

4

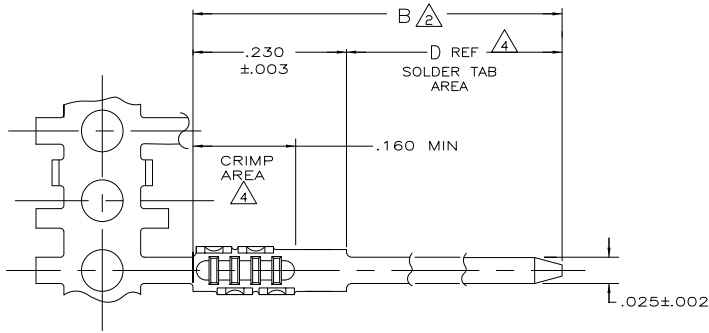
3

2

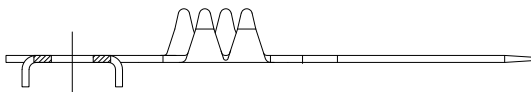
1

THIS DRAWING IS UNPUBLISHED. RELEASED FOR PUBLICATION
 © COPYRIGHT BY TYCO ELECTRONICS CORPORATION. ALL RIGHTS RESERVED.

LOC	DIST	REVISIONS					
GP	00	P	LTR	DESCRIPTION	DATE	MIN	APD
		L		REVISED PER ECO-10-007528	22APR2010	CJV	CWR



- △ BRIGHT TIN-LEAD .000100 MIN THK OVER NICKEL ON ENTIRE CONTACT.
- △ .000050 MIN THK NICKEL OVER ENTIRE CONTACT.
- 3. RECOMMENDED HOLE SIZE: .030-.034 DIA.
- △ GOLD FLASH IN CRIMP AREA, .000100 MIN TIN IN SOLDER TAB AREA, BOTH OVER NICKEL.



.210	.440	△△	1-487137-1
.210	.440	△△	487137-8
D	B	FINISH	PART NO

THIS DRAWING IS A CONTROLLED DOCUMENT.		DR: D. CHIPPES 3-10-06	Tyco Electronics Corporation Harrisburg, PA 17105-3608	
DIMENSIONS: INCHES		OK: 2-11-06	Tyco Electronics	
OTHER DIMENSIONS: MILLIMETERS		D. SINK	CONTACT, SOLDER TAB, FFC	
D. PLG ± .005		PRODUCT SPEC: 108-9024	RESTRICTED TO: -	
D. PLG ± .005		APPLICATION SPEC: 114-16015	SIZE: A2	CAGE CODE: 00779
D. PLG ± .005		FINISH: SEE TABLE	DRAWING NO: C=487137	
D. PLG ± .005		MATERIAL: PHOS-BRONZE	SCALE: NTS	
D. PLG ± .005		FINISH: SEE TABLE	SHEET: 1 of 1	
D. PLG ± .005		FINISH: SEE TABLE	REV: L	
D. PLG ± .005		FINISH: SEE TABLE	CUSTOMER DRAWING	

AMP 1471-9 REV 31MM2000

487137

B

A