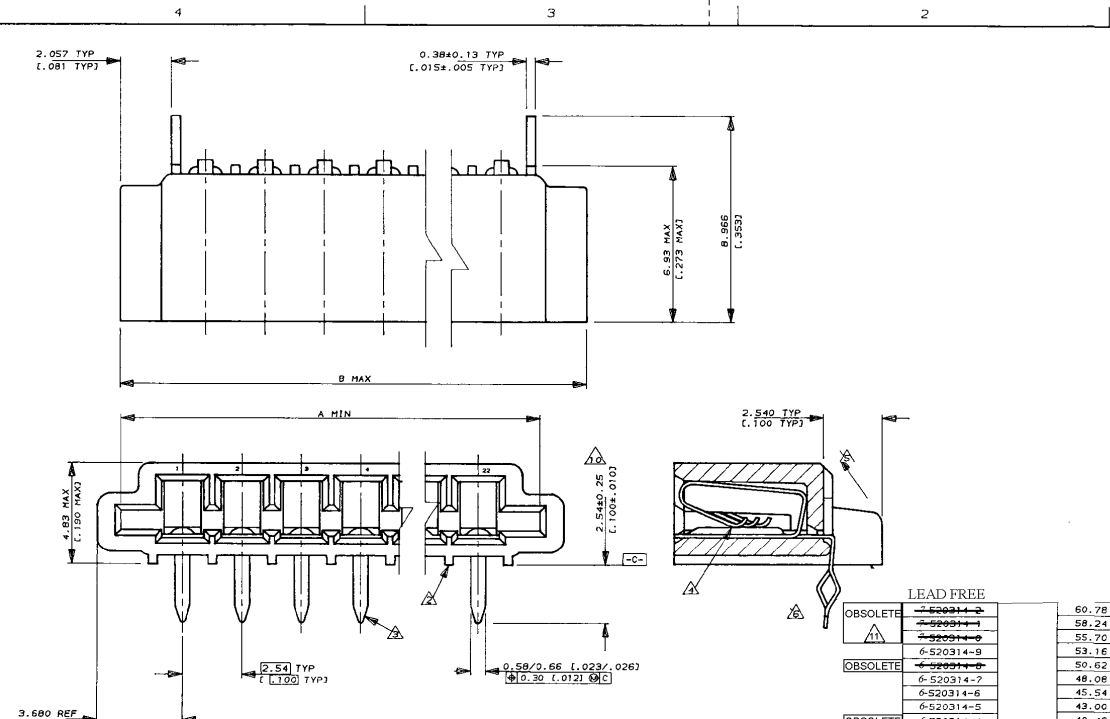


NUMBER 520314  
 METRIC  
 DIMENSIONS IN MM (INCHES). DO NOT SCALE PRINT  
 PRINT LIST



- NOTES**
- CONNECTOR WILL ACCEPT FLEXIBLE PRINTED CIRCUIT OR FLAT FLEXIBLE CABLE ON 2.54 (.100) CENTERS IN A THICKNESS RANGE OF 0.127 TO 0.381 (.005 TO .015) IN CONTACT AREA
  - STAND-OFFS PREVENT SOLVENT ENTRAPMENT
  - LEAD-IN ON PINS FOR EASE OF INSERTION INTO BOARD
  - SEQUENTIAL CONTACTS REDUCE CABLE INSERTION FORCE
  - STABILIZING WING MAY BE REMOVED BY CUSTOMER IF NECESSARY
  - ALTERNATING CONTACT FORM RETAINS CONNECTOR IN P.C. BOARD DURING SOLDER OPERATION
  - ACCEPTS CABLE OR CIRCUITRY WITH EXPOSED CONDUCTORS FACING TOWARD OR AWAY FROM THE BOARD SURFACE
  - REFER TO APPLICATION SPEC 114-2062
  - MATERIAL HOUSING - GLASS REINFORCED POLYESTER THERMOPLASTIC UL 94 V0 RATED, BLACK CONTACT - PHOS BRONZE WITH MATTE TIN FINISH
  - AREA INDICATED SHALL MEET SOLDERABILITY SPEC 109-11-1
  - OBSOLETE PARTS: OBSOLETE CIS STREAMLINING PER D.RENAUD/D.SINISI

LEAD FREE	SUPERSEDED	
6-520314-1	60.78 ( 2.393)	22 2-520314-2
6-520314-2	58.24 ( 2.293)	21 2-520314-1
6-520314-3	55.70 ( 2.193)	20 2-520314-0
6-520314-4	53.16 ( 2.093)	19 1-520314-9
6-520314-5	50.62 ( 1.993)	18 1-520314-8
6-520314-6	48.08 ( 1.893)	17 1-520314-7
6-520314-7	45.54 ( 1.793)	16 1-520314-6
6-520314-8	43.00 ( 1.693)	15 1-520314-5
6-520314-9	40.46 ( 1.593)	14 1-520314-4
6-520314-10	37.92 ( 1.493)	13 1-520314-3
6-520314-11	35.38 ( 1.393)	12 1-520314-2
6-520314-12	32.84 ( 1.293)	11 1-520314-1
6-520314-13	30.30 ( 1.193)	10 1-520314-0
6-520314-14	27.76 ( 1.093)	9 520314-9
6-520314-15	25.22 ( .993)	8 520314-8
6-520314-16	22.68 ( .893)	7 520314-7
6-520314-17	20.14 ( .793)	6 520314-6
6-520314-18	17.60 ( .693)	5 520314-5
6-520314-19	15.06 ( .593)	4 520314-4
6-520314-20	12.52 ( .493)	3 520314-3
6-520314-21	9.98 ( .393)	2 520314-2

Copyright ©1993		Copyright ©1993		TE Pcs (S) PTE LTD.		TE Connectivity	
S3 ECR-10-022530		KK	HMR	07FEB11			
S2 ECO-10-000445		KK	AEG	11JAN10			
S1 REVISED AS PER ECR-06-04332		PM	KS	21FEB06			
S REVISED FR000-0011-04		SD	PCH	19FEB04			
R REVISED DY/EC/0410		LWY	SL	13.12.93			
Q REDRAWN DY/EC/07B4		LWY	SL	30.7.93			
LTR (REVISION RECORD)		DR	CHK	DATE			

WIRE RANGE	(INSULATION DIA.)	(NAME)
mm <sup>2</sup> (AWG -)	mm <sup>2</sup>	TRIOMATE HORIZONTAL CABLE ENTRY
(MATERIAL)	(FINISH) CONTACTS MATTE TIN/LEAD PLATED	FOR 1.57 [0.062] THK P.C. BOARD
DR: WYLEE 30.7.93	DE: A. SCH	(GENERAL TOLERANCES) ±.38
CHK: SALLY 30.7.93	APP: PETER de JONG	SIZE LOC (No.) A3 DY 520314
		(SCALED) 6:1 REV. S3 SHEET 1 OF 1

(CUSTOMER DRAWING)