

4

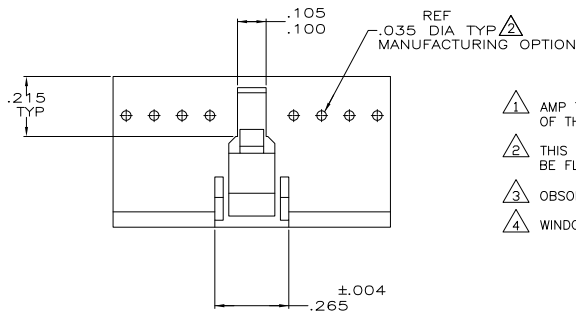
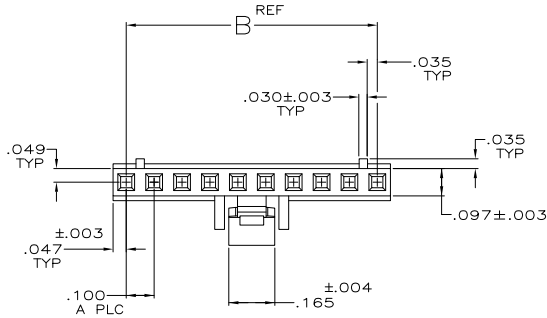
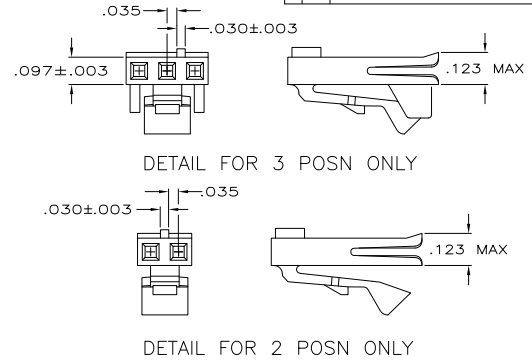
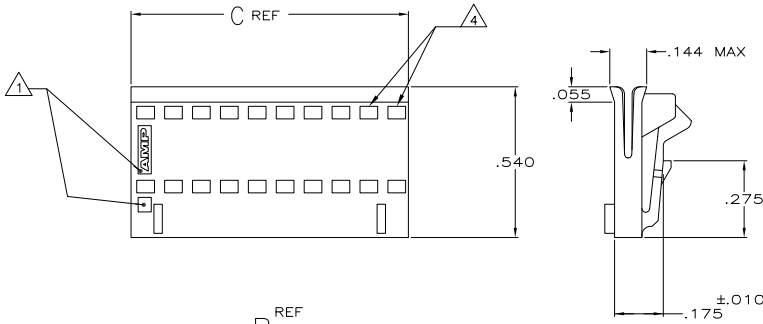
3

2

1

THIS DRAWING IS UNPUBLISHED. RELEASED FOR PUBLICATION. ALL RIGHTS RESERVED.

LOC	DIST	REVISIONS					
GP	00	P	LTR	DESCRIPTION	DATE	MIN	APVD
		AA		REVISED PER ECO-11-017188	06DEC2011		CJV/CWR



- 1 AMP TRADEMARK AND MOLD CAVITY IDENTIFICATION LOCATED AT EITHER END OF THE HOUSING IN APPROXIMATE AREA SHOWN.
- 2 THIS HOLE IS FOR MOLDING PURPOSES ONLY AND MAY BE FLASHED OVER.
- 3 OBSOLETE PARTS: OBSOLETE CIS STREAMLINING PER D.RENAUD/D.SINISI.
- 4 WINDOWS MAY OR MAY NOT BE PRESENT ON THIS END OF THE HOUSING.

2.494	2.400	24	25	2-487526-4
2.394	2.300	23	24	2-487526-3
3 OBSOLETE 2.294	2.200	22	23	2-487526-2
2.194	2.100	21	22	2-487526-1
3 OBSOLETE 2.094	2.000	20	21	2-487526-0
1.994	1.900	19	20	1-487526-9
1.894	1.800	18	19	1-487526-8
1.794	1.700	17	18	1-487526-7
1.694	1.600	16	17	1-487526-6
1.594	1.500	15	16	1-487526-5
1.494	1.400	14	15	1-487526-4
1.394	1.300	13	14	1-487526-3
1.294	1.200	12	13	1-487526-2
1.194	1.100	11	12	1-487526-1
1.094	1.000	10	11	1-487526-0
.994	.900	9	10	487526-9
.894	.800	8	9	487526-8
.794	.700	7	8	487526-7
.694	.600	6	7	487526-6
.594	.500	5	6	487526-5
.494	.400	4	5	487526-4
.394	.300	3	4	487526-3
.294	.200	2	3	487526-2
.194	.100	1	2	487526-1
C REF	B	A	NO OF POSNS	PRODUCT PART NO

THIS DRAWING IS A CONTROLLED DOCUMENT. DIM: P. BERRY 12-11-85; OK: D. DOLLYHIGH 12-13-85; PPG: -

DIMENSIONS: INCHES	TOLERANCES UNLESS OTHERWISE SPECIFIED:	PRODUCT SPEC: 108-9024	SIZE: A2	CAGE CODE: 00779	DRAWING NO: C=487526	RESTRICTED TO: -
MATERIAL: THERMOPLASTIC	FINISH: -	APPLICATION SPEC: 114-16015	WEIGHT: -	SCALE: 4:1	SHEET: 1 of 1	REV: AA

CUSTOMER DRAWING