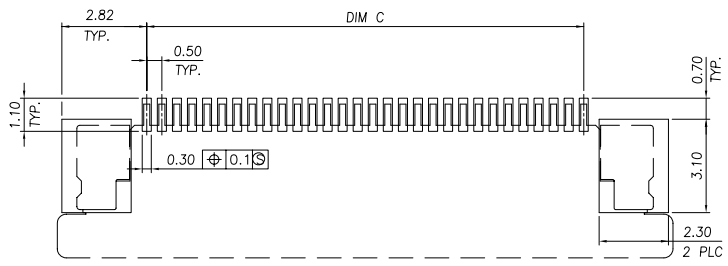
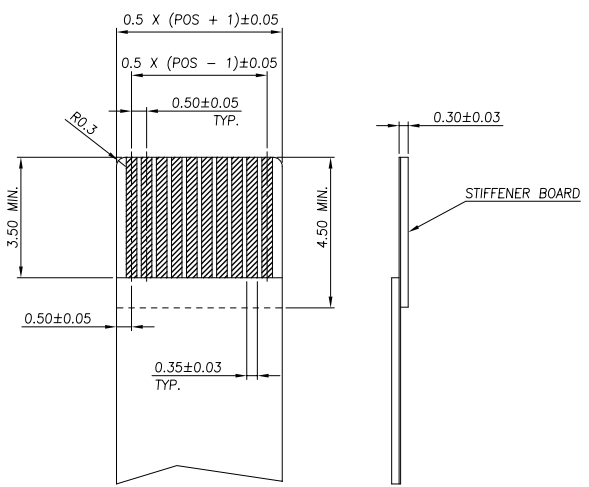


THIS DRAWING IS UNPUBLISHED. RELEASED FOR PUBLICATION AUG. 2006.
 © COPYRIGHT BY TYCO ELECTRONICS CORPORATION. ALL RIGHTS RESERVED.

LOC	DIST	REVISIONS			
P	LTR	DESCRIPTION	DATE	DWN	APVD
DW		SEE SHEET 1.			



RECOMMENDED PCB DIMENSIONS DIAGRAM
 TOLERANCE ± 0.05

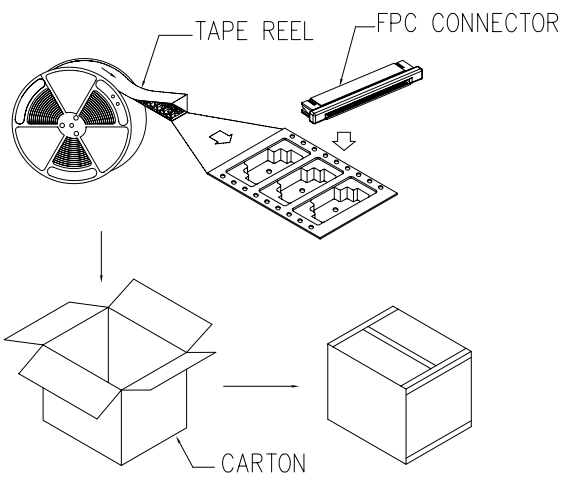
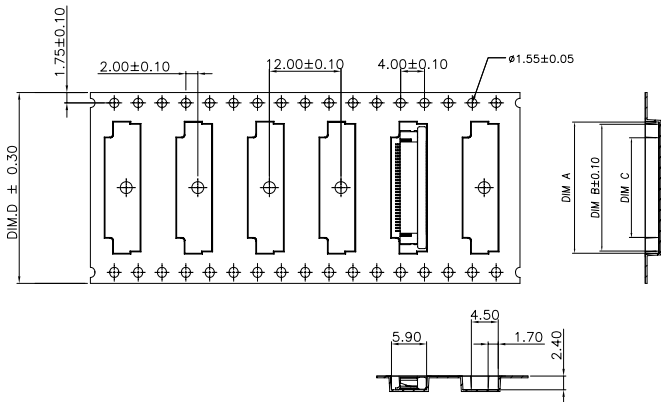


RECOMMENDED FPC DIMENSIONS DIAGRAM
 TOLERANCE ± 0.05

THIS DRAWING IS A CONTROLLED DOCUMENT.		DWN	TE TE Connectivity		
DIMENSIONS:		CHK			
MM	TOLERANCES UNLESS OTHERWISE SPECIFIED:	APVD	NAME		
0 PLC ± -	1 PLC ± 0.35	PRODUCT SPEC	FPC CONNECTOR, 0.5mm PITCH, BOTTOM CONTACT, SMT TYPE.		
2 PLC ± 0.25	3 PLC ± -	APPLICATION SPEC	SIZE	CAGE CODE	DRAWING NO
4 PLC ± -	ANGLES ± 3°	MATERIAL	A3	00779	C=1734592
FINISH		WEIGHT	CUSTOMER DRAWING		RESTRICTED TO
			SCALE	SHEET	REV
				2 of 3	B

THIS DRAWING IS UNPUBLISHED. RELEASED FOR PUBLICATION AUG. 2006.
 © COPYRIGHT BY TYCO ELECTRONICS CORPORATION. ALL RIGHTS RESERVED.

LOC	DIST	REVISIONS			
P	LTR	DESCRIPTION	DATE	DWN	APVD
SEE SHEET 1.					



NOTE :
 1. TAPE REEL:
 DIAMETER : 13", THICKNESS : 0.35±0.05mm.
 2. CARTON:
 SIZE : 350mm(L)X 350mm(W)X 340mm(H).

12000	2000	44.00	26.70	30.55	31.50	50
		44.00	26.20	30.05	31.00	49
		44.00	25.70	29.55	30.50	48
		44.00	25.20	29.05	30.00	47
		44.00	24.70	28.55	29.50	46
		44.00	24.20	28.05	29.00	45
		44.00	23.70	27.55	28.50	44
		44.00	23.20	27.05	28.00	43
		44.00	22.70	26.55	27.50	42
		44.00	22.20	26.05	27.00	41
44.00	21.70	25.55	26.50	40		
44.00	21.20	25.05	26.00	39		
44.00	20.70	24.55	25.50	38		
44.00	20.20	24.05	25.00	37		
44.00	19.70	23.55	24.50	36		
44.00	19.20	23.05	24.00	35		
44.00	18.70	22.55	23.50	34		
44.00	18.20	22.05	23.00	33		
44.00	17.70	21.55	22.50	32		
44.00	17.20	21.05	22.00	31		
32.00	16.70	20.55	21.50	30		
32.00	16.20	20.05	21.00	29		
32.00	15.70	19.55	20.50	28		
32.00	15.20	19.05	20.00	27		
32.00	14.70	18.55	19.50	26		
32.00	14.20	18.05	19.00	25		
32.00	13.70	17.55	18.50	24		
32.00	13.20	17.05	18.00	23		
32.00	12.70	16.55	17.50	22		
32.00	12.20	16.05	17.00	21		
24.00	11.70	15.55	16.50	20		
24.00	11.20	15.05	16.00	19		
24.00	10.70	14.55	15.50	18		
24.00	10.20	14.05	15.00	17		
24.00	9.70	13.55	14.50	16		
24.00	9.20	13.05	14.00	15		
24.00	8.70	12.55	13.50	14		
24.00	8.20	12.05	13.00	13		
24.00	7.70	11.55	12.50	12		
24.00	7.20	11.05	12.00	11		
24.00	6.70	10.55	11.50	10		
24.00	6.20	10.05	11.00	09		
24.00	5.70	9.55	10.50	08		
24.00	5.20	9.05	10.00	07		
24.00	4.70	8.55	9.50	06		
24.00	4.20	8.05	9.00	05		

THIS DRAWING IS A CONTROLLED DOCUMENT.		DWN		
DIMENSIONS:		CHK		
MM	TOLERANCES UNLESS OTHERWISE SPECIFIED:	APVD	NAME	
0 PLC	±	PRODUCT SPEC	FPC CONNECTOR, 0.5mm PITCH, BOTTOM CONTACT, SMT TYPE.	
1 PLC	±	APPLICATION SPEC	SIZE	CAGE CODE
2 PLC	±		A3	00779
3 PLC	±		DRAWING NO	©=1734592
4 PLC	±		RESTRICTED TO	
ANGLES	±	WEIGHT	CUSTOMER DRAWING	
MATERIAL	FINISH	SCALE	SHEET	REV
			3 of 3	B

STE TE Connectivity

SCALE: — SHEET: 3 of 3 REV: B