

4

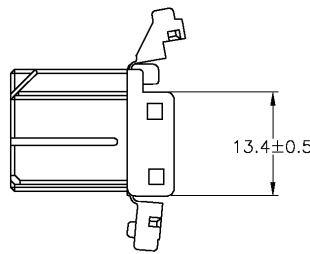
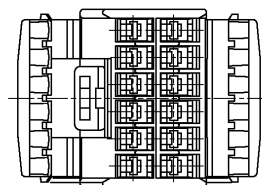
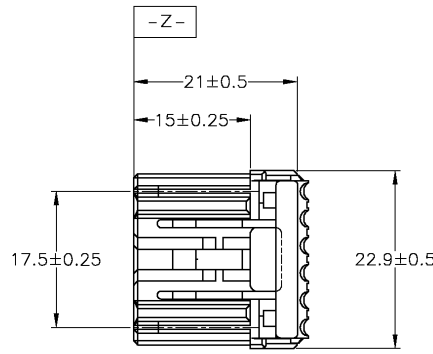
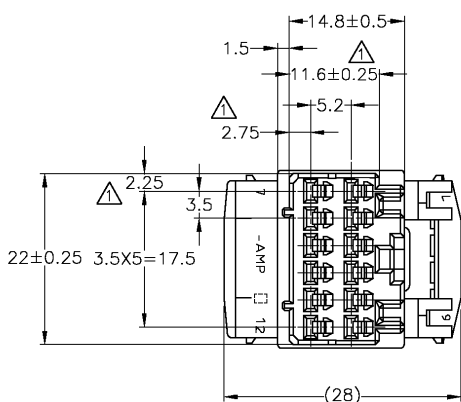
3

2

1

THIS DRAWING IS UNPUBLISHED. RELEASED FOR PUBLICATION
 © COPYRIGHT - BY TYCO ELECTRONICS CORPORATION. ALL RIGHTS RESERVED.

LOC		DIST		REVISIONS			
P	LTR	DESCRIPTION		DATE	DWN	APVD	
B		REDRAWN W/CHANGE		FJA0-0046-04	12FEB2004	Y.S	Y.F



△ MUST BE KEPT BETWEEN **-Z-** AND 2mm.
 2. THE MATING CAP HSG PART NUMBER; 175444, 175448
 3. APPLIED CONTACT PART NUMBER; 173630, 173631

△ **-Z-** 面より 2mm の範囲で測定。
 2. 嵌合相手ハウジング型番; 175444, 175448
 3. 内装するコンタクト型番; 173630, 173631

ORANGE	917635-8
GRAY	917635-6
BLUE	917635-1
COLOR	PART NUMBER

THIS DRAWING IS A CONTROLLED DOCUMENT.		DWN	Y.SAKURAI	12FEB2004	 Tyco Electronics AMP K.K. Kawasaki, Japan
DIMENSIONS: 単位: 種 MM		CHK	E.TAKIZAWA	12FEB2004	
TOLERANCES UNLESS OTHERWISE SPECIFIED: 一般公差 0-PLC ± 0.2 1-PLC ± 0.2 2-PLC ± 0.2 3-PLC ± 0.2 4-PLC ± 0.2 ANGLES ± 3°		APVD	Y.FUJIWARA	12FEB2004	
MATERIAL: PBT		FINISH: 仕上		NAME: 12POSITION PLUG HOUSING 名称: 040 / 070 SERIES HYBRID I/O CONNECTOR PRODUCT SPEC: 108-5280 APPLICATION SPEC: 取付適用規格	
		WEIGHT	4.5g	SIZE: A3	CAGE CODE: 00779
		CUSTOMER DRAWING		DRAWING NO: 917635	RESTRICTED TO: -
		SCALE: 尺度	2:1	SHEET: 1 of 1	REV: B

AMP 1470-19 REV 31MAR2000

22JAN2004 4:55pm FJ029188