

**.040II/.070II HD Hybrid I/O Connector for Wire-to-Board Termination**プリント基板用 .040II/.070II HD ハイブリッド I/O コネクタ

---

Following first 13 pages are English version and last 12 pages are Japanese version. This top sheet is not part of the specification but explains both of English and Japanese versions are available.

このトップシートに続く最初の 13 ページは英語版で、その後の 12 ページは日本語版です。このトップシートは、規格には含まれませんが、英語、日本語両方があることを説明しています。

108-5441

NUMBER:

Customer Release

SECURITY CLASSIFICATION:

**DESIGN OBJECTIVES**

The product described in this document has not been fully tested to ensure conformance to the requirements outlined below. Therefore, AMP (Japan), Ltd makes no representation or warranty, express or implied, that the product will comply with these requirements. Further, AMP (Japan), Ltd. may change these requirements based on the results of additional testing and evaluation. Contact AMP Engineering for further details.

In case when "product specification" is referred to in this document, it should be read as "design objectives" for all times as applicable.

**108-5441**

**Design Objectives**

**.040II / .070II HD Hybrid I / O Connector  
for Wire-to-Board Termination**

1. Scope :

1.1 Contents :

This specification covers the requirements for product performance, test methods and quality assurance provisions of .040II / .070II HD Hybrid I / O Connector for Wire-to-Board Termination. Applicable product descriptions and part numbers are as shown in Appendix 1.

2. Applicable Documents :

The following documents form a part of this specification to the extent specified herein. In the event of conflict between the requirements of this specification and the product drawing, the product drawing shall take precedence. In the event of conflict between the requirements of this specification and the referenced documents, this specification shall take precedence.

2.1 AMP Specifications :

- A. 109-5000 Test Specification, General Requirements for Test Methods  
Application Specification.
- B. 114-5159 Crimping .040II Series Receptacle & Tab Contact
- 114-5160 Crimping .070II Series Receptacle & Tab Contact

PRINT	DIST.	01	REVISED	FJOC-1148-00	AY	AB	07/29/95	APP.	NAME	<p><b>AMP</b> Tyco Electronics AMP K.K.</p>			
										DR.	7/19/95	SHEET	1
LTR	REVISION RECORD	DR	CHK	DATE	SS	JK	7/19/95	APP.	NAME	<p>.040II / .070II HD Hybrid I / O Connector for Wire-to-Board Termination</p>			
										<p>7/19/95</p> <p><i>[Signature]</i></p> <p>7/19/95</p> <p><i>[Signature]</i></p> <p>8/10/95</p> <p><i>[Signature]</i></p>			

NUMBER: 108-5441

SECURITY CLASSIFICATION: Customer Release

2.2 Commercial Standards and Specifications :

- A. JASO D605 Multi-pole Connector for Automobiles
- B. JASO D7101 Test Methods for Plastic Molded Parts
- C. JIS C3406 Low Voltage Wires and Cables for Automobiles
- D. JIS D0203 Method of Moisture, Rain and Spray Test for Automobile Parts
- E. JIS D0204 Method of High and Low Temperature Test for Automobile Parts
- F. JIS D1601 Vibration Testing Method for Automobile Parts
- G. JIS R5210 Portland Cement
- H. MIL-STD-202 Testing Method 208 : Method of Soldering

3. Requirements :

3.1 Design and Construction :

Product shall be of the design, construction and physical dimensions specified in the applicable product drawing.

3.2 Materials :

A. Contact :

- a. Receptacle Contact : Pre-tinned brass or pre-tinned phosphor bronze
- b. Tab Contact : Pre-tinned brass

B. Housing : PBT resin

3.3 Ratings :

A. Temperature Rating : - 30 °C to 105 °C

3.4 Performance and Test Descriptions :

The product shall be designed to meet the electrical, mechanical and environmental performance requirements specified in Fig. 2. All tests shall be performed in the room temperature, unless otherwise specified.

SHEET		<b>AMP</b> Tyco Electronics AMP K.K.		
2 OF 13	LOC J	LOC A	NO. 108-5441	REV. 01
NAME .040II / .070II HD Hybrid I / O Connector for Wire-to-Board Termination				

NUMBER: 108-5441	3.5 Test Requirements and Procedures Summary :			
	Para.	Test Items	Requirements	Procedures
	3.5.1	Confirmation of Product	Product shall be conforming to the requirements of applicable product drawing and Application Specification. No. 114-5159, 114-5160	Visually, dimensionally and functionally inspected per applicable quality inspection plan.
	Electrical Requirements			
SECURITY CLASSIFICATION: Customer Release	3.5.2	Termination Resistance (Specified Current)	(.040 II) 5 mΩ Max. (Initial) 10 mΩ Max. (Final) (.070 II) 5 mΩ Max. (Initial) 10 mΩ Max. (Final)	Measure initial millivolt drop of contact test circuit in mated connectors, Fig. 3 AMP Spec. 109-5311-2
	3.5.3	Termination Resistance (Low Level)	(.040 II) 5 mΩ Max. (Initial) 10 mΩ Max. (Final) (.070 II) 5 mΩ Max. (Initial) 10 mΩ Max. (Final)	Subject mated contacts assembled in housing to closed circuit current of 10 mA and 1 mA at open circuit voltage of 20 mV Max. Fig. 3 AMP Spec. 109-5311-1
	3.5.4	Dielectric Strength	No creeping discharge nor flashover shall occur.	1 kVAC for 1 minute. Test between adjacent circuits of mated connectors. AMP Spec. 109-5301, Fig. 4
	3.5.5	Insulation Resistance	100 MΩ Min.	Impressed voltage 500 V DC. Test between adjacent circuits of mated connectors. AMP Spec. 109-5302, Fig. 4
	3.5.6	Current Leakage	1 mA Max.	12 V DC impressed 1 min. AMP Spec. 109-5312, Fig. 5
	3.5.7	Temperature Rising	Represent interrelative characteristics between temperature rising of energized contact crimp vs. current intensity in graph. No abnormal temperature rising shall take place.	Measure temperature rising by energized current. (Measure until the temperature rising reaches 80 °C.)

Fig. 1 (To be continued)

SHEET	<b>AMP</b> Tyco Electronics AMP K.K.		
3 OF 13	LOC J	LOC A	NO. 108-5441
REV. 01			
NAME .040II/.070II HD Hybrid I/O Connector for Wire-to-Board Termination			

SECURITY CLASSIFICATION:	Customer Release	NUMBER:	108-5441	Para.	Test Items	Requirements	Procedures								
				3.5.8	Current Cycling	Termination Resistance (Low Level) (.040 II) 10 mΩ Max. (Final) (.070 II) 10 mΩ Max. (Final) No ignition is allowed during the test. Temperature rise in the terminal press point area shall be 20°C Max.	45 minutes "ON", 15 minutes "OFF", Repeat 1000 cycles. Current intensity shall cause temperature rising up to 70 °C. Measure the value at every 100th. cycle of the test. AMP Spec. 108-5308								
Physical Requirements															
SECURITY CLASSIFICATION:	Customer Release	NUMBER:	108-5441	3.5.9	Vibration (High Frequency)	No electrical discontinuity greater than 1 msec. shall occur. Termination Resistance (Specified Current) (.040 II) 10 mΩ Max. (Final) (.070 II) 10 mΩ Max. (Final)	Vibration Frequency : 20~400~20 Hz/6 minutes Accelerated Velocity : 43.1 m / s <sup>2</sup> (4.4 G) <table border="1" style="display: inline-table; vertical-align: middle;"> <tr> <td>Vibration Direction</td> <td>Up and Down</td> <td>Back and Forth</td> <td>Right and Left</td> </tr> <tr> <td>Directions</td> <td>3 hours</td> <td>3 hours</td> <td>3 hours</td> </tr> </table> AMP Spec. 109-5202, Fig. 6	Vibration Direction	Up and Down	Back and Forth	Right and Left	Directions	3 hours	3 hours	3 hours
				Vibration Direction	Up and Down	Back and Forth	Right and Left								
Directions	3 hours	3 hours	3 hours												
3.5.10	Contact Mating Force	.040 II Series : 4.9 N Max. .070 II Series : 9.8 N Max.	Operation Speed : 100 mm / min. Measure the force required to mate contacts. AMP Spec. 109-5206												
3.5.11	Contact Unmating Force	.040 II Series : 0.98 N Min. .070 II Series : 0.98 N Min.	Operation Speed : 100 mm / min. Measure the force required to unmake contacts. AMP Spec. 109-5206												
3.5.12	Connector Mating Force	16 Pos. 147 N Max. 25 Pos. 147 N Max. 31 Pos. 147 N Max. 32 Pos. 147 N Max.	Operation Speed : 100 mm / min. Measure the force required to mate connectors. AMP Spec. 109-5206												

Fig. 1 (To be continued)

SHEET	<b>AMP</b> Tyco Electronics AMP K.K.			
4 OF 13	LOC J	LOC A	NO. 108-5441	REV. 01
NAME .040II / .070II HD Hybrid I/O Connector for Wire-to-Board Termination				



Para.	Test Items	Requirements	Procedures
3.5.21	Solderability	Wet Solder Coverage : 95% Min.	Solder Temperature : $230 \pm 5$ °C Immersion Duration : $3 \pm 0.5$ seconds Flux : Alpha 100 AMP spec. 109-5203
3.5.22	Handling Ergonomics	No abnormalities allowed in manual mating / unmating handling.	Manually operated
3.5.23	Insertion Force of Housing Unit	29.4 N      Max.	Operation Speed : 100 mm/min. Measure the force required to mate housing unit. AMP Spec. 109-5206
3.5.24	Connector Locking Strength	98 N      Min.	Operation Speed : 100 mm/min. Measure connector locking strength. AMP Spec. 109-5210
3.5.25	Reverse Insertion of Housing	Shall not be inserted the other way.	Operation Speed : 100 mm/min. Attempt to mate in the direction other than normal mating by applying the force of 294 N
3.5.26	Reverse Insertion of Terminal	Shall not be inserted the other way.	Operation Speed : 100 mm/min. Attempt to load the contact in the direction other than normal way by applying the for of 49 N
3.5.27	Releasing Force of Lock	49 N      Max.	Operation Speed : 100 mm/min. Measure releasing force of lock.
3.5.28	Terminal Secondary Locking Mechanism	Double lock plate can't be fitting in a regular position.	Operation Speed : 100 mm/min. Place one contact in housing in the half-inserted position, and push in the double lock place with the force of 49 N
3.5.29	Fitting Force of Double Lock Plate	29 N      Max.	Operation Speed : 100 mm/min. Measure r the fitting force of double lock plate.

Fig. 1 (To be continued)

SHEET	<b>AMP</b> Tyco Electronics AMP K.K.		
6 OF 13	LOC J	LOC A	NO. 108-5441
REV. 01			
NAME .040II / .070II HD Hybrid I/O Connector for Wire-to-Board Termination			

108-5441

NUMBER :

Customer Release

SECURITY CLASSIFICATION :

NUMBER : 108-5441  Customer Release  SECURITY CLASSIFICATION :	Para.	Test Items	Requirements	Procedures
	3.5.30	Separation Force of Double Lock Plate	29 N Min.	Operation Speed : 100 mm/min. Measurer the separation force of double lock plate.
	Environmental Requirements			
	3.5.31	Thermal Shock	Termination Resistance (Low Level) : (.040 II ) 10 mΩ Max. (Final) (.070 II ) 10 mΩ Max. (Final)	- 40 °C / 60 min., 100 °C / 60 min. Making this a cycle, repeat for 200 cycles. AMP Spec. 109-5103
	3.5.32	Humidity, Steady State	Insulation Resistance : 100 MΩ Min. Termination Resistance (Low Level) : (.040 II ) 10 mΩ Max. (Final) (.070 II ) 10 mΩ Max. (Final)	Mated Connector, 90~95 % R.H., 60 °C 96 hours AMP Spec. 109-5105
	3.5.33	Industrial Gas (SO <sub>2</sub> )	Termination Resistance (Low Level) : (.040 II ) 10 mΩ Max. (Final) (.070 II ) 10 mΩ Max. (Final)	SO <sub>2</sub> Gas : 10 ppm, 90~95 % R.H. 40 °C, 24 hours AMP Spec. 109-5107
	3.5.34	Temperature Life (Heat Aging)	Termination Resistance (Low Level) : (.040 II ) 10 mΩ Max. (Final) (.070 II ) 10 mΩ Max. (Final)	100 °C, Duration : 120 hours AMP Spec. 109-5104
3.5.35	Resistance to Cold	Termination Resistance (Low Level) : (.040 II ) 10 mΩ Max. (Final) (.070 II ) 10 mΩ Max. (Final)	- 40 °C ± 5 °C, 120 hours AMP Spec. 109-5108 After test conditioning, take out several samples from the test chamber, and instantly let them drop one after one onto the iron plate of 5 mm min. in thickness from the height of 1 meter. (Wire length : 300 mm)	

Fig. 1 (To be continued)

SHEET	<b>AMP</b> Tyco Electronics AMP K.K.			
7 OF 13	LOC J	LOC A	NO. 108-5441	REV. 01
NAME .040II / .070II HD Hybrid I/O Connector for Wire-to-Board Termination				



SECURITY CLASSIFICATION: Customer Release	NUMBER: 108-5441	Para.	Test Items	Requirements	Procedures
		3.5.37	Resistance to Oil	Termination Resistance (Specified Current): (.040 II) 10 mΩ Max. (Final) (.070 II) 10 mΩ Max. (Final)	Immerse the connector in the engine oil mixture of SAE 10W or equivalent and kerosene conforming to JIS K 2203 (Kerosene) K No. 2 in equal quantity kept at 50 ± 2 °C for 20 hours.
		3.5.38	Cyclic Endurance I	Termination Resistance (Specified Current): (.040 II) 10 mΩ Max. (Final) (.070 II) 10 mΩ Max. (Final) Temperature rise in the terminal press point area shall be 20 °C Max.	Test Sequence (1) 3.5.8 Current Cycling (200 cycles) Fig. 8 (2) 3.5.20 Resistance to "Kojiri" (3) 3.5.8 Current Cycling (300 cycles) Fig. 8
3.5.39	Cyclic Endurance II	Termination Resistance (Specified Current): (.040 II) 10 mΩ Max. (Final) (.070 II) 10 mΩ Max. (Final) Temperature rise in the terminal press point area shall be 20 °C Max.	Test Sequence (1) 3.5.20 Resistance to "Kojiri" (2) 3.5.8 Current Cycling (300 cycles) Fig. 8 3.5.9 Vibration		

Fig. 1 (End)

SHEET	<b>AMP</b> Tyco Electronics AMP K.K.			
8 OF 13	LOC J	LOC A	NO. 108-5441	REV. 01
NAME .040II / .070II HD Hybrid I/O Connector for Wire-to-Board Termination				

## 3.6 Product Qualification Test Sequence

Test Items	Test Group									
	1	2	3	4	5	6	7	8	9	10
	Test Sequence (a)									
Confirmation of Product	1	1	1	1	1	1	1, 3	1, 5	1, 5	1, 5
Termination Resistance (Rated Current)										
Termination Resistance (Low Level)								2, 4	2, 4	2, 4
Dielectric Strength						4				
Insulation Resistance						3				
Current Leakage						5				
Temperature Rising							2			
Current Cycling										
Insertion Force of Housing Unit		3								
Reverse Insertion of Housing				5						
Reverse Insertion of Terminal				3						
Vibration (High Frequency)										
Releasing Force of Lock				4						
Contact Mating Force	2									
Contact Unmating Force	3									
Connector Mating Force					2					
Connector Unmating Force			4							
Connector Locking Strength					3					
Contact Insertion Force				2						
Contact Retention Force		2						6		
Contact Retention Force (Double Lock)		5								
Crimp Tensile Strength	5									
Durability (Repeated Mate/Unmating)										
Housing Locking Strength		4								
Resistance to "Kojiri"										
Solderability						2				
Handling Ergonomics						6				
Terminal Secondary Locking Mechanism	4									
Fitting Force of DBL Lock Plate			2							
Separation Force of DBL Lock Plate			3							
Thermal Shock										3
Humidity, Steady State										
Industrial Gas (SO <sub>2</sub> )										
Temperature Life (Heat Aging)							3			
Resistance to Cold									3	
Resistance to Oil										
Dust Bombardment										
Cyclic Endurance I										
Cyclic Endurance II										

(a) Numbers indicate sequence in which tests are performed.

Fig. 2 (1/2)

SHEET	<b>AMP</b> Tyco Electronics AMP K.K.			
9 OF 13	LOC J	LOC A	NO. 108-5441	REV. 01
NAME .040II / .070II IID Hybrid I / O Connector for Wire-to-Board Termination				

NUMBER: 108-5441

SECURITY CLASSIFICATION:

Customer Release

SECURITY CLASSIFICATION:

NUMBER: 108-5441

SECURITY CLASSIFICATION:

Customer Release

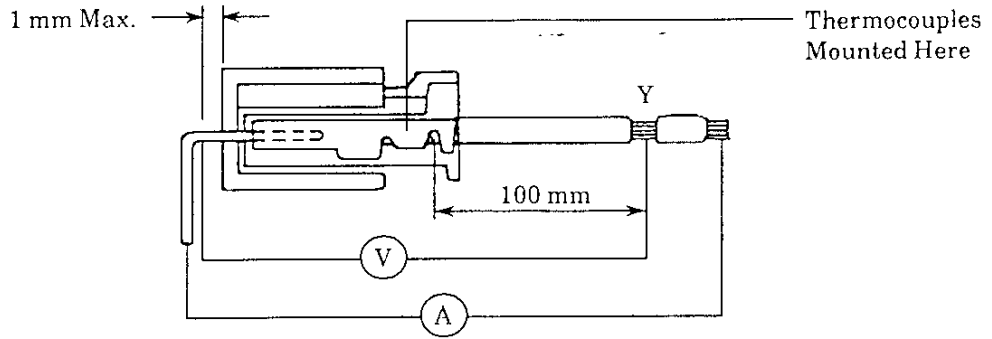
Test Items	Test Group									
	11	12	13	14	15	16	17	18	19	20
	Test Sequence (a)									
Confirmation of Product	1, 8	1, 5	1, 5	1, 5	1, 5	1, 5	1, 5	1, 5	1, 5	1, 5
Termination Resistance (Rated Current)			2, 4	2, 4	2, 4	2, 4	2, 4		2, 4	2, 4
Termination Resistance (Low Level)	2, 4	2, 4						2, 4		
Dielectric Strength	6									
Insulation Resistance	5									
Current Leakage	7									
Temperature Rising										
Current Cycling		3								
Insertion Force of Housing Unit										
Reverse Insertion of Housing										
Reverse Insertion of Terminal										
Vibration (High Frequency)					3					
Releasing Force of Lock										
Contact Mating Force										
Contact Unmating Force										
Connector Mating Force										
Connector Unmating Force										
Connector Locking Strength	9									6
Contact Insertion Force										
Contact Retention Force	10									7
Contact Retention Force (Double Lock)										
Crimp Tensile Strength										
Durability (Repeated Mate/Unmating)			3							
Housing Locking Strength										
Resistance to "Kojiri"				3						
Solderability										
Handling Ergonomics										
Terminal Secondary Locking Mechanism										
Fitting Force of DBL Lock Plate										
Separation Force of DBL Lock Plate										
Thermal Shock										
Humidity, Steady State	3									
Industrial Gas (SO <sub>2</sub> )								3		
Temperature Life (Heat Aging)										
Resistance to Cold										
Resistance to Oil						3				
Dust Bombardment							3			
Cyclic Endurance I									3	
Cyclic Endurance II										3

(a) Numbers indicate sequence in which tests are performed.

Fig. 2 (2/2)

SHEET	<b>AMP</b> Tyco Electronics AMP K.K.		
10 OF 13	LOC J	LOC A	NO. 108-5441
NAME			REV. 01
.040II / .070II HD Hybrid I/O Connector for Wire-to-Board Termination			

NUMBER: 108-5441  
 SECURITY CLASSIFICATION: Customer Release



From the measured readings, deduct the resistance of the 100 mm long wire used for termination. When testing for rated current measurement, apply 12 V DC, 1 A to the circuit. For obtaining uniformity of the current density on the probing points Y, apply soldering on the probing points prior to testing.

Fig. 3 Measurement of Termination Resistance

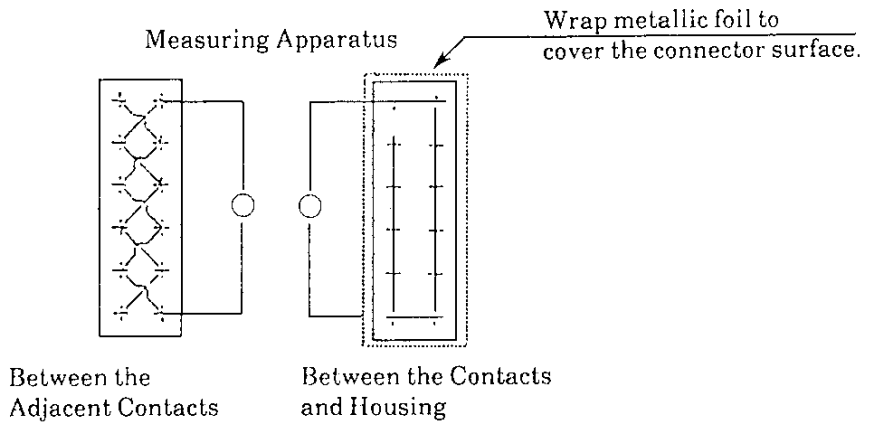


Fig. 4

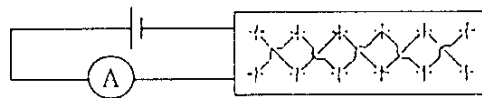


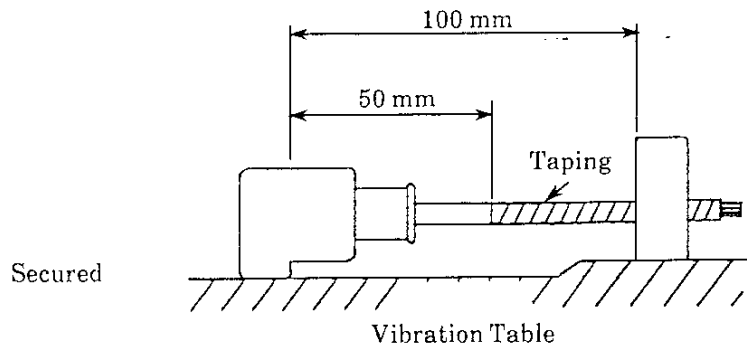
Fig. 5

SHEET	<b>AMP</b> Tyco Electronics AMP K.K.			
11 OF 13	LOC J	LOC A	NO. 108-5441	REV. 01
NAME .040II / .070II HD Hybrid I / O Connector for Wire-to-Board Termination				

NUMBER: 108-5441

SECURITY CLASSIFICATION:

Customer Release



Remarks: Apply taping in the manner of half-overlapped rounds from the position 50 mm apart from the tip end of the contact.

Fig. 6

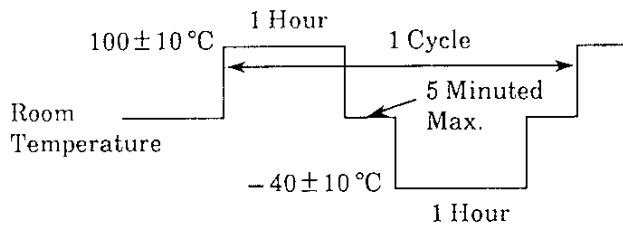


Fig. 7

Temperature °C	Humidity %	Temperature Rise °C
60	65~70	Current intensity that raises to 60 °C

Fig. 8

SHEET 12 OF 13	<b>AMP</b> Tyco Electronics AMP K.K.			REV. 01
	LOC J	LOC A	NO. 108-5441	
NAME .04011 / .07011 HD Hybrid I/O Connector for Wire-to-Board Termination				

The applicable product descriptions and part numbers are as shown in Appendix 1.

### Appendix 1

Prod.P/N	Description
179678	.040 II / .070 II HD Hybrid I/O Conn. 16Pos.Plug Hsg. Ass'y
179679	.040 II / .070 II HD Hybrid I/O Conn. 25Pos.Plug Hsg. Ass'y
179680	.040 II / .070 II HD Hybrid I/O Conn. 31Pos.Plug Hsg. Ass'y
179681	.040 II / .070 II HD Hybrid I/O Conn. 32Pos.Plug Hsg. Ass'y
179684	.040 II / .070 II HD Hybrid I/O Conn. 79Pos.Cap Hsg. Ass'y
179686	.040 II / .070 II HD Hybrid I/O Conn. 104Pos.Cap Hsg. Ass'y
175265	.040 II S Receptacle Contact ( Pre-Tin )
175268	.070 II S Receptacle Contact ( Pre-Tin )
175269	.070 II M Receptacle Contact ( Pre-Tin )

NUMBER: 108-5441

Customer Release

SECURITY CLASSIFICATION:

SHEET	<b>AMP</b> Tyco Electronics AMP K.K.		
13 OF 13	LOC J	LOC A	NO. 108-5441
REV. 01			
NAME .040II / .070II HD Hybrid I/O Connector for Wire-to-Board Termination			

社 内 標 準	<b>AMP</b>	適用事業所
管理基準： 一般顧客用	(技 術 標 準)...	タイコ エレクトロニクス アンブ株式会社

設計目標書

本製品は下記要件を満足するか否か未確認です。従って、本製品がこれら要件を満足することを保証するものではありません。また、これら要件は都合により変更する場合があります。詳細は、当社技術部にお問い合わせ下さい。

本書中に「本規格は」と引用している箇所はすべて「本設計目標書は」と読み換えて適用願います。

108-5441

設 計 目 標 書

プリント基板用 .040 II / .070 II HDハイブリッド I/O コネクタ

1. 適用範囲

1.1 内 容

本規格は、.040 II / .070 II HDハイブリッド I/O コネクタ電線対プリント基板用の製品性能、試験方法、品質保証の必要条件を規定している。  
適用製品名と型番は付表 1 の通りである。

2. 参考規格類

以下規格類は本規格中で規定する範囲内に於いて、本規格の一部を構成する。万一本規格と製品図面の間に不一致が生じた時は、製品図面を優先して適用すること。万一本規格と参考規格類の間に不一致が生じた時は、本規格を優先して適用すること。

2.1 AMP 規格

- A. 109-5000 : 試験法規格の一般必要条件  
              : 取付適用規格
- B. 114-5159 新 .040 II シリーズ・リセプタクル及びタブコンタクトの圧着条件
- 114-5160 新 .070 II シリーズ・リセプタクル及びタブコンタクトの圧着条件

						作成: 7/9/95 <i>S. Iwata</i>	分類: 設計目標書
						検閲: 7/19/95 <i>Y. Kishimoto</i>	コード: 108-5441
01	改定	FJ00-1148-00	AY DM AB	07/20/95		承認: 8/10/95 <i>K. Oota</i>	改訂 01
0	制定	FJ00-2281-95	SS YK KO	8/10/95		名称: プリント基板用 .040 II / .070 II HDハイブリッド I/O コネクタ	
改訂	改訂記録		作成	検閲	承認	年月日	
配布	年 月 日 制定		12 頁中 1 頁				

## 2.2 民間団体規格

- A. JASO D605 自動車多極コネクタ
- B. JASO D7101 プラスチック成形部品の試験方法
- C. JIS C3406 自動車用低圧電線
- D. JIS D0203 自動車部品の耐湿及び耐水試験方法
- E. JIS D0204 自動車部品の高温及び低温試験方法
- F. JIS D1601 自動車部品振動試験方法
- G. JIS R5210 ボルトランド・セメント
- H. MIL-STD-202 試験法 208: はんだ付け法

## 3. 一般必要条件

## 3.1 設計と構造

製品は該当製品図面に規定された設計、構造、物理的寸法をもって製造されていること。

## 3.2 材 料

## A. コンタクト：

- a. リセブタクルコンタクト：すずめっき済黄銅条、すずめっき済りん青銅条
- b. タブコンタクト：すずめっき済黄銅条

## B.ハウジング：PBT樹脂

## 3.3 定 格

## A. 温度定格：-30℃~105℃

## 3.4 性能必要条件と試験方法

製品は Fig. 2 に規定された電氣的、機械的、及び耐環境的性能必要条件に合致するよう設計されていること。試験は特別に規定されない限り室温下で行われること。

分類： 設計目標書	標準の名称： .040 II / .070 II HD ハイブリッド I/O コネクタ	標準のコード： 108-5441	改訂 01	2 頁 12 頁中
--------------	---	---------------------	----------	--------------



## 3.5 性能必要条件及び試験手順の要約

項目	試験項目	規 格 値	試 験 方 法
3.5.1	製品の確認検査	製品図面と AMP 取付適用規格 No. 114-5159, 114-5160 の必要条件に合致していること。	該当する検査基準書に基づいて目視、寸法、及び機能検査を行うこと。
電 気 的 性 能			
3.5.2	総合抵抗 (規定電流)	(.040 II) 5 mΩ 以下 (初期) 10 mΩ 以下 (終期) (.070 II) 5 mΩ 以下 (初期) 10 mΩ 以下 (終期)	嵌合したコネクタの試験用回路の初期電圧降下を測定、Fig. 3 参照。 AMP 規格 109-5311-2
3.5.3	総合抵抗 (ローレベル)	(.040 II) 5 mΩ 以下 (初期) 10 mΩ 以下 (終期) (.070 II) 5 mΩ 以下 (初期) 10 mΩ 以下 (終期)	ハウジングに組み込まれ嵌合したコンタクトを開路電圧 20 mV 以下、閉路電流 10 mA 及び 1 mA 以下の条件で測定する。Fig. 3 参照。 AMP 規格 109-5311-1
3.5.4	耐電圧	沿面放電、フラッシュオーバー等がないこと。	1 kVAC 1 分間印加 コネクタ嵌合あり 隣接コンタクト間で測定。 AMP 規格 109-5301 Fig. 4 参照。
3.5.5	絶縁抵抗	100 MΩ 以上	500 V DC 印加。 コネクタ嵌合あり 隣接コンタクト間で測定。 AMP 規格 109-5302 Fig. 4 参照。
3.5.6	リーク電流	1 mA 以下	12 V DC 印加 1 分間 AMP 規格 109-5312 Fig. 5 参照。
3.5.7	温度上昇	端子圧着部の上昇温度と通電電流との関係をグラフ化し、異常な温度上昇変化の無いこと。	通電による温度上昇を測定すること。(温度上昇値 80°C まで行う) AMP 規格 109-5310
3.5.8	電流サイクル	総合抵抗 (ローレベル) (.040 II) 10 mΩ 以下 (終期) (.070 II) 10 mΩ 以下 (終期) 試験中発火なきこと。 試験中は、温度変化が 20°C 以下であること。	45 分間 "ON", 15 分間 "OFF"。 1000 サイクル。 通電電流は、温度上昇 70°C の電流値。 測温は 100 サイクルごとに測定。 AMP 規格 109-5308

Fig. 1 (続く)

分類: 設計目標書	標準の名称: プリント基板用 .040 II / .070 II HD ハイブリッド I/O コネクタ	標準のコード: 108-5441	改訂 01	3 頁 12 頁中
--------------	--	---------------------	----------	--------------

項目	試験項目	規格値	試験方法
機 械 的 性 能			
3.5.9	振動 (高周波)	振動中 1 msec をこえる不連続導通を生じないこと。 総合抵抗 (規定電流) (.040 II) 10 mΩ 以下 (終期) (.070 II) 10 mΩ 以下 (終期)	振動周波数 : 20~400~20 Hz/6分 加速度 : 43.1 m/s <sup>2</sup> (4.4 G) 振動方向 : 上下方向 前後方向 左右方向 振動時間 : 各 3 時間 計 9 時間 Fig. 6 参照
3.5.10	コンタクト挿入力	.040 II シリーズ : 4.9 N 以下 .070 II シリーズ : 9.8 N 以下	操作速度 : 100 mm / 分 挿入に要する力を測定。 AMP 規格 109-5206
3.5.11	コンタクト引抜き力	.040 II シリーズ : 0.98 N 以上 .070 II シリーズ : 0.98 N 以上	操作速度 : 100 mm / 分 引抜に要する力を測定。 AMP 規格 109-5206
3.5.12	コネクタ挿入力	16 極 : 147 N 以下 25 極 : 147 N 以下 31 極 : 147 N 以下 32 極 : 147 N 以下	操作速度 : 100 mm / 分 挿入に要する力を測定。 AMP 規格 109-5206
3.5.13	コネクタ引抜き力	16 極 : 147 N 以下 25 極 : 147 N 以下 31 極 : 147 N 以下 32 極 : 147 N 以下	操作速度 : 100 mm / 分 引抜に要する力をロック機構を作用させないで測定。 AMP 規格 109-5206
3.5.14	ハウジング・ロック強度	98 N 以上	ハウジングロック強度を測定。 操作速度 : 100 mm / 分 AMP 規格 109-5210
3.5.15	コンタクト装着力	9.8 N 以下 1 コンタクト当たり	コンタクトをハウジングに装着するに要する力を測定すること。 AMP 規格 109-5211
3.5.16	コンタクト仮係止保持力	(.040 II) 49 N 以上 (.070 II) 58.8 N 以上	コンタクト引抜き力を軸方向に加えること。 操作速度 : 100 mm / 分 AMP 規格 109-5212
3.5.17	コンタクト保持力 (二重係止)	78 N 以上	二重係止時のコンタクト保持力を測定。 操作速度 : 100 mm / 分

Fig. 1 (続く)

分類 : 設計目標書	標準の名称 : プリント基板用 .040 II / .070 II HD ハイブリッド I/O コネクタ	標準のコード : 108-5441	改訂 01	4 頁 12 頁中
---------------	---	----------------------	----------	--------------

項目	試験項目	規格値			試験方法
		電線サイズ mm <sup>2</sup>	(AWG)	引抜強度(以上) N	
3.5.18	圧着部引張強度	0.3	22	58	圧着したコンタクトを試験機に固定し、軸方向引張力を電線に加える。 操作速度：100 mm/分 AMP規格 109-5205
		0.5	20	88	
		0.85	18	127	
		1.25	16	177	
3.5.19	耐久性(繰り返し挿抜)	総合抵抗(規定電流) (.040 II) 10 mΩ 以下(終期) (.070 II) 10 mΩ 以下(終期)			挿抜速度：100 mm/分 挿抜回数：50回 AMP規格 109-5213
3.5.20	こじり耐久性	総合抵抗(規定電流) (.040 II) 10 mΩ 以下(終期) (.070 II) 10 mΩ 以下(終期)			コネクタの一方を固定し、半嵌合状態で前後左右方向に 98 N の力を 2 回加える。これを 1 サイクルとして 10 サイクル行う。
3.5.21	はんだ付け性	95% 以上ぬれていること。			はんだ温度 230±5℃ はんだ浸漬時間 3±0.5 秒 使用フラックス：アルファー 100 AMP規格 109-5203
3.5.22	挿抜フィーリング	コネクタ挿入引抜において異常がないこと。			操作：手作業
3.5.23	ハウジング単体挿入力	29.4 N 以下			操作速度：100 mm/分 挿入に要する力を測定 AMP規格 109-5206
3.5.24	コネクタロック強度	98 N 以上			操作速度：100 mm/分 コネクタロック強度を測定。 AMP規格 109-5210
3.5.25	ハウジング逆挿入	逆挿入出来ないこと。			操作速度：100 mm/分 ハウジングを 294 N の力で、正規以外の方向で挿入する。
3.5.26	端子逆挿入	逆挿入出来ないこと。			操作速度：100 mm/分 ハウジングに端子を 49 N の力で、正規以外の方向で挿入する。
3.5.27	ロック解除力	49 N 以下			操作速度：100 mm/分 ロックを解除する時の荷重を測定する。

Fig. 1(続く)

分類： 設計目標書	標準の名称： プリント基板用 .040 II / .070 II HD ハイブリッド I/O コネクタ	標準のコード： 108-5441	改訂 01	5 頁 12 頁中
--------------	--	---------------------	----------	--------------

項目	試験項目	規 格 値	試 験 方 法
3.5.28	二重係止	リテーナーが正規位置に装着出来ないこと。	操作速度：100 mm/分 ハウジングに1つの端子を半挿入位置に組み込み、ダブルロックプレートを49 N の力によって押し込む。
3.5.29	ダブルロックプレート装着力	29 N 以下	操作速度：100 mm/分 ダブルロックプレートが本係止状態に要する力を測定する。
3.5.30	ダブルロックプレート保持力	29 N 以上	操作速度：100 mm/分 ダブルロックプレートを本係止保持力を測定する。
環 境 的 性 能			
3.5.31	熱衝撃	総合抵抗 (ローレベル) (.040 II) 10 mΩ 以下 (終期) (.070 II) 10 mΩ 以下 (終期)	-40°C / 60分、100°C / 60分 これを1サイクルとし、200サイクル行う。 AMP規格 109-5103 Fig. 7 参照
3.5.32	耐湿性 (定常状態)	絶縁抵抗 100 MΩ 以上 総合抵抗 (ローレベル) (.040 II) 10 mΩ 以下 (終期) (.070 II) 10 mΩ 以下 (終期)	嵌合したコネクタ 90~95% R.H. 60°C 96時間 AMP規格 109-5105
3.5.33	工業ガス (SO <sub>2</sub> )	総合抵抗 (ローレベル) (.040 II) 10 mΩ 以下 (終期) (.070 II) 10 mΩ 以下 (終値)	SO <sub>2</sub> ガス 10 ppm, 90~95% R.H. 40°C, 24時間 AMP規格 109-5107
3.5.34	温度寿命 (耐熱)	総合抵抗 (ローレベル) (.040 II) 10 mΩ 以下 (終期) (.070 II) 10 mΩ 以下 (終期)	100°C, 期間 120時間 AMP規格 109-5104
3.5.35	耐寒性	総合抵抗 (ローレベル) (.040 II) 10 mΩ 以下 (終期) (.070 II) 10 mΩ 以下 (終期)	-40°C ± 5°C, 120時間 AMP規格 109-5108 サンプル中数個は恒温槽から取り出し、直ちに1 mの高さから厚さ5 mm以上の鉄板の上に落とす。 (電線長さ 300 mm)
3.5.36	耐塵性	総合抵抗 (規定電流) (.040 II) 10 mΩ 以下 (終期) (.070 II) 10 mΩ 以下 (終期)	JISR 5210のセメント 1.5 kgfを15分毎に10秒拡散噴射90分 これを1サイクルとして8サイクル行う。 2サイクル毎にコネクタ挿抜1回 AMP規格 109-5110

Fig. 1 (続く)

分類： 設計目標書	標準の名称： .040 II / .070 II HD ハイブリッド I/O コネクタ	標準のコード： 108-5441	改訂 01	6 頁 12 頁中
--------------	---	---------------------	----------	--------------

項目	試験項目	規 格 値	試 験 方 法
3.5.37	耐油性	総合抵抗 (規定電流) (.040 II) 10 mΩ 以下 (終期) (.070 II) 10 mΩ 以下 (終期)	コネクタを 50±2°C に保たれたエンジン油 (SAE 10 W または同等油) と灯油 [JIS K 2203 (灯油) K の 2 号] との等重混合油中に 20 時間浸漬する。
3.5.38	複合耐久 I	総合抵抗 (規定電流) (.040 II) 10 mΩ 以下 (終期) (.070 II) 10 mΩ 以下 (終期) 端子圧着部の上昇温度 20°C 以下であること。	(1) 3.5.8 電流サイクル (200 サイクル) Fig. 8 参照 (2) 3.5.20 こじり耐久性 (3) 3.5.8 電流サイクル (300 サイクル) Fig. 8 参照
3.5.39	複合耐久 II	総合抵抗 (規定電流) (.040 II) 10 mΩ 以下 (終期) (.070 II) 10 mΩ 以下 (終期) 端子圧着部の上昇温度 20°C 以下であること。	(1) 3.5.20 こじり耐久性 (2) 3.5.8 電流サイクル (300 サイクル) Fig. 8 参照 3.5.9 耐振性

Fig. 1 (終り)

分類: 設計目標書	標準の名称: .040 II / .070 II HD ハイブリッド I/O コネクタ	標準のコード: 108-5441	改訂 01	7 頁 12 頁中
--------------	---	---------------------	----------	--------------

## 3.6 製品認定試験の試験順序

試験項目	試験グループ									
	1	2	3	4	5	6	7	8	9	10
	試験順序 (a)									
製品の確認検査	1	1	1	1	1	1	1,3	1,5	1,5	1,5
総合抵抗 (規定電流)										
総合抵抗 (ローレベル)								2,4	2,4	2,4
耐電圧						4				
絶縁抵抗						3				
リーク電流						5				
温度上昇							2			
電流サイクル										
ハウジング単体挿入力		3								
ハウジング逆挿入				5						
端子逆挿入				3						
振動 (高周波)										
ロック解除力				4						
コンタクト挿入力	2									
コンタクト引抜力	3									
コネクタ挿入力					2					
コネクタ引抜力			4							
コネクタロック強度					3					
コンタクト装着力				2						
コンタクト保持力		2						6		
コンタクト保持力 (二重係止)		5								
圧着部引張強度	5									
耐久性 (繰り返し挿抜)										
ハウジングロック強度		4								
こじり耐久性										
はんだ付け性						2				
挿抜フィーリング						6				
二重係止	4									
ダブルロックプレート装着力			2							
ダブルロックプレート保持力			3							
熱衝撃										3
耐湿性 (定常状態)										
工業ガス (SO <sub>2</sub> )										
温度寿命 (耐熱)								3		
耐寒性									3	
耐油性										
耐塵性										
複合耐久 I										
複合耐久 II										

(a) 欄内の数字は試験を実施する順序を示す。

Fig. 2 (1/2)

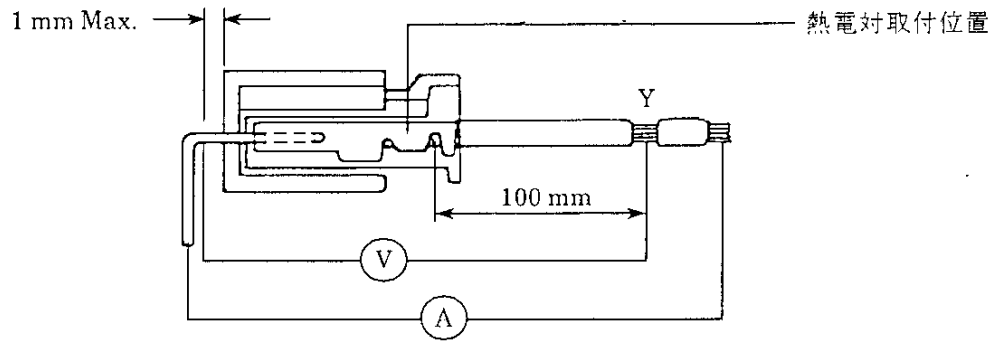
分類: 設計目標書	標準の名称: .040 II / .070 II HD ハイブリッド I/O コネクタ	標準のコード: 108-5441	改訂 01	8 頁 12 頁中
--------------	---	---------------------	----------	--------------

試験項目	試験グループ									
	11	12	13	14	15	16	17	18	19	20
	試験順序 (a)									
製品の確認検査	1, 8	1, 5	1, 5	1, 5	1, 5	1, 5	1, 5	1, 5	1, 5	1, 5
総合抵抗 (規定電流)			2, 4	2, 4	2, 4	2, 4	2, 4		2, 4	2, 4
総合抵抗 (ローレベル)	2, 4	2, 4						2, 4		
耐電圧	6									
絶縁抵抗	5									
リーク電流	7									
温度上昇										
電流サイクル		3								
ハウジング単体挿入力										
ハウジング逆挿入										
端子逆挿入										
振動 (高周波)					3					
ロック解除力										
コンタクト挿入力										
コンタクト引抜力										
コネクタ挿入力										
コネクタ引抜力										
コネクタロック強度	9									6
コンタクト装着力										
コンタクト保持力	10									7
コンタクト保持力 (二重係止)										
圧着部引張強度										
耐久性 (繰り返し挿抜)			3							
ハウジングロック強度										
こじり耐久性				3						
はんだ付け性										
挿抜フィーリング										
二重係止										
ダブルロックプレート装着力										
ダブルロックプレート保持力										
熱衝撃										
耐湿性 (定常状態)	3									
工業ガス (SO <sub>2</sub> )								3		
温度寿命 (耐熱)										
耐寒性										
耐油性						3				
耐塵性							3			
複合耐久 I									3	
複合耐久 II										3

(a) 欄内の数字は試験を実施する順序を示す。

Fig. 2 (2/2)

分類: 設計目標書	標準の名称: .040 II / .070 II III ハイブリッド I/O コネクタ	標準のコード: 108-5441	改訂 01	9 頁 12 頁中
--------------	--	---------------------	----------	--------------

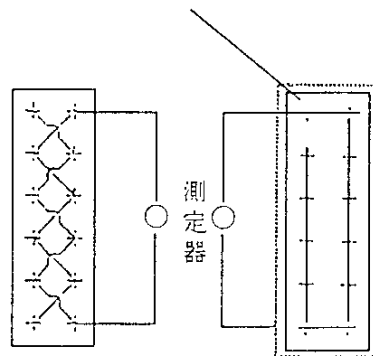


抵抗値の測定には、読み取り値から 100 mm の電線の抵抗分を差し引くこと。規定電流による測定の場合は嵌合コネクタに DC 12 V, 1 A を通電すること。

Y 点は測定時の電流密度を一様にするために、プローブをあてる電線部分にはんだをもっておくこと。

Fig. 3 総合抵抗の測定

ハウジング表面に導体箔を巻く



コンタクト相互間    コンタクトとハウジング間

Fig. 4

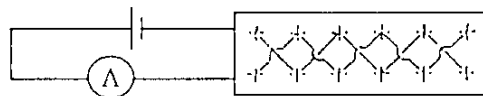
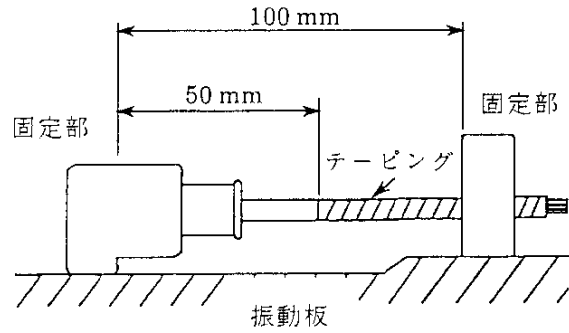


Fig. 5

分類： 設計目標書	標準の名称： .040 II / .070 II HD ハイブリッド I/O コネクタ	標準のコード： 108-5441	改訂	10 頁
			01	12 頁中





備考) テーピングは、端子先端より 50 mm の位置より 1/2 ラップ巻きする。

Fig. 6

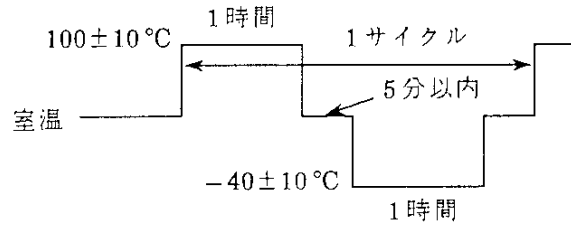


Fig. 7

温度 °C	湿度 %	温度上昇 °C
60	65~70	60 °C になる電流値

Fig. 8

分類： 設計目標書	標準の名称： .040 II / .070 II HD ハイブリッド I/O コネクタ	標準のコード： 108-5441	改訂	11 頁
			01	12 頁中

適用製品名と型番は付表 1 の通りである。

付表 1

Prod.P/N	Description
179678	.040 II/.070 II HD ハイブリッド I/O コネクタ 16極 プラグハウジングアセンブリ
179679	.040 II/.070 II HD ハイブリッド I/O コネクタ 25極 プラグハウジングアセンブリ
179680	.040 II/.070 II HD ハイブリッド I/O コネクタ 31極 プラグハウジングアセンブリ
179681	.040 II/.070 II HD ハイブリッド I/O コネクタ 32極 プラグハウジングアセンブリ
179684	.040 II/.070 II HD ハイブリッド I/O コネクタ 79極 キャップハウジングアセンブリ
179686	.040 II/.070 II HD ハイブリッド I/O コネクタ 104極 キャップハウジングアセンブリ
175265	.040 II S リセプタクル・コンタクト (すずめっき)
175268	.070 II S リセプタクル・コンタクト (すずめっき)
175269	.070 II M リセプタクル・コンタクト (すずめっき)

分類： 設計目標書	標準の名称： .040 II / .070 II HD ハイブリッド I/O コネクタ	標準のコード： <b>108-5441</b>	改訂	12 頁
			01	12 頁中