

4

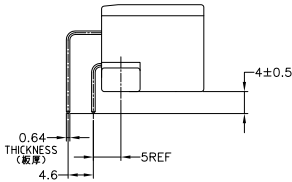
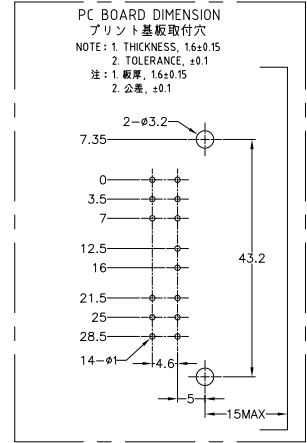
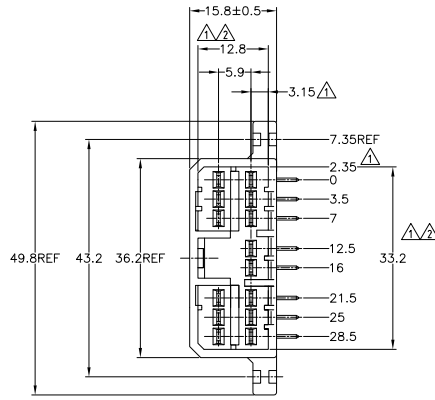
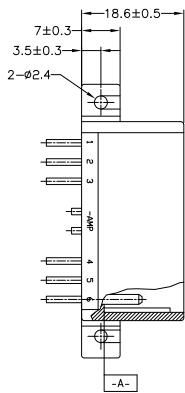
3

2

1

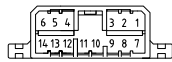
THIS DRAWING IS UNPUBLISHED. RELEASED FOR PUBLICATION
 © COPYRIGHT - By - ALL RIGHTS RESERVED.

LOC	DIST	REVISIONS		DATE	BY	APPD
J	-	F	LNK	DESCRIPTION		
		J2		REVISED PER ECO-11-005140	28MAR11	RIK HMR



- △-A- 面より2mmの範囲で測定。
- △ 相手ハウジングと所定の機能を満足して嵌合できること。
- 3. プリント基板への取付は、JIS B1115又は1122, M3×6ナベ (2個又は4個) のタッピングネジで締付けた後ハンダ付する。
(締付けトルク4kg-cm以下)
- △ 印記番号: 下記参照のこと。

- △ TO BE MEASURED BETWEEN -A- AND 2.
- △ TO BE MATE WITH PLUG HSG SMOOTHLY.
- 3. TO BE USE M3 TAPPING SCREW JIS B1115 OR 1122 (TYPE 2 OR 4) BEFORE SOLDER.
- △ CIRCUIT NUMBER.



V2	PRE-TIN	-	WHITE	9-173860-1
HB	SELECTIVE-TIN	PRE-TIN	-	WHITE 7-173860-1
	SELECTIVE-TIN	PRE-TIN	-	GREEN 3-173860-1
	TIN-LEAD	SELECTIVE GOLD	1~14	GREEN 2-173860-4
	TIN-LEAD	SELECTIVE GOLD	1~14	WHITE 2-173860-1
	PRE-TIN	-	-	BLUE 173860-5
	PRE-TIN	-	-	GRAY 173860-6
FLAMMABILITY OF MATERIAL 使用材料難燃グレード	PRE-TIN	-	-	GREEN 173860-4
	PRE-TIN	-	-	WHITE 173860-1
	SOLDERING SIDE 半田付け部	CONTACT SIDE 接触部側	GOLD PLATED CIRCUIT NO 金めっき回路番号	COLOR 色
	CONTACT FINISH コンタクト仕上			

TOLERANCES UNLESS OTHERWISE SPECIFIED

∅	PLC	±0.2
∅	PLC	±0.25
∅	PLC	±0.3
∅	PLC	±0.35
∅	PLC	±0.4
∅	PLC	±0.5
∅	PLC	±0.6
∅	PLC	±0.7
∅	PLC	±0.8
∅	PLC	±0.9
∅	PLC	±1.0
∅	PLC	±1.2
∅	PLC	±1.5
∅	PLC	±2.0
∅	PLC	±2.5
∅	PLC	±3.0
∅	PLC	±4.0
∅	PLC	±5.0
∅	PLC	±6.0
∅	PLC	±8.0
∅	PLC	±10.0
∅	PLC	±12.0
∅	PLC	±15.0
∅	PLC	±20.0
∅	PLC	±25.0
∅	PLC	±30.0
∅	PLC	±40.0
∅	PLC	±50.0
∅	PLC	±60.0
∅	PLC	±80.0
∅	PLC	±100.0

THIS DRAWING IS A CONTROLLED DOCUMENT.

TE Connectivity

070 SERIES MULTI-LOCK I/O CONNECTOR
 14 POSITION CAP HOUSING ASSEMBLY
 (H-TYPE)

SIZE: A2 00779 173860
 SCALE: 2:1 SHEET: 1 of 1 REV: J2