

---

**04011/07011 Multi Lock Connector MK-II Type**  
**04011/07011 マルチロック・コネクタ・マークIIタイプ**

---

Following first 10 pages are English version and last 9 pages are Japanese version. This top sheet is not part of the specification but explains both of English and Japanese versions are available.

このトップシートに続く最初の 10 ページは英語版で、その後の 9 ページは日本語版です。このトップシートは、規格には含まれませんが、英語、日本語両方があることを説明しています。

## Product Specification

108-5452

## 040 II/070 II Multi Lock Connector MK-II Type

1. Scope :
- 1.1 Contents

This specification covers the requirements for product performance, test methods and quality assurance provisions of 040 II/070 II Multi Lock Connector, MK-II Type.

Applicable product description and part numbers are as shown in Appendix 1.

2. Applicable Documents :

The following documents form a part of this specification to extent specified herein. In the event of conflict between the requirements of this specification and the product drawing, the product drawing shall take precedence. In the event of conflict between the requirements of this specification and the referenced documents, this specification shall take precedence.

- 2.1 AMP Specifications :

- |             |                                                                    |
|-------------|--------------------------------------------------------------------|
| A. 109-5000 | Test Specification, General Requirements for Test Methods.         |
| B. 114-5159 | Application Specification, 040 II Series Receptacle & Tab Contact. |
| C. 114-5160 | Application Specification, 070 II Series Receptacle & Tab Contact. |
| D. 501-5152 | Qualification Test Report.                                         |

3. Requirements :

3.1 Design and Construction :

Product shall be of the design, construction and physical dimensions specified on the applicable product drawing.

3.2 Materials :

- A. Contact :                      Receptacle Contact    : Copper Alloy
- Tab Contact                      : Brass
- B. Housing :                      PBT

3.3 Ratings :

A. Temperature Rating : -40°C to 120°C  
 (Ambient temperature + Temperature rising by energized current)

3.4 Performance Requirements and Test Descriptions :

The product shall be designed to meet the electrical, mechanical and environmental performance requirements specified in Fig. 1. All tests shall be performed in the room temperature, unless otherwise specified.

3.5 Test Requirements and Procedures Summary :

| Para.                          | Test Items                         | Requirements                                                                                                 | Procedures                                                                                                                                            |
|--------------------------------|------------------------------------|--------------------------------------------------------------------------------------------------------------|-------------------------------------------------------------------------------------------------------------------------------------------------------|
| 3.5.1                          | Confirmation of Product            | Product shall be conforming to the requirements of applicable product drawing and Application Specification. | Visually, dimensionally and functionally inspected per applicable quality inspection plan.                                                            |
| <b>Electrical Requirements</b> |                                    |                                                                                                              |                                                                                                                                                       |
| 3.5.2                          | Termination Resistance (Low Level) | 040 II 10m Ω Max. (Initial)<br>20m Ω Max. (Final)<br>070 II 3m Ω Max. (Initial)<br>10m Ω Max. (Final)        | Subject mated contacts assembled in housing to 20m V Max open circuit voltage and closed circuit current of 10m A.<br>Fig. 2.<br>AMP Spec. 109-5311-1 |

Fig. 1. (CONT)

| Para. | Test Items                      | Requirements                                                                                                                                                                                                                                 | Procedures                                                                                                                                                                                                                 |
|-------|---------------------------------|----------------------------------------------------------------------------------------------------------------------------------------------------------------------------------------------------------------------------------------------|----------------------------------------------------------------------------------------------------------------------------------------------------------------------------------------------------------------------------|
| 3.5.3 | Insulation Resistance           | 100M $\Omega$ Min. (Initial)                                                                                                                                                                                                                 | Impressed voltage 500 V DC.<br>Test between adjacent circuits of mated connectors. Fig. 3, 4<br>AMP Spec. 109-5302                                                                                                         |
| 3.5.4 | Dielectric withstanding voltage | No creeping discharge nor flashover shall occur.                                                                                                                                                                                             | 1000k VAC for 1 minute.<br>Test between adjacent circuits of AMP Spec. 109-5301                                                                                                                                            |
| 3.5.5 | Current Leakage                 | 10 $\mu$ A Max.                                                                                                                                                                                                                              | 13 VDC<br>AMP Spec. 109-5312                                                                                                                                                                                               |
| 3.5.6 | Current Cycling                 | 040 II 20m $\Omega$ Max. (Final)<br>070 II 10m $\Omega$ Max. (Final)<br>No ignition is allowed during the test.<br>No abnormalities in visual inspection. No physical damage allowed, and shall meet the requirements of subsequent testing. | Applied Current : Fig. 5, 6<br>45 minutes "ON",<br>15 minutes "OFF"<br>300 cycles.<br>AMP Spec. 109-5308<br>Exposure under 70 $^{\circ}$ C<br>040 II - 3A-CAVS 0.5 mm <sup>2</sup><br>070 II-10A-CAVS 1.25 mm <sup>2</sup> |
| 3.5.7 | Temperature Rising              | 040 II 25 $^{\circ}$ C Max. under loaded specified current<br>(040 II : 3A 070II : 10A)<br>070 II 30 $^{\circ}$ C Max.<br>Wire Size<br>040 II -CAVS 0.5 SQ<br>070 II -CAVS 1.25 SQ                                                           | Measure temperature rising by energized current.<br>Fig. 6<br>AMP Spec. 109-5310                                                                                                                                           |
| 3.5.8 | Overcurrent Loading             | No ignition is allowed during the Test.                                                                                                                                                                                                      | 040 II = 14 A, 070II = 27 A Current,<br>Wire Size<br>040 II -CAVS 0.5mm <sup>2</sup><br>070 II -CAVS 1.25mm <sup>2</sup><br>60 minutes "ON". Fig. 6                                                                        |

Fig. 1. (CONT)

| Para.                          | Test Items                               | Requirements                                                   | Procedures                                                                                                                                                                                                                                           |                                                                                                                                        |        |
|--------------------------------|------------------------------------------|----------------------------------------------------------------|------------------------------------------------------------------------------------------------------------------------------------------------------------------------------------------------------------------------------------------------------|----------------------------------------------------------------------------------------------------------------------------------------|--------|
| <b>Mechanical Requirements</b> |                                          |                                                                |                                                                                                                                                                                                                                                      |                                                                                                                                        |        |
| 3.5.9                          | Crimp Tensile Strength                   | Wire Size                                                      | Crimp Tensil (min.)                                                                                                                                                                                                                                  | Apply an axial pull-off load to crimped wire of contact secured on the tester,<br>Operation Speed : 200 mm/ min.<br>AMP Spec. 109-5205 |        |
|                                |                                          | mm <sup>2</sup>                                                | (AWG)                                                                                                                                                                                                                                                |                                                                                                                                        | N      |
|                                |                                          | 0.3                                                            | 22                                                                                                                                                                                                                                                   |                                                                                                                                        | 58.8   |
|                                |                                          | 0.5                                                            | 20                                                                                                                                                                                                                                                   |                                                                                                                                        | 88.2   |
|                                |                                          | 0.85                                                           | 18                                                                                                                                                                                                                                                   |                                                                                                                                        | 127    |
|                                |                                          | 1.25                                                           | 16                                                                                                                                                                                                                                                   | 167                                                                                                                                    |        |
| 3.5.10                         | Post Retention Force                     | In A Direction 59 N      Min.<br>In B Direction 20 N      Min. | Measure post retention force. Fig. 7<br>Operation Speed : 200 mm/ min                                                                                                                                                                                |                                                                                                                                        |        |
| 3.5.11                         | Connector Mating Force                   | (N )                                                           |                                                                                                                                                                                                                                                      | Operation Speed : 100 mm/ min.<br>Measure the force required to mate connectors.<br>AMP Spec. 109-5206                                 |        |
|                                |                                          | Type                                                           | 040 II                                                                                                                                                                                                                                               |                                                                                                                                        | 070 II |
|                                |                                          | Pos.                                                           |                                                                                                                                                                                                                                                      |                                                                                                                                        |        |
|                                |                                          | 10                                                             | 60                                                                                                                                                                                                                                                   |                                                                                                                                        |        |
|                                |                                          | 16                                                             | 70                                                                                                                                                                                                                                                   |                                                                                                                                        | 78     |
|                                |                                          | 20                                                             | 78                                                                                                                                                                                                                                                   |                                                                                                                                        |        |
|                                |                                          | 24                                                             | 78                                                                                                                                                                                                                                                   |                                                                                                                                        |        |
| 3.5.12                         | Connector Unmating Force                 | (N )                                                           |                                                                                                                                                                                                                                                      | Operation Speed : 100 mm/ min.<br>Measure the force required to unmate connectors.<br>AMP Spec. 109-5206                               |        |
|                                |                                          | Type                                                           | 040 II                                                                                                                                                                                                                                               |                                                                                                                                        | 070 II |
|                                |                                          | Pos.                                                           |                                                                                                                                                                                                                                                      |                                                                                                                                        |        |
|                                |                                          | 10                                                             | 60                                                                                                                                                                                                                                                   |                                                                                                                                        |        |
|                                |                                          | 16                                                             | 70                                                                                                                                                                                                                                                   |                                                                                                                                        | 78     |
|                                |                                          | 20                                                             | 78                                                                                                                                                                                                                                                   |                                                                                                                                        |        |
|                                |                                          | 24                                                             | 78                                                                                                                                                                                                                                                   |                                                                                                                                        |        |
| 3.5.13                         | Durability<br>(Repeated Mate / Unmating) | 040 II 20 mΩ Max. (Final)<br>070 II 10 mΩ Max. (Final)         | No. of Cycles : 50 cycles.<br>AMP Spec. 10-5213                                                                                                                                                                                                      |                                                                                                                                        |        |
| 3.5.14                         | Resistance to "Kojiri"                   | 040 II 20 mΩ Max. (Final)<br>070 II 10 mΩ Max. (Final)         | Hold cap connector on the bench, under a state of plug connector inserted, pull the plug connector at right angles in front-rear, and right-left directions. Pull at the two step of depth, as shown Fig. 8, then draw out.<br>Repeat for 10 cycles. |                                                                                                                                        |        |

Fig. 1 (CONT)

| Para.  | Test Items                                     | Requirements                                                                                                     | Procedures                                                                                                                                                                                                                                                              |
|--------|------------------------------------------------|------------------------------------------------------------------------------------------------------------------|-------------------------------------------------------------------------------------------------------------------------------------------------------------------------------------------------------------------------------------------------------------------------|
| 3.5.15 | Vibration<br>(Low Frequency)                   | 040 II 20 mΩ max. (Final)<br>070 II 10 mΩ max. (Final)                                                           | Subject mated connectors<br>Vibration accelation : 6.8 G<br>Vibration frequency :<br>10-50-10 Hz Cycle / 8 min.<br>Duration : Up and down directions<br>for 4 hours forward and rearward<br>directions for 2 hours. right and<br>left directions for 2 hours.<br>Fig. 9 |
| 3.5.16 | Solderability                                  | Wet Solder Coverage :<br>Plated area only<br>95% min. (with substrate area)<br>50% min. (without substrate area) | Solder Temperature : 235 ± 5°C<br>Immersion Duration :<br>5 ± 0.5 seconds<br>Flux : Alpha 100<br>AMP Spec. 109-5203                                                                                                                                                     |
| 3.5.17 | Connector Locking<br>Strength                  | 98.0N Min.                                                                                                       | Measure connector locking strength.<br>Operation Speed : 20 mm/ min.<br>AMP Spec. 109-5210 Fig. 10                                                                                                                                                                      |
| 3.5.18 | Contact Retention<br>Force<br>(Secondary Lock) | 98.0N Min.                                                                                                       | Measure contact retention force<br>with secondary lock set it effect.<br>Operation Speed : 200 mm/ min.                                                                                                                                                                 |

Fig. 1 (CONT)

3.6 Product Qualification Test Sequence

| Test to Examination                       | Test Groups       |   |   |              |   |   |   |   |   |    |     |    |    |    |
|-------------------------------------------|-------------------|---|---|--------------|---|---|---|---|---|----|-----|----|----|----|
|                                           | 1                 | 2 | 3 | 4            | 5 | 6 | 7 | 8 | 9 | 10 | 11  | 12 | 13 | 14 |
|                                           | Test Sequence (a) |   |   |              |   |   |   |   |   |    |     |    |    |    |
| Confirmation of Product                   | 1                 | 1 | 1 | 1            | 1 | 1 | 1 | 1 | 1 | 1  | 1   | 1  | 1  | 1  |
| Termination Resistance<br>(Rated Current) |                   |   |   | 2,4,<br>6,8, |   |   |   |   |   |    | 2,4 |    |    |    |
| Dielectric Strength                       |                   | 2 |   |              |   |   |   |   |   |    |     |    |    |    |
| Insulation Resistance                     | 2                 |   |   |              |   |   |   |   |   |    |     |    |    |    |
| Current Leakage                           |                   |   | 2 |              |   |   |   |   |   |    |     |    |    |    |
| Temperature Rising                        |                   |   |   |              | 2 |   |   |   |   |    |     |    |    |    |
| Current Cycling                           |                   |   |   | 7            |   |   |   |   |   |    |     |    |    |    |
| Over Current Loading                      |                   |   |   |              |   | 2 |   |   |   |    |     |    |    |    |
| Vibration (Low Frequency)                 |                   |   |   |              |   |   |   |   |   |    | 3   |    |    |    |
| Connector Mating Force                    |                   |   |   |              |   |   |   |   | 2 |    |     |    |    |    |
| Connector Unmating Force                  |                   |   |   |              |   |   |   |   |   | 2  |     |    |    |    |
| Connector Locking<br>Strength             |                   |   |   |              |   |   |   |   |   |    |     |    | 2  |    |
| Contact Retesion Force<br>(Double Lock)   |                   |   |   |              |   |   |   |   |   |    |     |    |    | 2  |
| Contact Mating Force                      |                   |   |   |              |   |   |   |   |   |    |     |    |    |    |
| Contact Unmating Force                    |                   |   |   |              |   |   |   |   |   |    |     |    |    |    |
| Crimp Tensile Strength                    |                   |   |   |              |   |   | 2 |   |   |    |     |    |    |    |
| Durability<br>(Repeated Mate/Unmating)    |                   |   |   | 3            |   |   |   |   |   |    |     |    |    |    |
| Housing Locking Strength                  |                   |   |   |              |   |   |   |   |   |    |     |    |    |    |
| Post Retention Force                      |                   |   |   |              |   |   |   | 2 |   |    |     |    |    |    |
| Resistance to "Kojiri"                    |                   |   |   | 5            |   |   |   |   |   |    |     |    |    |    |
| Solderability                             |                   |   |   |              |   |   |   |   |   |    |     | 2  |    |    |

(a) Numbers indicate sequence in which tests are performed

Applicable product description and part numbers are as shown in Appendix 1.

| Product No.                                                 | Name                                                    |
|-------------------------------------------------------------|---------------------------------------------------------|
| <input type="checkbox"/> -316991- <input type="checkbox"/>  | 040 II 10 Pos. Cap Assembly                             |
| <input type="checkbox"/> -1376019- <input type="checkbox"/> | 070 II 16 Pos. Cap Assembly                             |
| <input type="checkbox"/> -316993- <input type="checkbox"/>  | 040 II 20 Pos. Cap Assembly                             |
| <input type="checkbox"/> -353105- <input type="checkbox"/>  | 040 II 24 Pos. Cap Assembly                             |
| <input type="checkbox"/> -179059- <input type="checkbox"/>  | 040 II 36 Pos. Cap Assembly                             |
| <input type="checkbox"/> -179091- <input type="checkbox"/>  | 040 II / 070 II 36 Pos. Cap Assembly (Combination Type) |
| <input type="checkbox"/> -316370- <input type="checkbox"/>  | 040 II 48 Pos. Cap Assembly                             |
| <input type="checkbox"/> -1123630- <input type="checkbox"/> | 040 II 48 Pos. Cap Assembly                             |
| <input type="checkbox"/> -353110- <input type="checkbox"/>  | 040 II 72 Pos. Cap Assembly                             |
| <input type="checkbox"/> -316988- <input type="checkbox"/>  | 040 II 10 Pos. Plug Assembly                            |
| <input type="checkbox"/> -179054- <input type="checkbox"/>  | 040 II 16 Pos. Plug Assembly                            |
| <input type="checkbox"/> -179093- <input type="checkbox"/>  | 070 II 16 Pos. Plug Assembly                            |
| <input type="checkbox"/> -179057- <input type="checkbox"/>  | 040 II 20 Pos. Plug Assembly                            |
| <input type="checkbox"/> -316371- <input type="checkbox"/>  | 040 II 24 Pos. Plug Assembly                            |
| <input type="checkbox"/> -316372- <input type="checkbox"/>  | 040 II 24 Pos. Plug Assembly                            |
| <input type="checkbox"/> -353112- <input type="checkbox"/>  | 040 II 24 Pos. Plug Assembly                            |
| <input type="checkbox"/> -353107- <input type="checkbox"/>  | 040 II 24 Pos. Plug Assembly                            |
| <input type="checkbox"/> -1123632- <input type="checkbox"/> | 040 II 24 Pos. Plug Assembly                            |
| <input type="checkbox"/> -175265- <input type="checkbox"/>  | 040 II Receptacle Contact (S)                           |
| <input type="checkbox"/> -175268- <input type="checkbox"/>  | 070 II Receptacle Contact (S)                           |
| <input type="checkbox"/> -175269- <input type="checkbox"/>  | 070 II Receptacle Contact (M)                           |

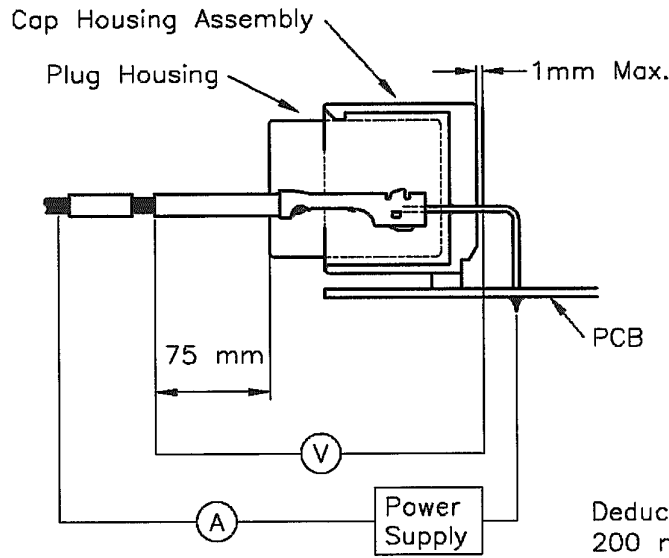
Appendix 1

Part number is consisted from listed base number and 1 digit numeric prefix and suffix with dash. Refer to customer drawing for specific part numbers for each base number. When prefix is zero, zero and dash are omitted.

Product Combination

| Cap Housing<br>The Number of Poles |         | Plug Housing |        | 040 II |        | 070 II |        |
|------------------------------------|---------|--------------|--------|--------|--------|--------|--------|
|                                    |         | 316991       | 316988 | 179057 | 353112 | 179093 | 353112 |
| 10                                 | 316991  | 316988       |        |        |        |        |        |
| 16                                 | 1376019 |              |        |        |        | 179093 |        |
| 20                                 | 316993  |              |        | 179057 |        |        |        |
| 24                                 | 353105  | 353107       |        |        |        |        |        |
| 36                                 | 179059  | 179054       |        | 179057 |        |        |        |
| 36                                 | 179091  |              |        | 179057 |        | 179093 |        |
| 48                                 | 316370  | 316371       |        | 316372 |        |        |        |
| 48                                 | 1123630 | 1123632      |        |        | 353112 |        |        |
| 72                                 | 353110  | 316371       |        | 316372 | 353112 |        |        |





Deduct the resistance value of 200 mm long wire from the reading.

Fig. 2

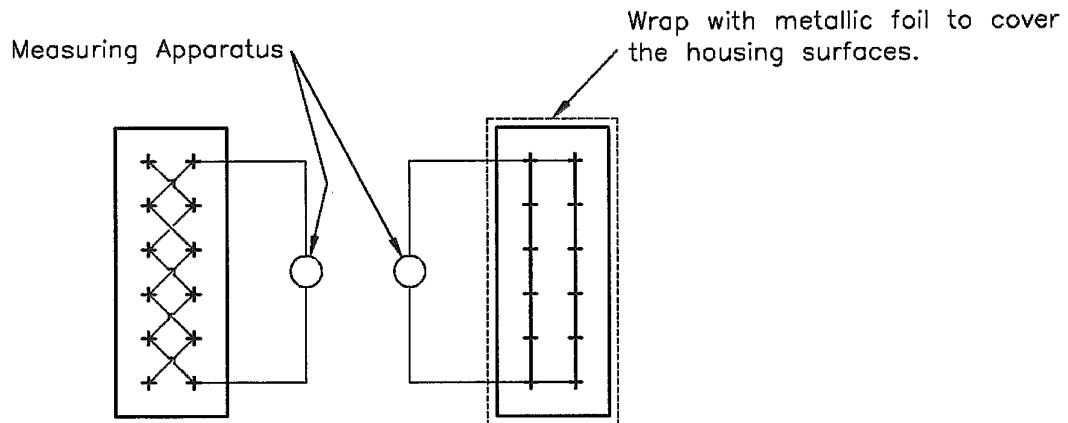


Fig. 3

Fig. 4

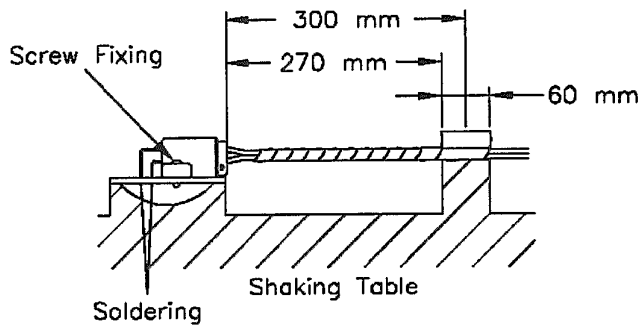


Fig. 5

<ex>○: Terminals energized current

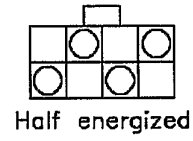


Fig. 6

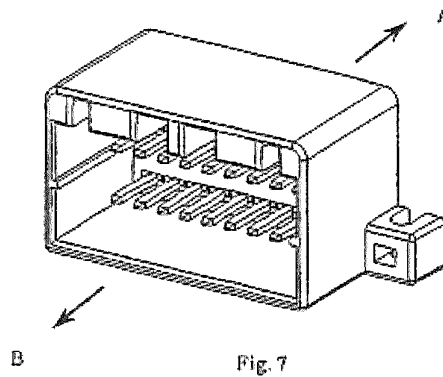


Fig. 7

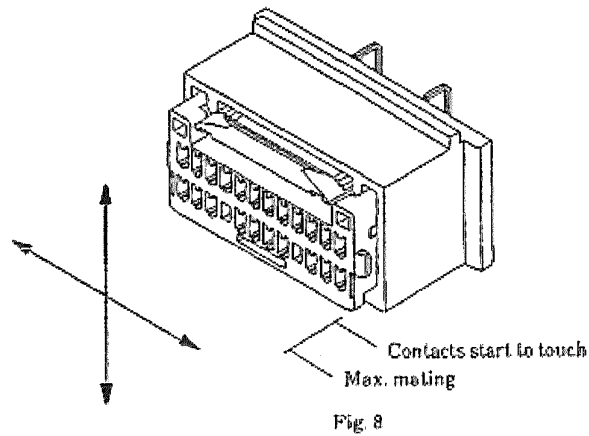


Fig. 8

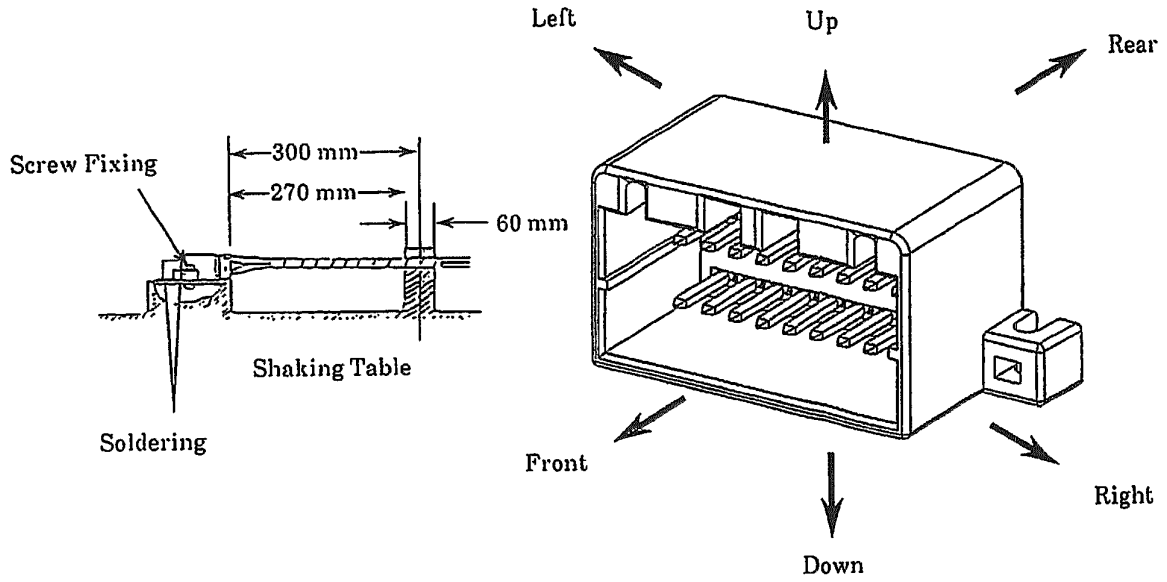


Fig. 9

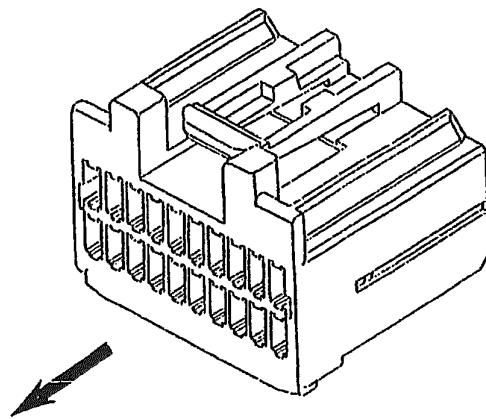


Fig. 10

108-5452

## 製品規格

## 040 II/ 070 II マルチロックコネクタマークIIタイプ

## 1. 適用範囲

## 1.1 内容

本規格は、040 II/ 070II マルチロックコネクタマークIIタイプの製品性能、試験方法、品質保証の必要条件を規定している。

適用製品名と型番は附表1の通りである。

## 2. 参考規格類

以下規格類は本規格中で規定する範囲内に於いて、本規格の一部を構成する。万一本規格と製品図面の間に不一致が生じた時は、製品図面を優先して適用すること。万一本規格と参考規格類の間に不一致が生じた時は、本規格を優先して適用すること。

## 2.1 AMP規格

- |             |                                        |
|-------------|----------------------------------------|
| A. 109-5000 | 試験法の一般条件                               |
| B. 114-5159 | 取付適用規格 040 IIシリーズ リセプタクル及びタブコンタクトの圧着条件 |
| C. 114-5160 | 取付適用規格 070 IIシリーズ リセプタクル及びタブコンタクトの圧着条件 |
| D. 501-5152 | 認定試験報告書                                |

3. 一般必要条件

3.1 設計と構造

製品は該当製品図面に規定された設計、構造、物理的寸法をもって製造されていること。

3.2 材 料

A. コンタクト

リセプタクルコンタクト : 銅合金

タブコンタクト : 黄銅

B.ハウジング

PBT

3.3 定 格

A. 使用温度範囲 -40℃～120℃（周囲温度+通電による温度上昇を含む）

3.4 性能必要条件と試験方法

製品はFig. 1に規定された電氣的、機械的、及び耐環境的特性を有するよう設計されていること。

試験は特別に規定されない限り室温下で行われること。

3.5 性能必要条件と試験方法の要約

| 項目        | 試 験 項 目         | 規 格 値                                                                 | 試 験 方 法                                                                                     |
|-----------|-----------------|-----------------------------------------------------------------------|---------------------------------------------------------------------------------------------|
| 3.5.1     | 製品の確認検査         | 製品図面とAMP取付適用規格の<br>必要条件に合致していること。                                     | 該当する品質検査計画書に基づいて<br>目視、寸法及び機能検査を行うこと。                                                       |
| 電 氣 的 性 能 |                 |                                                                       |                                                                                             |
| 3.5.2     | 総合抵抗<br>(ローレベル) | 040 II 10mΩ以下 (初期)<br>20mΩ以下 (終期)<br>070 II 3mΩ以下 (初期)<br>10mΩ以下 (終期) | ハウジングに組込まれ勘合したコン<br>タクトを開路電圧20mV以下、閉路電<br>流10mA以下の条件で測定する。<br>Fig. 2参照。<br>AMP規格 109-5311-1 |
| 3.5.3     | 絶縁抵抗            | 100MΩ以上 (初期値)                                                         | 500V DC印加。<br>コネクタ嵌合あり<br>AMP規格109-5302<br>Fig. 3,4参照。<br>AMP規格 109-5302                    |

Fig 1 (続く)

| 項目        | 試験項目    | 規格値                                                                                                                                             |           | 試験方法                                                                                                                                                                       |        |
|-----------|---------|-------------------------------------------------------------------------------------------------------------------------------------------------|-----------|----------------------------------------------------------------------------------------------------------------------------------------------------------------------------|--------|
| 3.5.4     | 耐電圧     | 沿面放電、フラッシュオーバー等がないこと。                                                                                                                           |           | 1000VAC 1分間印加<br>コネクタ嵌合あり<br>接コネクタ間で測定。<br>AMP規格 109-5301                                                                                                                  |        |
| 3.5.5     | リーク電流   | 10 $\mu$ A以下                                                                                                                                    |           | 13V D<br>AMP規格 109-5312                                                                                                                                                    |        |
| 3.5.6     | 電流サイクル  | 040 II 20m $\Omega$ 以下 (終期)<br>070 II 6m $\Omega$ 以下 (終期)<br>試験中発火なきこと。<br>外見検査で異常がないこと。物理的損傷がなく、以後の試験の必要条件を満足させること。                            |           | 電流条件: Fig. 5,6参照<br>45分間"ON",15分間"OFF"<br>300サイクル。70 $^{\circ}$ C雰囲気中<br>AMP規格 109-5308 条件<br>040 II - 3A-CAVS 0.5mm <sup>2</sup><br>070 II - 10A-CAVS 1.25mm <sup>2</sup> |        |
| 3.5.7     | 温度上昇    | 040 IIは3A, 070 IIは10Aを通电して、温度上昇は<br>25 $^{\circ}$ C以下 (040 II)<br>30 $^{\circ}$ C以下 (070 II)<br>使用電線<br>040 II - CAVS 0.5<br>070 II - CAVS 1.25 |           | 通电による温度上昇を測定すること<br>Fig. 6参照<br>AMP規格 109-5310                                                                                                                             |        |
| 3.5.8     | 荷電流耐力   | 試験中発火なきこと。                                                                                                                                      |           | 040 II = 14 A, 070 II = 27 A 通电<br>使用電線<br>040 II - CAVS 0.5mm <sup>2</sup><br>070 II - CAVS 1.25mm <sup>2</sup><br>60分間"ON"                                               |        |
| 機 械 的 性 能 |         |                                                                                                                                                 |           |                                                                                                                                                                            |        |
| 3.5.9     | 圧着部引張強度 | 電線サイズ                                                                                                                                           | 引張強度 (以上) | 圧着したコンタクトを試験機に固定し、軸方向引張力を電線に加える。<br>操作速度は200mm/分であること。<br>AMP規格 109-5205                                                                                                   |        |
|           |         | mm <sup>2</sup> (AWG)                                                                                                                           | N         |                                                                                                                                                                            |        |
|           |         | 0.3 22                                                                                                                                          | 58.8      |                                                                                                                                                                            |        |
|           |         | 0.5 20                                                                                                                                          | 88.2      |                                                                                                                                                                            |        |
|           |         | 0.85 18                                                                                                                                         | 127       |                                                                                                                                                                            |        |
|           |         | 1.25 16                                                                                                                                         | 167       |                                                                                                                                                                            |        |
| 3.5.10    | ポスト保持力  | A方向 59N 以上<br>B方向 20N 以上                                                                                                                        |           | ポストの保持力を測定<br>操作速度: 200mm/分                                                                                                                                                |        |
| 3.5.11    | コネクタ挿入力 | 規格値上限 (N)                                                                                                                                       |           | 操作速度 100mm/分<br>挿入に要する力を測定<br>AMP規格 109-5206                                                                                                                               |        |
|           |         | 形式                                                                                                                                              |           |                                                                                                                                                                            |        |
|           |         | 極数                                                                                                                                              | 040 II    |                                                                                                                                                                            | 070 II |
|           |         | 10                                                                                                                                              | 60        |                                                                                                                                                                            |        |
|           |         | 16                                                                                                                                              | 70        |                                                                                                                                                                            | 78     |
|           | 20      | 78                                                                                                                                              |           |                                                                                                                                                                            |        |
|           | 24      | 78                                                                                                                                              |           |                                                                                                                                                                            |        |

Fig.1 (続く)

| 項目     | 試験項目               | 規格値                                                          | 試験方法                                                                                                               |                                              |        |
|--------|--------------------|--------------------------------------------------------------|--------------------------------------------------------------------------------------------------------------------|----------------------------------------------|--------|
| 3.5.12 | コネクタ引抜力            | 規格値上限 (N)                                                    |                                                                                                                    | 操作速度 100mm/分<br>挿入に要する力を測定<br>AMP規格 109-5206 |        |
|        |                    | 形式<br>極数                                                     | 040 II                                                                                                             |                                              | 070 II |
|        |                    | 10                                                           | 60                                                                                                                 |                                              |        |
|        |                    | 16                                                           | 70                                                                                                                 |                                              | 78     |
|        |                    | 20                                                           | 78                                                                                                                 |                                              |        |
|        |                    | 24                                                           | 78                                                                                                                 |                                              |        |
| 3.5.13 | 耐久性                | 040 II 20mΩ以下 (終期)<br>070 II 10mΩ以下 (終期)                     | 挿抜回数 50回<br>AMP規格 109-5213                                                                                         |                                              |        |
| 3.5.14 | こじり耐久性             | 040 II 20mΩ以下 (終期)<br>070 II 10mΩ以下 (終期)                     | コネクタの一方を固定、他方を挿入した状態で軸方向に直角に前後左右方向に先端付近を78Nの力でこじる。図8のように2段階の嵌合深さでこじった後、引き抜く。これを1サイクルとして10サイクル行う。<br>AMP規格 109-5215 |                                              |        |
| 3.5.15 | 振動 (低周波)           | 040 II 20mΩ以下 (終期)<br>070 II 10mΩ以下 (終期)                     | 嵌合したコネクタに振動加速度6.8Gで、10-50-10Hzに8分1サイクルの割合で変化する掃引振動を直交する上下方向に4時間前後、左右方向に2時間与えること。<br>AMP規格 109-5201<br>Fig. 9       |                                              |        |
| 3.5.16 | はんだ付け性             | はんだぬれ面積率：<br>めっき面にのみ適用<br>95%以上 (下地めっきあり)<br>50%以上 (下地めっきなし) | はんだ温度 : 235±5℃<br>はんだ浸漬時間 : 5±0.5秒<br>使用フラックス : アルファー100<br>AMP規格 109-5203                                         |                                              |        |
| 3.5.17 | コネクタ・ロック強度         | 98.0N 以上                                                     | コネクタのロック強度を測定<br>操作速度 20mm/分<br>AMP規格 109-5210 Fig. 10                                                             |                                              |        |
| 3.5.18 | コンタクト保持力<br>(二重係止) | 98.0N 以上                                                     | 二重係止時のコンタクト保持力を測定<br><br>操作速度 : 200mm/分                                                                            |                                              |        |

Fig. 1 (続く)

| 試験項目               | 試験グループ  |   |   |              |   |   |   |   |   |    |    |     |    |    |
|--------------------|---------|---|---|--------------|---|---|---|---|---|----|----|-----|----|----|
|                    | 1       | 2 | 3 | 4            | 5 | 6 | 7 | 8 | 9 | 10 | 11 | 12  | 13 | 14 |
|                    | 試験順序(a) |   |   |              |   |   |   |   |   |    |    |     |    |    |
| 製品の確認検査            | 1       | 1 | 1 | 1            | 1 | 1 | 1 | 1 | 1 | 1  | 1  | 1   | 1  | 1  |
| 総合抵抗 (ローレベル)       |         |   |   | 2,4,<br>6,8, |   |   |   |   |   |    |    | 2,4 |    |    |
| 耐電圧                |         | 2 |   |              |   |   |   |   |   |    |    |     |    |    |
| 絶縁抵抗               | 2       |   |   |              |   |   |   |   |   |    |    |     |    |    |
| リーク電流              |         |   | 2 |              |   |   |   |   |   |    |    |     |    |    |
| 温度上昇               |         |   |   |              | 2 |   |   |   |   |    |    |     |    |    |
| 電流サイクル             |         |   |   | 7            |   |   |   |   |   |    |    |     |    |    |
| 過電流耐力              |         |   |   |              |   | 2 |   |   |   |    |    |     |    |    |
| 振動 (低周波)           |         |   |   |              |   |   |   |   |   |    | 3  |     |    |    |
| コネクタ挿入力            |         |   |   |              |   |   |   |   | 2 |    |    |     |    |    |
| コネクタ引抜力            |         |   |   |              |   |   |   |   |   | 2  |    |     |    |    |
| コネクタロック強度          |         |   |   |              |   |   |   |   |   |    |    |     | 2  |    |
| コンタクト保持力<br>(二重係止) |         |   |   |              |   |   |   |   |   |    |    |     |    | 2  |
| コンタクト挿入力           |         |   |   |              |   |   |   |   |   |    |    |     |    |    |
| コンタクト引抜力           |         |   |   |              |   |   |   |   |   |    |    |     |    |    |
| 圧着部引張強度            |         |   |   |              |   |   | 2 |   |   |    |    |     |    |    |
| 耐久性 (繰り返し挿抜)       |         |   |   | 3            |   |   |   |   |   |    |    |     |    |    |
| ハウジングロック強度         |         |   |   |              |   |   |   |   |   |    |    |     |    |    |
| ポスト保持力             |         |   |   |              |   |   |   | 2 |   |    |    |     |    |    |
| こじり耐久性             |         |   |   | 5            |   |   |   |   |   |    |    |     |    |    |
| はんだ付け性             |         |   |   |              |   |   |   |   |   |    |    | 2   |    |    |

(a) 欄内の数字は試験を実施する順序を示す。



| 型番.         | 品名                                          |
|-------------|---------------------------------------------|
| □-316991-□  | 040 II 10極キャップアッセンブリ                        |
| □-1376019-□ | 070 II 16極キャップアッセンブリ                        |
| □-316993-□  | 040 II 20極キャップアッセンブリ                        |
| □-353105-□  | 040 II 24極キャップアッセンブリ                        |
| □-179059-□  | 040 II 36極キャップアッセンブリ                        |
| □-179091-□  | 040 II / 070 II 36極キャップアッセンブリ (コンビネーションタイプ) |
| □-316370-□  | 040 II 48極キャップアッセンブリ                        |
| □-1123630-□ | 040 II 48極キャップアッセンブリ                        |
| □-353110-□  | 040 II 72極キャップアッセンブリ                        |
| □-316988-□  | 040 II 10極プラグアッセンブリ                         |
| □-179054-□  | 040 II 16極プラグアッセンブリ                         |
| □-179093-□  | 070 II 16極プラグアッセンブリ                         |
| □-179057-□  | 040 II 20極プラグアッセンブリ                         |
| □-316371-□  | 040 II 24極プラグアッセンブリ                         |
| □-316372-□  | 040 II 24極プラグアッセンブリ                         |
| □-353112-□  | 040 II 24極プラグアッセンブリ                         |
| □-353107-□  | 040 II 24極プラグアッセンブリ                         |
| □-1123632-□ | 040 II 24極プラグアッセンブリ                         |
| □-175265-□  | 040 II リセプタクルコンタクト (S)                      |
| □-175268-□  | 070 II リセプタクルコンタクト (S)                      |
| □-175269-□  | 070 II リセプタクルコンタクト (M)                      |

附表 1

型番は、リスト中の親番号にダッシュ付きの1桁の数字をもって構成されます。  
 各親番号に対するダッシュ付きの型番の詳細は顧客用図面またはカタログを参照下さい。  
 なお、接頭の数字がゼロの場合はゼロ及びダッシュは省略されます。

製品組み合わせ

| プラグハウジング        |         | 040 II  |        |        | 070 II |
|-----------------|---------|---------|--------|--------|--------|
| キャップ<br>ハウジング極数 |         |         |        |        |        |
| 10              | 316991  | 316988  |        |        |        |
| 16              | 1376019 |         |        |        | 179093 |
| 20              | 316993  |         | 179057 |        |        |
| 24              | 353105  | 353107  |        |        |        |
| 36              | 179059  | 179054  | 179057 |        |        |
| 36              | 179091  |         | 179057 |        | 179093 |
| 48              | 316370  | 316371  | 316372 |        |        |
| 48              | 1123630 | 1123632 |        | 353112 |        |
| 72              | 353110  | 316371  | 316372 | 353112 |        |

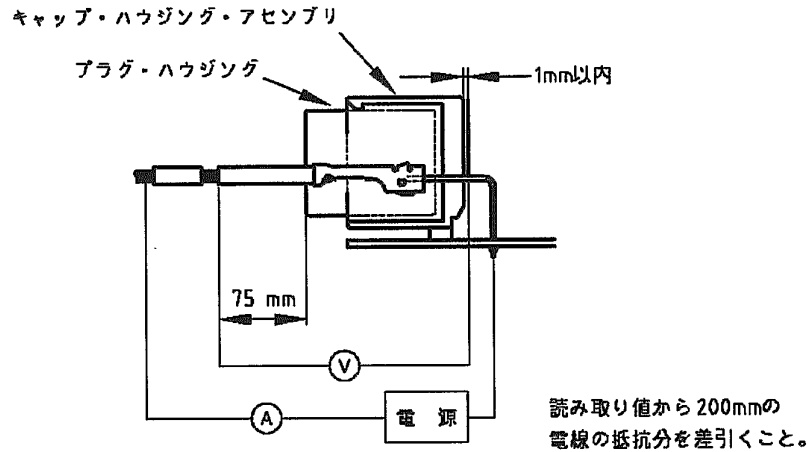


Fig. 2

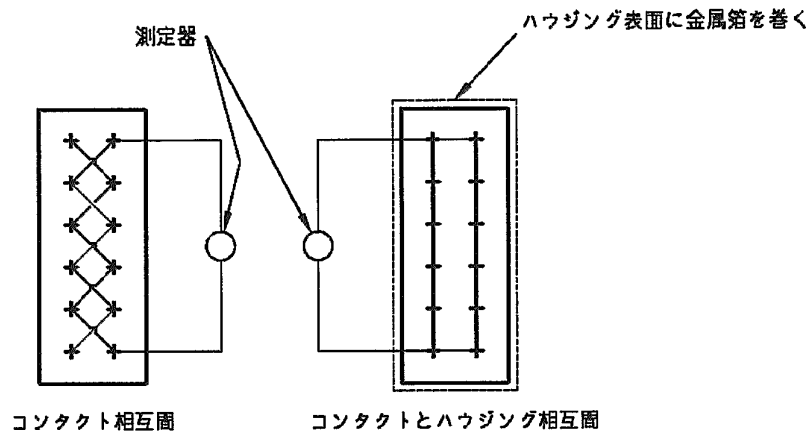


Fig. 3

Fig. 4

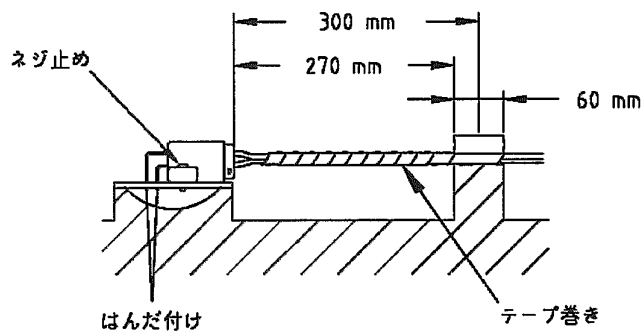
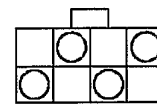


Fig. 5

<例> ○ : 通電極



半極通電

Fig. 6

単位 : mm

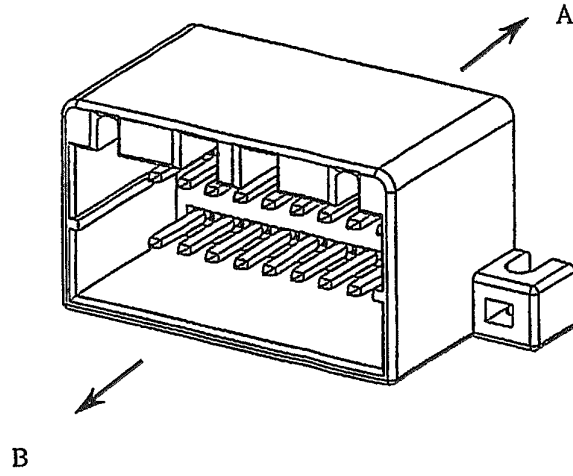


Fig. 7

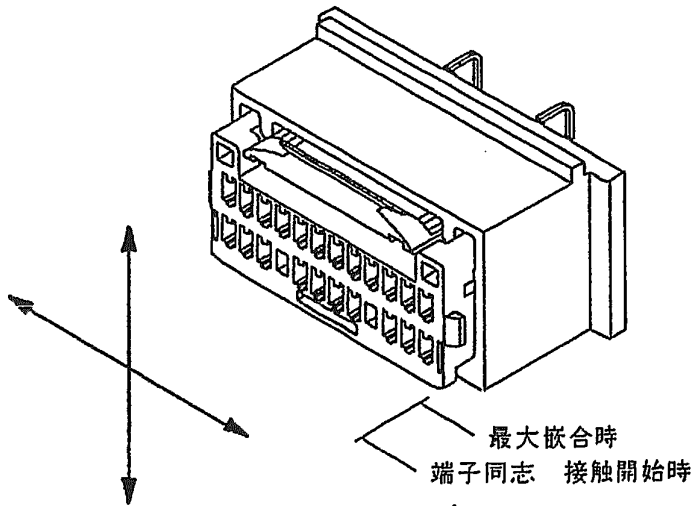


Fig. 8

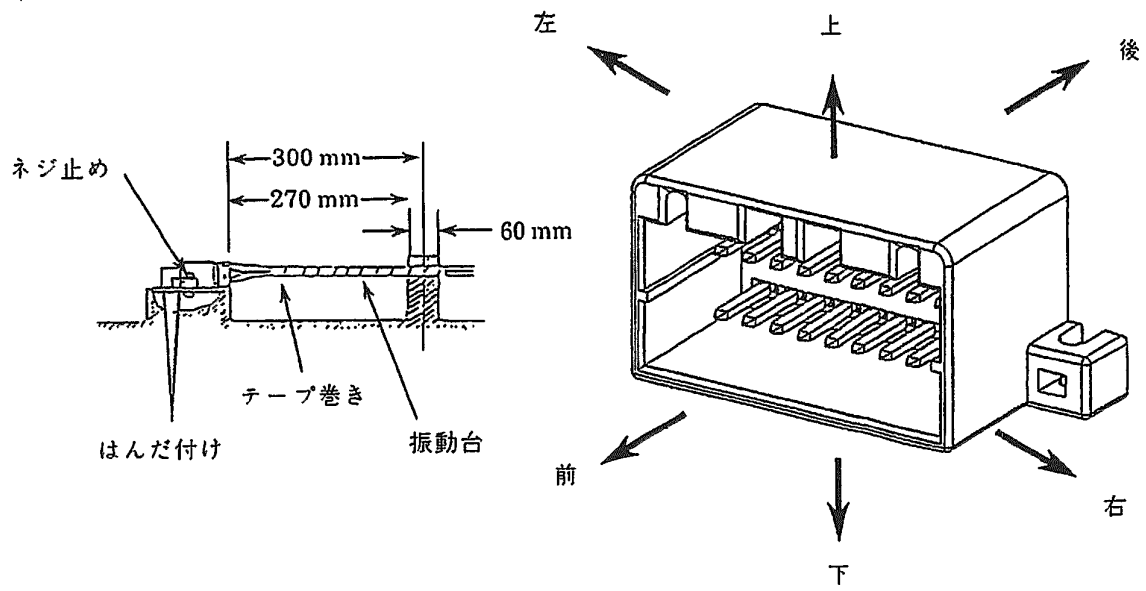


Fig. 9

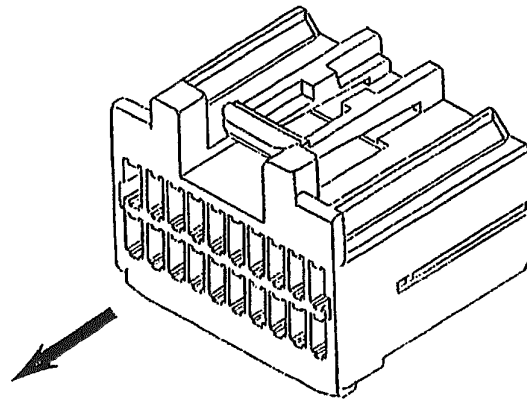


Fig. 10