

4

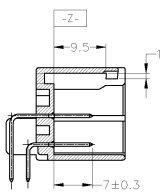
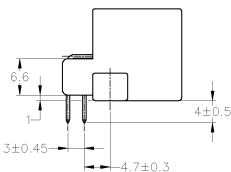
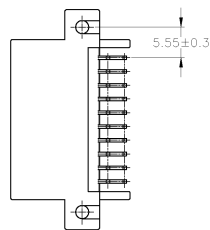
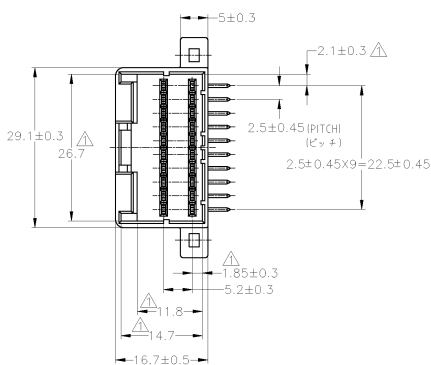
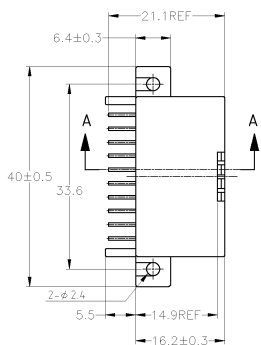
3

2

1

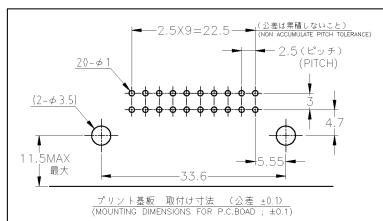
THIS DRAWING IS UNCLASSIFIED
UNLESS INDICATED OTHERWISE
ALL RIGHTS RESERVED

REV. NO.	DATE	BY	CHK	REVISIONS	
				DESCRIPTION	DATE
J					
C4				REVISED	ECR-11-016334
					08AUG11
					TS
					KB



A-A

- △ □ 3 基準 2mm 単位で測定
 - 2 適用プラグの長さを 1.6mm
 - 3 本品は標準プラグの長さ 174047
 - 4 推奨母板材料: JIS B1115, B1122 マット板, 90° 2層
厚さ 0.3mm 以上 (標準タイプ: 0.39mm 以上)
- △ TO BE MEASURED WITHIN 5mm FROM □
- 2 APPLICABLE P.C. BOARD THICKNESS: 1.6mm
 - 3 THE MATING PLUG HOUSING PART NUMBER: 174047
 - 4 RECOMMENDED MOUNTING SCREW: 3mm DIA, 7mm LENGTH (MIN.)
PAN HEAD, CLASS 2 TAPPING SCREW SPECIFIED IN JIS B1115,
B1122 (TIGHTENING TORQUE: 0.39N·m MAX.)



TIN-LEAD	SELECTIVE GOLD	BLUE	1-174055-9
TIN-LEAD	SELECTIVE GOLD	BLACK	1-174055-2
	PRE-TIN	YELLOW	174055-7
	PRE-TIN	BLUE	174055-5
	PRE-TIN	GREEN	174055-4
SELECTIVE-TIN (MATTE)	SELECTIVE-TIN (BRIGHT)	BLACK	174055-3
	PRE-TIN	BLACK	174055-2
OBsolete	PRE-TIN	BLACK	174055-1
SOLDERING SIDE #田付側	CONTACT SIDE 挿入側	COLOR 色	PART NUMBER 部品番号
CONTACT FINISH コネクタ仕上げ			

THIS DRAWING IS A CONTROLLED DOCUMENT.

DESIGNED BY I. SHINOHARA	DATE 15/08/05	REVISED BY K. BEITSUJI	DATE 15/08/05
DIMENSIONS 単位: mm		PRODUCT SPEC 製品仕様	
MATERIAL HOUSING: PBT CONTACT: BRASS		APPLICATION SPEC 取付板仕様	
FINISH 仕上げ		SEE TABLE	

TE Connectivity
040 SERIES MULTI-LOCK I/O CONNECTOR
20 POSITION CAP HOUSING ASSEMBLY
(HORIZONTAL TYPE)

SCALE: 2:1 SHEET: 1 of 1 REV: G4