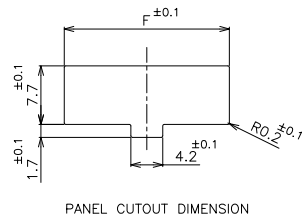
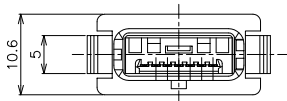
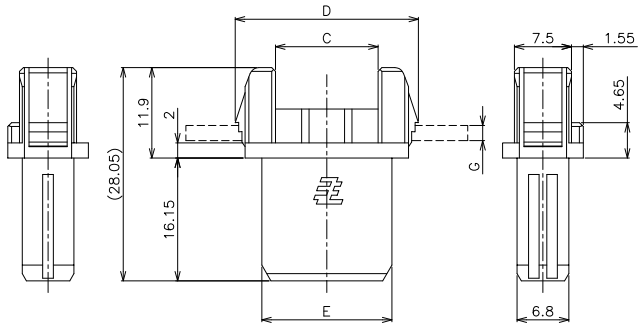
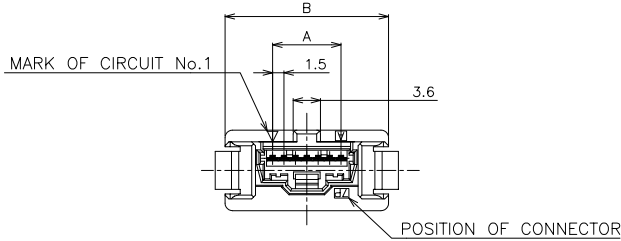


THIS DRAWING IS UNPUBLISHED. RELEASED FOR PUBLICATION AUG. 2002.
 © COPYRIGHT 2002 BY TYCO ELECTRONICS CORPORATION. ALL RIGHTS RESERVED.

LOC	DIST	REVISIONS					
ES	00	P	LTR	DESCRIPTION	DATE	DWN	APVD
		F		REVISED ECR-10-010197	17JUN11	T.Q	S.Y

AS SHOWN : 1612256-7



NOTES

- USE WITH MINI CT MT TYPE P/N : X-353293-X (ASSY)
 CRIMP TYPE P/N : 353907-1 (CONTACT)
 353918-1(L/P) (CONTACT)
 X-353908-X (HOUSING)
- MATERIAL HOUSING :PBT G.F. UL94 V-0, COLOR: BLACK
 CONTACT :COPPER ALLOY
 FINISH CONTACT : NICKEL UNDER PLATED ALL OVER
 CONTACT AREA : GOLD PLATED
 POST AREA : Sn 100% PLATED
- THE PANEL SHOULD BE PUNCHED SO THAT THE HOUSING ENTERS THE PANEL IN THE SAME DIRECTION AS PUNCH.
- FLOATING DIMENSION : 0.5 MAX (INCLUDE THE AMOUNT OF AXIAL GAPS)
- DIMENSION BETWEEN PANELS MUST BE SET 21.8-22.8mm. (INCLUDE THE CLEARANCE BETWEEN CONNECTOR AND PANEL)
- GENERAL TOLERANCE
 10 > ±0.2
 30 > >10:±0.25
 100 > >30:±0.3
 ANGLES:±3°
- SEQUENTIAL CIRCUIT NO. IS SHOWN IN TABLE.

1612257-7			21.7	17.1	24.1	13.5	21.5	9.0	1	7	7-1612256-7
1-1612257-4			32.2	27.6	34.6	24.0	32.0	19.5	2 & 9	14	7-1612256-4
1-1612257-4	21.8	±0.1	32.2	27.6	34.6	24.0	32.0	19.5	3	14	1-1612256-4
1-1612257-2		OR 2.0	29.2	24.6	31.6	21.0	29.0	16.5	3	12	1-1612256-2
1-1612257-0			26.2	21.6	28.6	18.0	26.0	13.5	3	10	1-1612256-0
1612257-7			21.7	17.1	24.1	13.5	21.5	9.0	3	7	1612256-7

COUNTER MATING CONNECTOR P/N	H	G	F	E	D	C	B	A	SEQUENTIAL CIRCUIT No.	Pos.	P/N
THIS DRAWING IS A CONTROLLED DOCUMENT.											
DIMENSIONS:			TOLERANCES UNLESS OTHERWISE SPECIFIED:			DWN			05AUG02		
MM			0 PLC ±			H.HOSHINO			TE Connectivity		
1 PLC ±			1.2			CHK			05AUG02		
2 PLC ±			2.0			T.KUSUHARA					
3 PLC ±						APVD			05AUG02		
4 PLC ±						I.ENOMOTO			NAME		
ANGLES ±						PRODUCT SPEC			108-5836		
						APPLICATION SPEC			SIZE		
MATERIAL			FINISH			WEIGHT			CAGE CODE		
									DRAWING NO		
									RESTRICTED TO		
									A3 00779 C=1612256		
									CUSTOMER DRAWING		
									SCALE 2:1		
									SHEET 1 OF 2		
									REV F		

4

3

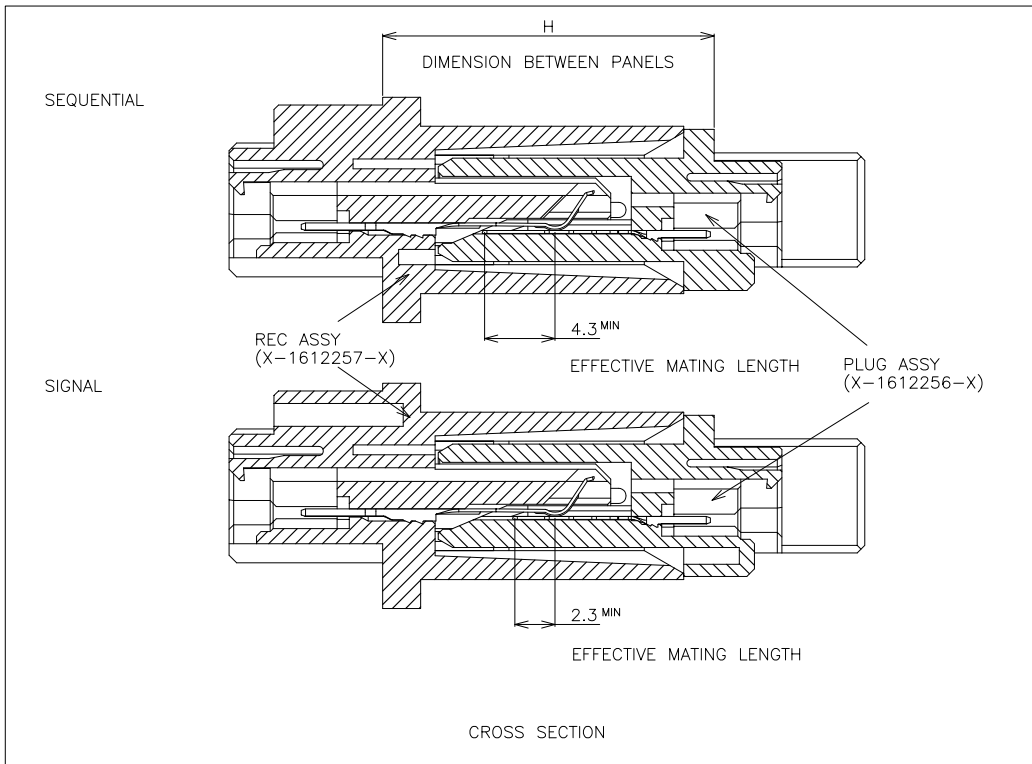
2

1

THIS DRAWING IS UNPUBLISHED. RELEASED FOR PUBLICATION AUG. 2002.
 © COPYRIGHT 2002 BY TYCO ELECTRONICS CORPORATION. ALL RIGHTS RESERVED.

LOC	DIST	REVISIONS		
ES	00	P	LTR	DESCRIPTION
		-		SEE SHEET 1
			DATE	DWN
			-	-
			APVD	-

AS SHOWN : 1612256-7



THIS DRAWING IS A CONTROLLED DOCUMENT.

DIMENSIONS:	TOLERANCES UNLESS OTHERWISE SPECIFIED:
MM	0 PLC ±
	1 PLC ±
	2 PLC ±
	3 PLC ±
	4 PLC ±
	ANGLES ±
MATERIAL	FINISH

DWN
CHK
APVD
PRODUCT SPEC
APPLICATION SPEC
WEIGHT
CUSTOMER DRAWING

TE TE Connectivity

NAME: PLUG ASSEMBLY
 MINI CT DC DRAWER SNAP-FIT
 SINGLE ROW TYPE

SIZE: A3 CAGE CODE: 00779 DRAWING NO: C=1612256 RESTRICTED TO: -

SCALE: 4:1 SHEET: 2 OF 2 REV: F