

4

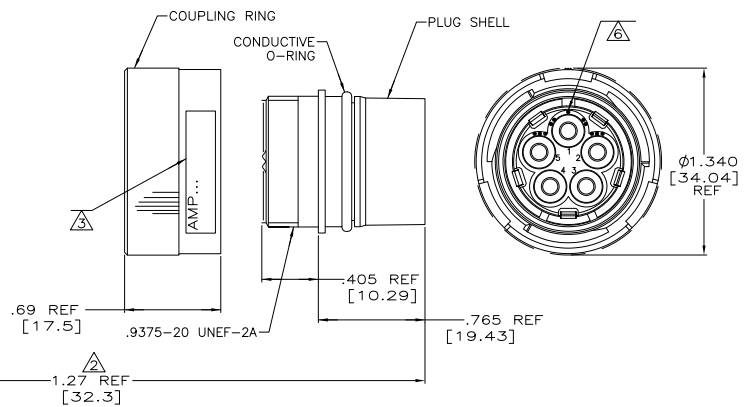
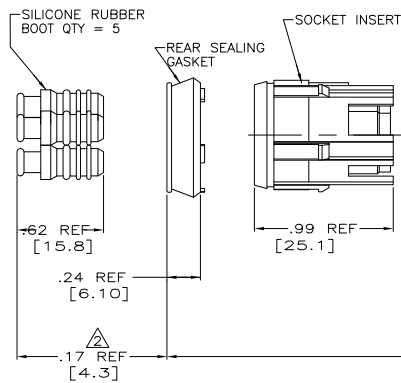
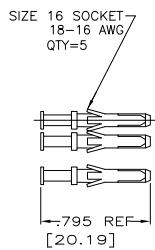
3

2

1

THIS DRAWING IS UNPUBLISHED. RELEASED FOR PUBLICATION
 © COPYRIGHT BY TYCO ELECTRONICS CORPORATION. ALL INTERNATIONAL RIGHTS RESERVED.

LOC	DIBT	REVISIONS			DATE	BY	APPD
		P	LTR	DESCRIPTION			
DF	SO	L		ECD-10-006747	14APR10	PY	DE



1. THIS PLUG REQUIRES A SIZE 16 MIL-C-38999F BACKSHELL OR EQUIVALENT STRAIN RELIEF.
 2. THE INDICATED DIMENSIONS APPLY AFTER ASSEMBLY. COMPLETE OVERALL DIMENSIONS AFTER ASSEMBLY DEPEND UPON THE SPECIFIC BACKSHELL OR STRAIN RELIEF USED.
 3. MARKED PER MIL-STD-130, .06 HIGH CHARS., WITH WHITE INK. SEE TABLE FOR SPECIAL MARKING.
 4. TO ASSEMBLE SEE INSTRUCTION SHEET #864886-2.
 5. THE THREE OUTER COUPLING RING LATCHES ARE BONDED TO INNER HELIX RING WITH AN EPOXY BASE ADHESIVE.
- △ SINGLE DOT POLARIZATION SHOWN FOR REFERENCE ONLY.

OBSOLETE	(00779/AMP 863752-4)DATE CODE	49956-848285-4B REV M	863752-4
OBSOLETE	(00779/AMP 863752-3)DATE CODE	49956-848285-4A REV M	863752-3
OBSOLETE	(00779/AMP 863752-2)DATE CODE	49956-848285-4 REV M	863752-2
	(00779/AMP 863752-1)DATE CODE	-	863752-1
AMP INFO		CUSTOMER INFO	PART NO.

DIMENSIONS:		TOLERANCES UNLESS OTHERWISE SPECIFIED:		MARKING		THIS DRAWING IS A CONTROLLED DOCUMENT.	
INCHES	0 PLC	±	—	DATE	11-19-96	BY	C. C. THOMAS
	1 PLC	±	—	CHK	11-26-96	BY	C. SHELLY
	2 PLC	±	—	APPD	—	NAME	—
	3 PLC	±	—	PRODUCT SPEC	—	NAME	—
	4 PLC	±	—	APPLICATION SPEC	—	NAME	—
	5 PLC	±	—	WEIGHT	—	SIZE	A2
	ANGLES	±	—	CAGE CODE	—	DRAWING NO.	C-863752
	FINISH	±	—	RESTRICTED TO	—	SCALE	2:1
MATERIAL				CUSTOMER DRAWING		SHEET	1 of 1
						REV	L

CUSTOMER DRAWING

1471-9 (1/08)

863752

A