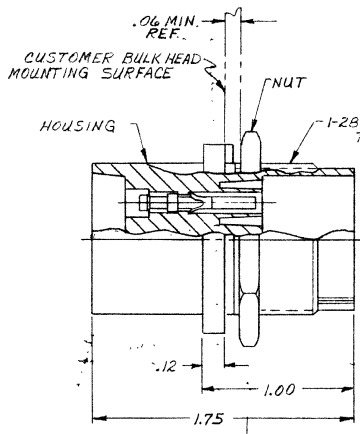


DRAWING MADE IN AMERICAN PROJECTION

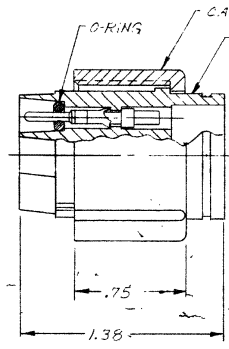
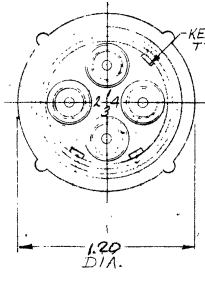
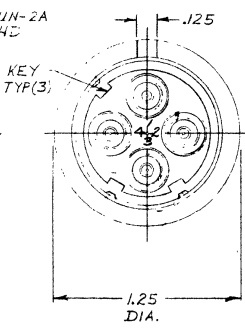
© 1964 BY AMP INCORPORATED. ALL RIGHTS RESERVED. AMP PRODUCTS COVERED BY PATENTS AND/OR PATENTS PENDING.

THIS PRODUCT DESIGNED AND BUILT BY AMP INCORPORATED. NO LICENSE TO USE THIS DESIGN IN MANUFACTURE, OR TO USE ANY ISSUED OR PENDING PATENTS WHICH ARE INVOLVED, IS IMPLIED.

REVISIONS				
ZONE	LTR	DESCRIPTION	DATE	APPROVED
B-3	A	REV. DWG 859526 WAS -1-2-72	7/20/77	JJ.G.
B-3	B	REV. PFA 0414-120-04	10-07-77	CT



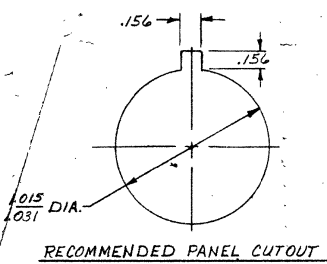
RECEPTACLE



PLUG

AMP P/N	RECEPTACLE	PLUG	WIRE SIZE RANGE	HAND TOOL
863017-1	859526-4	863077-1	20, 22, 24	45093
863017-2	859526-5	863077-2	18, 16	45098
863017-3	859526-6	863077-3	14	45093

NOTE:
 1. PINS & SOCKETS SUPPLIED SEPARATELY IN PLASTIC BAG.
 2. TYPE II PINS (SOCKETS TO ACCEPT ONE (1) 20 AWG, (1) 22 AWG, OR (1) 24 AWG STRANDED WIRE.
 3. TYPE II PINS (SOCKETS TO ACCEPT ONE (1) 16 AWG, (1) 18 AWG, OR (1) 15 AWG STRANDED WIRE.
 4. TYPE II PINS (SOCKETS TO ACCEPT ONE (1) 14 AWG STRANDED WIRE.



QTY REQ -2	QTY REQ -1	ITEM NO.	DWG SIZE	PART OR IDENTIFYING NO.	NOMENCLATURE OR DESCRIPTION	SYMBOL
					4 PIN PLUG & RECEPTACLE KIT	
UNLESS OTHERWISE SPECIFIED: DIMENSIONS ARE IN INCHES TOLERANCES .00 = ± .000 = ±				CONTRACT NO. DR DICK STONE 3-1-76		
MATERIAL: MOLDED PLASTIC				AMP INCORPORATED CAPITON DIVISION ELIZABETHTOWN, PENNSYLVANIA		
FINISH: BLACK				NAME 4 PIN PLUG & RECEPTACLE KIT		
NEXT ASBY QTY REQ				DSGN APPD OTHER APPD		
NEXT ASBY QTY REQ				SIZE C		
NEXT ASBY QTY REQ				CODE IDENT NO. 00779		
NEXT ASBY QTY REQ				NUMBER 863017		
NEXT ASBY QTY REQ				SCALE 2-1		
NEXT ASBY QTY REQ				SHEET 1/21		

CUSTOMER DRAWING