

4

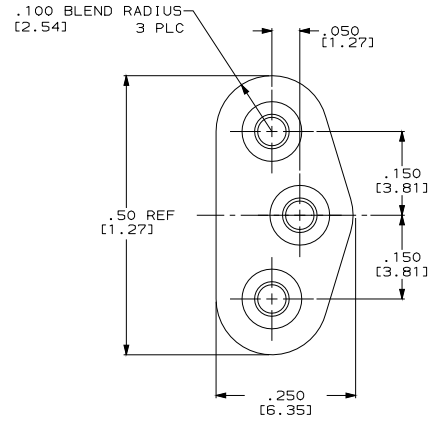
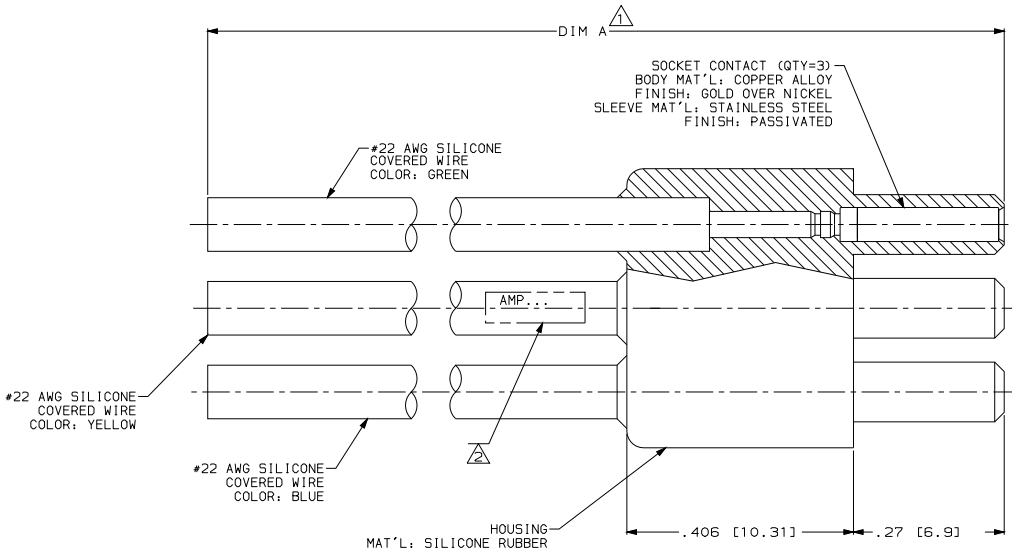
3

2

1

THIS DRAWING IS UNPUBLISHED.
 RELEASED FOR PUBLICATION
 BY AMP INCORPORATED. ALL RIGHTS RESERVED.

| LOC | DIST | REVISIONS | | | |
|-----|------|-----------|---------|--------------|----|
| DF | SO | REV | PER | DATE | BY |
| | | H | REV PER | 0414-0101-04 | CT |
| | | | | 2-04 | DE |



1 TOLERANCE: UP TO 24.00 [609.6] ±.12 [3.0]
 24.00 [609.6] AND UP ±1%
 2 AMP INFO MARKED PER MIL-STD-130.

| | | |
|----------|----------------|----------|
| | 80.00 [2032.0] | 862424-5 |
| | 48.00 [1219.2] | 862424-4 |
| OBSOLETE | 24.00 [609.6] | 862424-3 |
| | 18.00 [457.2] | 862424-2 |
| | 12.00 [304.8] | 862424-1 |
| | A DIM | PART NO. |

| | | | | | |
|--|--|------------------|--------------|---------|-------------------------------|
| THIS DRAWING IS A CONTROLLED DOCUMENT. | | DW | C. C. THOMAS | 1/26/99 | AMP Incorporated |
| | | CHK | D. EARY | 2-5-99 | Harrisburg, PA 17105-3608 |
| | | APP'D | D. EARY | 2-5-99 | AMP |
| | | PRODUCT SPEC | | | PLUG, LGH, 3 POSN., MICRO-MIN |
| | | APPLICATION SPEC | | | SIZE CASE CODE DRAWING NO |
| | | WEIGHT | | | A2 00779 C-862424 |
| | | CUSTOMER DRAWING | | | RESTRICTED TO |
| | | | | | SCALE 8:1 SHEET 1 OF 1 REV H |