

4

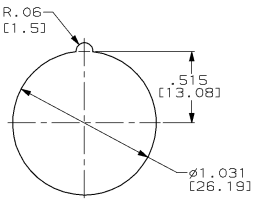
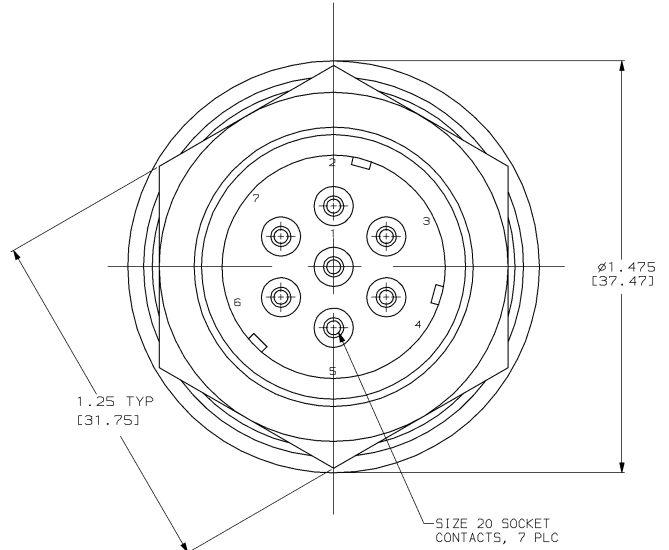
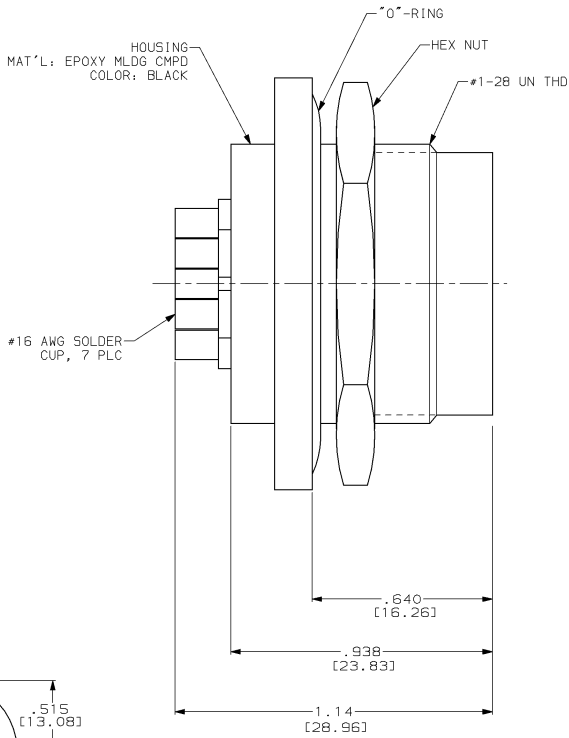
3

2

1

THIS DRAWING IS UNPUBLISHED. RELEASED FOR PUBLICATION  
 BY AMP INCORPORATED. ALL RIGHTS RESERVED.

LOC	QTY	REV	DESCRIPTION	DATE	BY	APP
DF	SO	F	LWR			
		B	REDRAWN PER 0600-6253-97	CT 7-97	CT	SG



RECOMMENDED PANEL CUTOUT  
 SCALE 2:1  
 MAX PANEL THICKNESS: .125 [3.18]

1. MARKED PER MIL-STD-130.

861999-1  
 PART NUMBER

THIS DRAWING IS A CONTROLLED DOCUMENT.		DN C. C. THOMAS 7-18-97	AMP Incorporated Harrisburg, PA 17105-3608
DIMENSIONS: INCHES (mm)		CK S. GLATERLTER 9-4-97	
TOLERANCES UNLESS SPECIFIED:		APP S. GLATERLTER 9-4-97	NAME 7 PIN MINIATURE RCPT KIT, LGH
Ø PLC ±.001 (0.025)	PLC ±.010 (0.25)	PRODUCT SPEC	APPLICATION SPEC
ANGLES ±.5°		HEIGHT	SIZE A2 00779
SEE CALLOUTS	SEE CALLOUTS	CUSTOMER DRAWING	SCALE 4:1
			DRAWING NO 861999
			SCALE 4:1 SHEET 1 OF 1 REV B