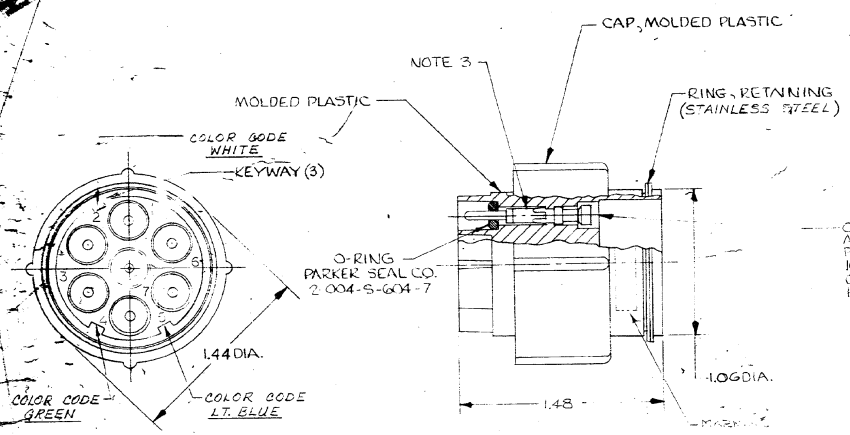


AMERICAN PROJECTION
 AMP INCORPORATED. ALL
 RESERVES. AMP PRODUCTS
 MADE BY LICENSEES AND/OR
 OTHERS PERMITS.

REVISIONS				
ZONE	LTR	DESCRIPTION	DATE	APPROVAL
C		ADDED - 3 8'-4	11/14	11/14
D		ADDED - 5	DS 10-1-55	11/14
E		ADDED - NOTE 7	DS 3-27-58	11/14
F		ADDED - 6	DS 10-6-76	11/14
G		ADDED - 7, 8, 9	DS 6-28-77	11/14
H		OBS 3-7-5 EGNDF 0276	2-83	11/14



CUSTOMER TO ATTACH LEADS & PROTECT AGAINST ARC-OVER & BREAKDOWN BY POTTINGS. PINS TO BE COATED WITH RTV JOB AND INSERTED IN CAVITIES, AFTER CURING FILL BACK END OF PLUG WITH HYDOL 4710 (REF AMP # 340710-2)

AMP #	WIRE SIZE (AWG)	HAND (L/R)	COLOR CODING
861648-1	20, 22, 24	45099	YES
861648-2	14	45098	YES
861648-3	20-24 COAX	100M-69656	YES
861648-4	20-24 COAX	100M-69656	YES
861648-5	14	45098	YES
861648-6			YES
861648-7	20, 22, 24	45099	NO
861648-8	16, 18	45098	NO
861648-9	14	45098	NO

TYPE II PINS TO ACCEPT ONE (1) 14 AWG STRANDED WIRE.

- NOTE:
1. PLUG ASSY WILL WITHSTAND WITHOUT BREAKDOWN 27 KVDC PIN TO PIN & 27 KVDC PIN TO GND. WHEN MATED WITH RECEPTACLE 861647-1
 2. MARKING TO BE WHITE
 3. TO ELIMINATE USER EXTRA TOOLS, PINS
 4. PLUG & PINS TO BE SHIPPED SEPARATELY.
 5. TYPE II PINS TO ACCEPT ONE (1) 20 AWG, (1) 22 AWG, OR (1) 24 AWG STRANDED WIRE
 6. TYPE II PINS TO ACCEPT ONE (1) 18 AWG OR (1) 18 AWG STRANDED WIRE

QTY REQD	QTY ORDER	ITEM NO.	QTY REQD	QTY ORDER	ITEM NO.	QTY REQD	QTY ORDER	ITEM NO.	QTY REQD	QTY ORDER	ITEM NO.

UNLESS OTHERWISE SPECIFIED: DIMENSIONS ARE IN INCHES TOLERANCES .00 = ±.04 ANGLES = .000 = ±.015		CONTRACT NO.		AMP INCORPORATED CAPTIVE DIVISION ELIZABETHTOWN, PENNSYLVANIA	
MATERIAL:		DR. 18001		NAME	
FINISH: BLACK		CHK. A		PLUG ASSY, H.V. 7 PIN	
NEXT ASSY		APPRO. 3/7/77		EGH	
FINAL ASSY		APPRO. 3/7/77		SIZE CODE IDENT NO. NUMBER	
NEXT ASSY		OTHER APPD.		C 00779 861648	
USED ON		SCALE		UT	
APPLICATION		PARTS LIST		PARTS	