

4

3

2

1

THIS DRAWING IS UNPUBLISHED.

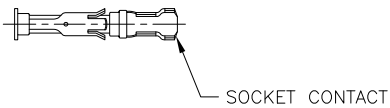
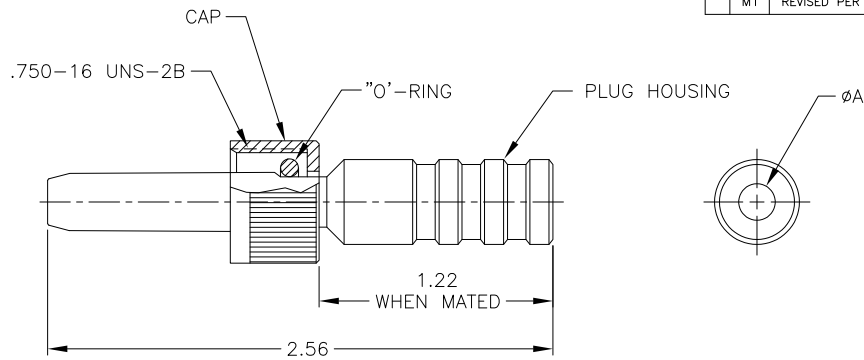
RELEASED FOR PUBLICATION

ALL RIGHTS RESERVED.

LOC DF SO

REVISIONS

P	LTR	DESCRIPTION	DATE	DWN	APVD
M1		REVISED PER ECO-11-005030	11MAR11	RK	HMR



20-22 AWG	.302	1-66399-0	5-861610-4	
16-18 AWG	.185	1-66101-9	5-861610-3	
16-18 AWG	.302	1-66101-9	5-861610-2	
20-22 AWG	.185	1-66399-0	5-861610-1	
OBSOLETE	14 AWG	.302	66360-2	861610-8
OBSOLETE	14 AWG	.185	66360-2	861610-7
-		.302	-	861610-6
-		.185	-	861610-5
20-22 AWG	.302	66399-1	861610-4	
16-18 AWG	.185	66101-2	861610-3	
16-18 AWG	.302	66101-2	861610-2	
20-22 AWG	.185	66399-1	861610-1	
SOCKET WIRE SIZE	DIM A	SOCKET CONTACT TYPE III+ QTY = 1	PART NUMBER	

1. MAX VOLTAGE AFTER PROPER ASSEMBLY: 20 KVDC
2. MATES WITH TYCO P/N'S: 861611, 861753 AND 862197.

DIMENSIONS:		TOLERANCES UNLESS OTHERWISE SPECIFIED:		DWN		TE Connectivity	
INCHES				C.C.THOMAS		11OCT04	
0 PLC		± -		CHK		10-12-04	
1 PLC		± -		D.EABY		10-12-04	
2 PLC		± .01		APVD		10-12-04	
3 PLC		± .005		NAME		KIT,HI-VOLTAGE PLUG,LGH	
4 PLC		± -		PRODUCT SPEC		-	
ANGLES		± -		APPLICATION SPEC		-	
MATERIAL		FINISH		WEIGHT		RESTRICTED TO	
-		-		-		-	
CUSTOMER DRAWING				SIZE		CAGE CODE	
				A3		00779	
				DRAWING NO		C-861610	
				SCALE		SHEET	
				2:1		1 OF 1	
				REV		M1	

1470-19 (3/11)