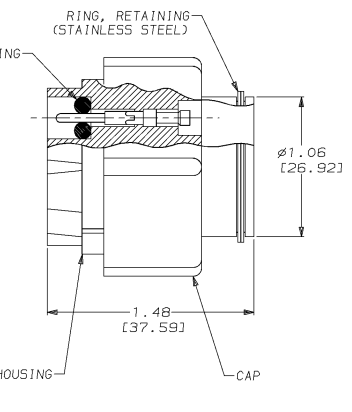
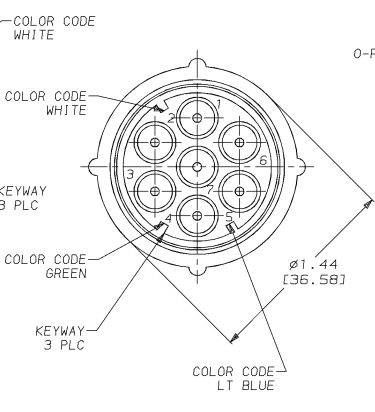
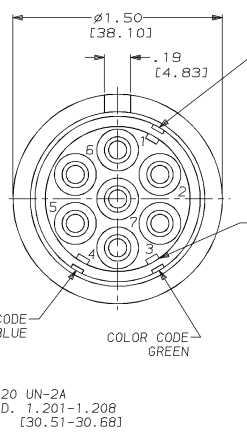
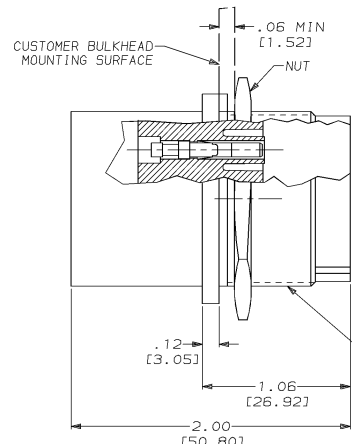


THIS DRAWING IS UNPUBLISHED. RELEASED FOR PUBLICATION. BY AMP INCORPORATED. ALL RIGHTS RESERVED.

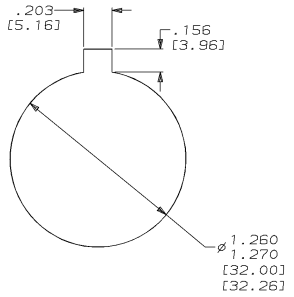
LOC	DIST	REV	PER	DATE	BY	APP'D
DF	SO	K	REV PER 0600-2174-94	04-19-95	TT	DE



RECEPTACLE

PLUG

- 1. MARK PER AMP SPEC 118-3600 (WHITE) #7254.
- 2. TYPE II PINS & SOCKETS, WIRE RANGE #20 AWG -#24 AWG.
- 3. TYPE II PINS & SOCKETS, WIRE RANGE #16 AWG -#18 AWG.
- 4. TYPE II PINS & SOCKETS, WIRE RANGE #14 AWG.



RECOMMENDED PANEL CUTOUT

REMARKS	COLOR CODE	HAND TOOL	WIRE SIZE RANGE	PLUG	RECEPTACLE	PART NUMBER
OBSOLETE	NO	45098	14	861648-9	861647-9	860825-8
	NO	45098	16, 18	861648-8	861647-8	860825-7
	NO	45099	20, 22, 24	861648-7	861647-7	860825-6
OBSOLETE	YES	45098	14	861648-5	861647-5	860825-5
OBSOLETE	YES	5 COAX 69656	20, 24 & COAX	861648-4	861647-4	860825-4
OBSOLETE	YES	1 COAX 69656	20, 24 & COAX	861648-3	861647-3	860825-3
	YES	45098	16, 18	861648-2	861647-2	860825-2
	YES	45099	20, 22, 24	861648-1	861647-1	860825-1

DIMENSIONS (INCH) DIMENSIONS (MILLIMETER)		D. THOMPSON 03-08-95 D. EABY 04-19-95	<b>AMP</b> AMP Incorporated Harrisburg, PA 17105-3608
MATERIAL: MOLDED PLASTIC FINISH: BLACK		NAME: D. EABY PRODUCT SPEC: - APPLICATION SPEC: - WEIGHT: - CUSTOMER DRAWING	
7 PIN PLUG & RECEPTACLE KIT LGH			SIZE: A2 CASE CODE: 00779 DRAWING NO: C-860825 SCALE: 2:1 SHEET 1 OF 1 REV K