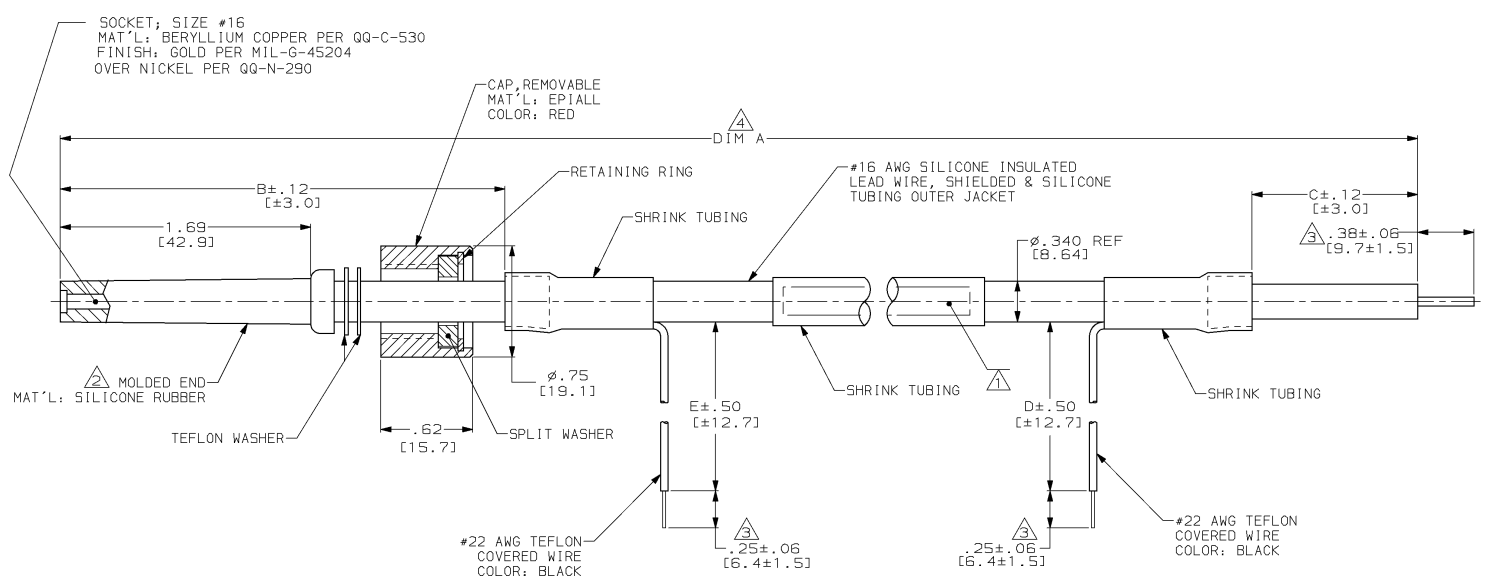


4 3 2 1

THIS DRAWING IS UNPUBLISHED. RELEASED FOR PUBLICATION .19

© COPYRIGHT 19 BY AMP INCORPORATED. ALL INTERNATIONAL RIGHTS RESERVED.

PROJ	LOC	DIST	P	F	ZONE	LTR	REVISIONS	DATE	APPD	
4092	DF	50				H	REV PER 0600-7522-98	CT	5-98	SS



6.00 [152.4]	-	6.00 [152.4]	3.00 [76.2]	130.00 [3302.0]	860446-9
6.00 [152.4]	-	13.00 [330.2]	3.00 [76.2]	150.00 [3810.0]	860446-8
6.00 [152.4]	-	10.00 [254.0]	3.00 [76.2]	157.00 [3987.8]	860446-7
6.00 [152.4]	-	35.00 [889.0]	3.00 [76.2]	128.00 [3251.2]	860446-6
6.00 [152.4]	-	24.00 [609.6]	3.00 [76.2]	50.00 [1270.0]	860446-5
6.00 [152.4]	-	13.00 [330.2]	3.00 [76.2]	36.00 [914.4]	860446-4
6.00 [152.4]	-	13.00 [330.2]	3.00 [76.2]	41.00 [1041.4]	860446-3
6.00 [152.4]	-	8.00 [203.2]	3.00 [76.2]	51.00 [1295.4]	860446-2
-	6.00 [152.4]	3.00 [76.2]	3.50 [88.9]	29.00 [736.6]	860446-1
DIM E	DIM D	DIM C	DIM B	DIM A	PART NUMBER

- △ MARKED PER MIL-STD-130.
- △ TO MATE WITH ANY AMP LGH-1L RECEPTACLE WITH A 1.69 [43.0] BARREL DEPTH.
- △ PIG TAIL IS SOLDER DIPPED.
- △ TOLERANCE: UP TO 24.00 [609.6] = ±.12 [±3.0]
24.00 [609.6] & UP = ±1%

THIS DRAWING IS A CONTROLLED DOCUMENT FOR AMP INCORPORATED. IT IS SUBJECT TO CHANGE AND THE CONTROLLING ENGINEERING ORGANIZATION SHOULD BE CONTACTED FOR THE LATEST REVISION.

DO NOT SCALE PRINT.
UNLESS SPECIFIED
DIMENSIONS IN INCHES [mm]
TOLERANCES ON:
2 PLC DEC ±.02 [0.5]
3 PLC DEC ±.015 [0.38]
ANGLES ± -

DR 10-29-96
C.C. THOMAS

CHK 10-31-96
S. GLATFELTER

APPD 10-31-96
S. GLATFELTER

RLSE 10-31-96
C.C. THOMAS

APPLICATION SPEC

WEIGHT -

AMP AMP Incorporated
Harrisburg, PA 17105-3608

NAME
LEAD ASSY, SGL. END, LGH-1L WITH REMOVABLE CAP

SIZE CAGE CODE DRAWING NO
00779 C=860446

SCALE 2:1 SHEET 1 OF 1