

4

3

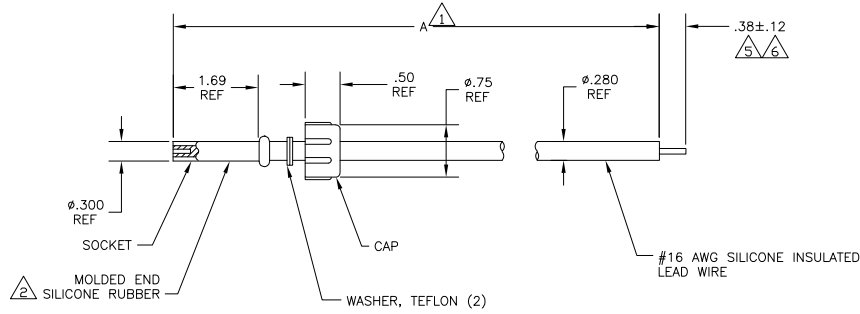
2

1

THIS DRAWING IS UNPUBLISHED. RELEASED FOR PUBLICATION
 © COPYRIGHT BY TYCO ELECTRONICS CORPORATION. ALL RIGHTS RESERVED.

LOC	DIST	REVISIONS				
DF	S5	P	LTR	DATE	MIN	APD
		A	REV PER EDD	050-015021	30JAN06	BL CT

- 1 TOLERANCE: UP TO 24" = ±.12
24" & UP = 1%
- 2 TO MATE WITH AMP LGH-1L RECEPTACLE WITH 1.69 BARREL DEPTH.
- 3. COLOR OF WIRE INSULATION IS RED.
- 4. MARK PER MIL-STD-130.
- 5 PICTAIL IS SOLDER DIPPED.
- 6 INSULATION CUT, BUT NOT REMOVED.



AMP PART NO.	A	CUST PART NO.	REMARKS
868361-1	79.00	-	5
5-868361-1	79.00	-	6

THIS DRAWING IS A CONTROLLED DOCUMENT.		DR: R. HEDNER 12-16-05	Tyco Electronics Corporation Harrisburg, PA 17105-3608
DIMENSIONS: INCHES		OK: M. GARDNER 12-16-05	
DIMENSIONS: INCHES TOLERANCES UNLESS OTHERWISE SPECIFIED: Ø PLC ± .005 Ø PLC ± .005 Ø PLC ± .005 Ø PLC ± .005 ANGLES ± .5° FINISH -		APP: M. GARDNER 12-16-05	NAME: M. GARDNER SIZE: A2 CAGE CODE: 00779 DRAWING NO: C-868361 RESTRICTED TO: -
MATERIAL: -		APPLICATION SPEC: -	SCALE: 1:1
FINISH: -		WEIGHT: -	SHEET: 1 of 1
		CUSTOMER DRAWING	REV: A

AMP 1471-9 REV 31MM2000

30JAN2006 1:38pm us018845 H:\docmod\868361_1-c.dwg