

4

3

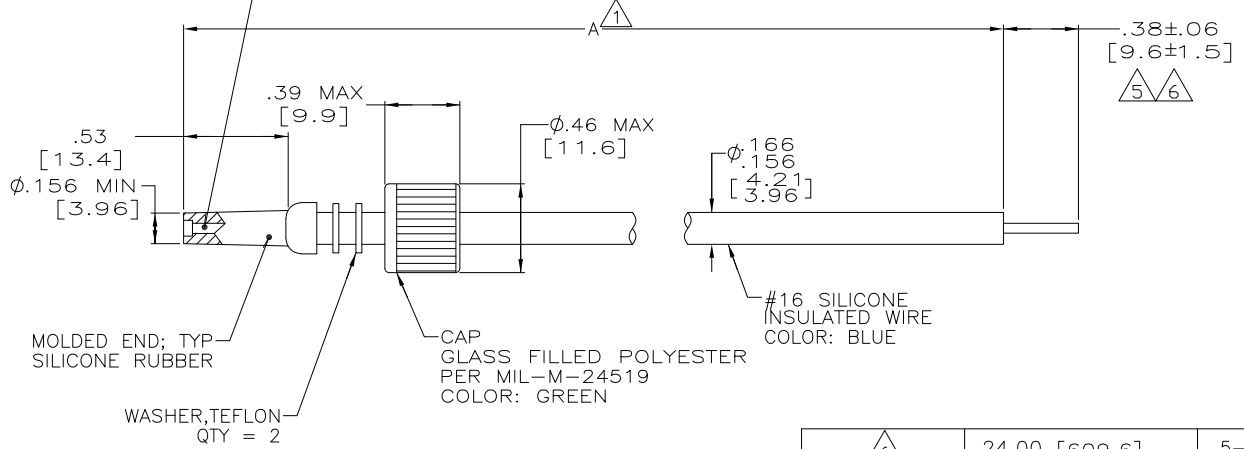
2

1

THIS DRAWING IS UNPUBLISHED. RELEASED FOR PUBLICATION
 © COPYRIGHT - BY TYCO ELECTRONICS CORPORATION. ALL RIGHTS RESERVED.

| LOC | DIST | REVISIONS | | | |
|-----|------|-------------|-----------------------|---------|-------|
| P | LTR | DESCRIPTION | DATE | DWN | APVD |
| DF | SO | E | REV PER ECO 05-015021 | 27JAN06 | BL CT |

SOCKET; SIZE #16
 MAT'L: Be Cu PER QQ-C-530
 FINISH: GOLD PER MIL-G-24308
 OVER NICKEL PER QQ-N-290



- 1 TOLERANCE OF LEAD LENGTH:
 UP TO 24 INCHES [609.6] = .12[±3.0]
 24 INCHES [609.6] & UP = ±1%
- 2. MARKED PER MIL-STD-130.
- 3. TO MATE WITH AMP LGH-1/2
 RECEPTACLE WITH .53 [13.4] BARREL DEPTH.
- 4. OPERATING VOLTAGE: 10 KVDC AT 0 TO 70,000 FEET,
 -55°C TO 125°C.
- 5 PIGTAIL IS SOLDER DIPPED.
- 6 INSULATION CUT, BUT NOT REMOVED.

| | | |
|---------|---------------|------------|
| 6 | 24.00 [609.6] | 5-868313-3 |
| 5 | 24.00 [609.6] | 868313-3 |
| 5 | 36.00 [914.4] | 868313-2 |
| 5 | 26.00 [660.4] | 868313-1 |
| REMARKS | A DIM 1 | PART NO |

| | | | | |
|--|--|-------------------------------|---|--|
| THIS DRAWING IS A CONTROLLED DOCUMENT. | | DWN C.C.THOMAS 1-11-90 | Tyco Electronics Corporation Harrisburg, PA 17105-3608 | |
| DIMENSIONS: INCHES | | CHK D.EABY 4-27-90 | NAME D.EABY | |
| TOLERANCES UNLESS OTHERWISE SPECIFIED: | | APVD C.C.THOMAS 4-27-90 | PRODUCT SPEC C.C.THOMAS 4-27-90 | |
| 0 PLC ± - | | APPLICATION SPEC | | |
| 1 PLC ± - | | WEIGHT | | |
| 2 PLC ± .02 [0.5] | | SIZE A3 | | |
| 3 PLC ± - | | CAGE CODE 00779 | | |
| 4 PLC ± - | | DRAWING NO 868313 | | |
| ANGLES ± - | | RESTRICTED TO | | |
| MATERIAL SEE CALLOUTS | | FINISH SEE CALLOUTS | | |
| CUSTOMER DRAWING | | SCALE 2:1 | | |
| | | SHEET 1 OF 1 | | |
| | | REV E | | |

AMP 1470-19 REV 31MAR2000

27JAN2006 2:43pm us0t8845

H:\ChuckThomas\868313_1-c.dwg