

4

3

2

1

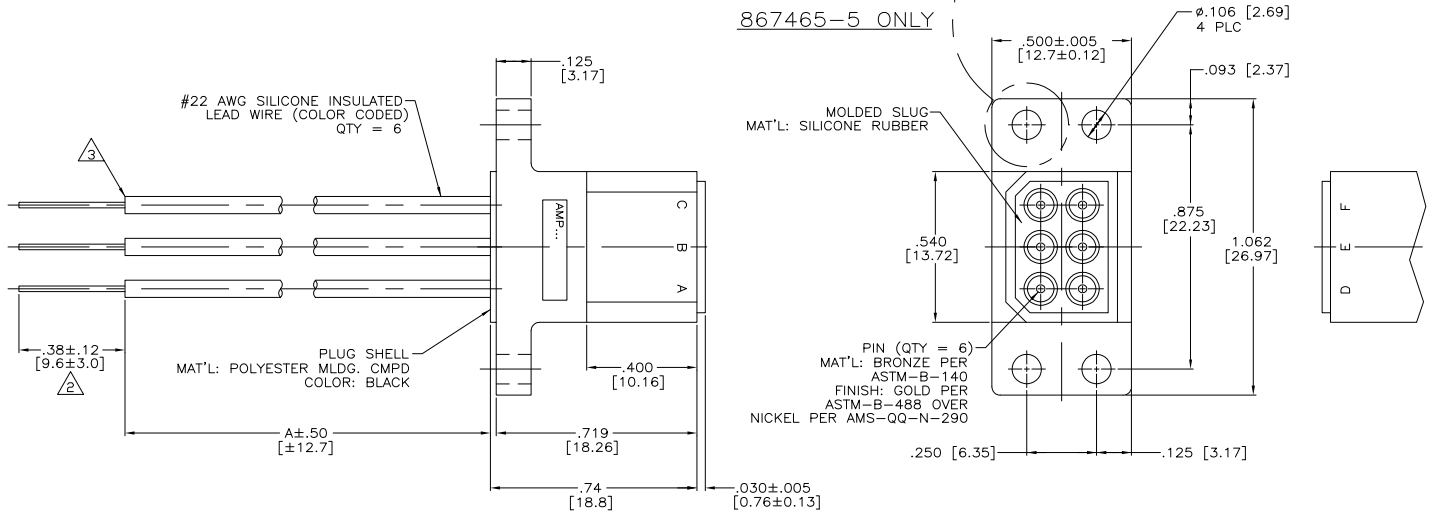
THIS DRAWING IS UNPUBLISHED. RELEASED FOR PUBLICATION - N/A.
 © COPYRIGHT N/A BY TYCO ELECTRONICS CORPORATION. ALL RIGHTS RESERVED.

LOC	DIST	REVISIONS					
DF	SO	P	LTR	DESCRIPTION	DATE	MIN	APPRO
		F		REV PER ECO-05-011907	15MAY06	PY	DE

1. CAVITY I.D. & AMP INFO. MARKED PER MIL-STD-130.
2. PIGTAILS ARE SOLDER DIPPED.
3. INSULATION CUT, BUT NOT REMOVED.

#2-56UNC-2B
4 PLC

867465-5 ONLY



A	BROWN
B	RED
C	GREEN
D	BLUE
E	BLACK
F	WHITE

SCHEMATIC

△	36.00	[914.4]	5-867465-3
△	24.00	[609.6]	5-867465-2
△	12.00	[304.8]	5-867465-1
△	12.00	[304.8]	867465-5
△	96.00	[2438.4]	867465-4
△	36.00	[914.4]	867465-3
△	24.00	[609.6]	867465-2
△	12.00	[304.8]	867465-1

REMARKS A DIM PART NO.

THIS DRAWING IS A CONTROLLED DOCUMENT.		DR: C. THOMAS 07-JUL-93	Tyco Electronics Corporation	
DIMENSIONS: INCHES (mm)		OK: D. EARY 13-OCT-93	Harrisburg, Pa 17105-3608	
MATERIAL: SEE CALLOUTS		APPRO: D. EARY 13-OCT-93	NAME: D. EARY	
FINISH: SEE CALLOUTS		PRODUCT SPEC: -	APPLICATION SPEC: -	
CUSTOMER DRAWING		HEIGHT: -	SIZE: A2	CHG CODE: 00779
		SCALE: 4:1	DRAWING NO: C-867465	RESTRICTED TO: -
		SHEET: 1 OF 1	REV: F	