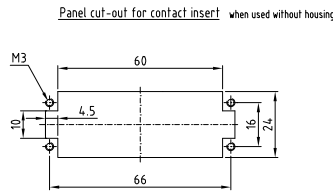
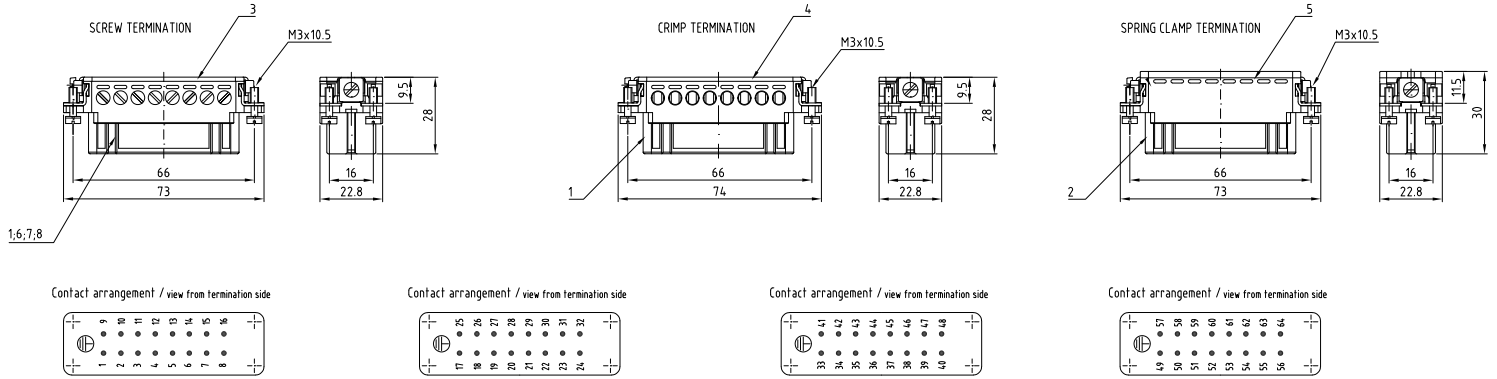
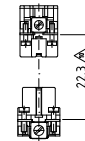


THIS DRAWING IS UNPUBLISHED. VERBODEN TO VERBODEN TO PUBLISHER. RELEASÉ FOR PUBLICATION. 1999. BY AMP INCORPORATED. ALL RIGHTS RESERVED. HA 16

LOC	QTY	REVISIONS	DATE	BY	APPD
AI	-	1	21.01.08	SR	ST
PROPERTY NO.	D2	Text for packaging corrected ECR-08-091003			



Assembling instruction



△ DISTANCE FOR SAFETY CONTACT MARKING MAX. 24 mm

NOTES:

- 1 SUITABLE CRIMP CONTACTS: SERIES HE/HA OUTER DIMENSIONS OF INSULATION: MAX. Ø3.2 MM
- 2 SUITABLE HOOD SIZE 5; 7; 9; 11: SERIES HA; HD SUITABLE INSERTION AND EXTRACTION TOOL: SCREWDRIVER 0,5x3 DIN 5264
- 3 Strip length: Screw connection 10mm Spring clamp connection 10mm Crimp connection 7.5mm
- 4 STANDARDS: DIN EN 61984; DIN EN 60664-1

- △ PACKAGING: 10 SETS IN A CARTON, PRE-MOUNTED
- △ SPECIAL PACKAGING: Krauss-Maffei PACKAGING UNIT: 300 PIECES
- △ SPECIAL PACKAGING: Krauss-Maffei PACKAGING UNIT: 150 PIECES
- △ SPECIAL PACKAGING: AIS PACKAGING UNIT: 250 PIECES
- △ SPECIAL PACKAGING: WIELAND PACKAGING UNIT: 100 PIECES

DESCRIPTION / BENENNUNG	MATERIAL	COLOR / FARBE	ITEM NO. POS.	REMARKS / BEMERKUNGEN
Socket insert screw	PBT	light beige	8	with stainless steel-fixing screw
Socket insert screw	PBT	light beige	7	with stainless steel-fixing screw
Socket insert screw	PBT	light beige	6	with AU contact
Cover	PBT	light beige	5	
Cover	PBT	light beige	4	
Cover	PBT	light beige	3	
Socket insert spring clamp	PBT	light beige	2	
Socket insert crimp screw	PBT	light beige	1	

HA 16 BUS B 1-16 WIE	HA 16 BUS B 1-16 AIS	HA 16 BUS B 17-32 KM	HA 16 BUS B 1-16 KM	HA 16 BUS B VAB 1-16	HA 16 BUS B VAB 17-32	HA 16 BUS B AUB 1-16	HA 16 BUS B 49-64	HA 16 BUS B 49-64	HA 16 BUS B 33-48	HA 16 BUS B 33-48	HA 16 BUS B 17-32	HA 16 BUS B 17-32	HA 16 BUS B 1-16	HA 16 BUS B 1-16
1	1	1	1	1	1	1	1	1	1	1	1	1	1	1

<p>THE DIMENSIONS GIVEN IN THIS DRAWING FOR INFORMATION PURPOSES ONLY. THE DIMENSIONS OF THE PARTS MUST BE CHECKED BY THE CUSTOMER. THE DIMENSIONS OF THE PARTS MUST BE CHECKED BY THE CUSTOMER. THE DIMENSIONS OF THE PARTS MUST BE CHECKED BY THE CUSTOMER.</p> <p>ALLE DIMENSIONEN SIND IN MILLIMETERN ANGEBEN. DIE DIMENSIONEN DER TEILE MÜSSEN VON DEM KUNDEN ÜBERPRÜFT WERDEN. DIE DIMENSIONEN DER TEILE MÜSSEN VON DEM KUNDEN ÜBERPRÜFT WERDEN. DIE DIMENSIONEN DER TEILE MÜSSEN VON DEM KUNDEN ÜBERPRÜFT WERDEN.</p> <p>ALL DIMENSIONS ARE GIVEN IN MILLIMETERS. THE DIMENSIONS OF THE PARTS MUST BE CHECKED BY THE CUSTOMER. THE DIMENSIONS OF THE PARTS MUST BE CHECKED BY THE CUSTOMER. THE DIMENSIONS OF THE PARTS MUST BE CHECKED BY THE CUSTOMER.</p>	<p>SN: Schneider 99.02.2004</p> <p>OS: Schneider 99.02.2004</p> <p>APP: Tyco Electronics</p> <p>NAME: HTS Elektrotechnik</p> <p>ADDRESS: 53819 Neunkirchen, Germany</p> <p>PRODUCT SPEC: 108-74007</p> <p>PRODUCTION SPEC: 114-74009</p> <p>APPLICATION SPEC: 114-74009</p> <p>WEIGHT: -</p>	<p>Female insert</p> <p>HA 16 BUC/S</p> <p>SIZE: A2</p> <p>CASE CODE: 000779</p> <p>DRAWING NO.: 11034.17</p> <p>REVISIONS-NR.: 1</p> <p>RESTRICTED TO: NUR FÜR</p>
---	--	---