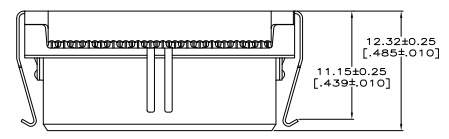
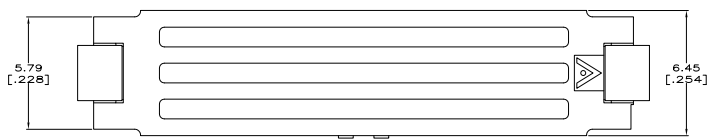
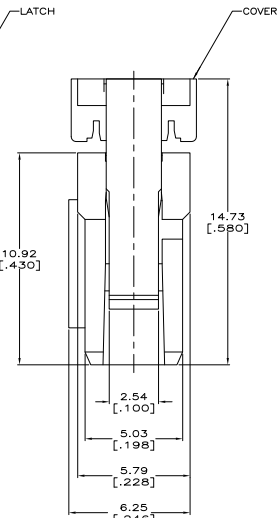
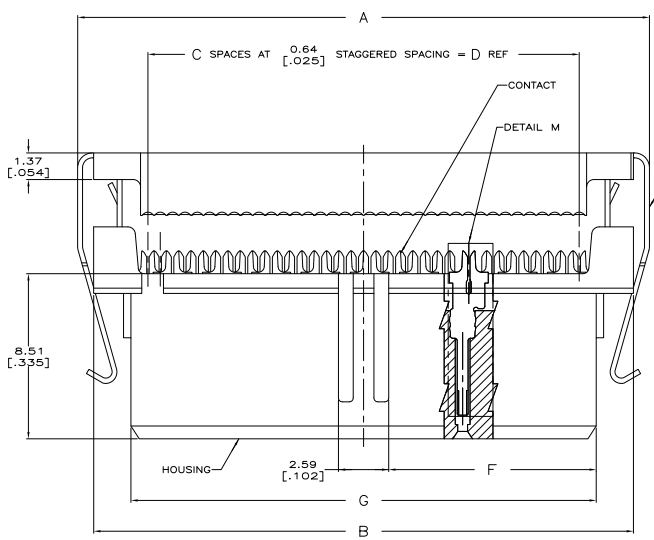


THIS DRAWING IS UNPUBLISHED
 ALL RIGHTS RESERVED

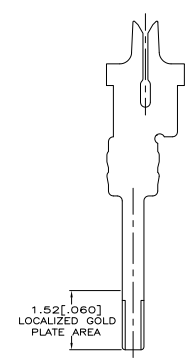
REV	DATE	DESCRIPTION	BY	APP
00				
M		REVISED PER ECO-11-002226		14APR2011 CJV/DWR



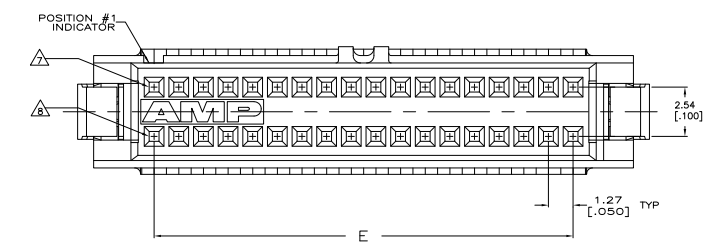
TERMINATED VIEW
 SCALE 5:1



BEFORE TERMINATION



DETAIL M
 SCALE 20:1
 TYPICAL



THIS DRAWING IS A CONTROLLED DOCUMENT.		REV	DATE	DESCRIPTION	BY	APP
00						
M				REVISED PER ECO-11-002226		14APR2011 CJV/DWR
00						
M				REVISED PER ECO-11-002226		14APR2011 CJV/DWR

DESIGNER	DATE	REVISED PER	DATE	DESCRIPTION	BY	APP
108-1109						
114-25029						
SEE SHEET 2						

DATE	SIZE	SCALE	DRAWING NO.	REVISED TO
10-11	1	2	111196	

THIS DRAWING IS UNPUBLISHED
 ALL RIGHTS RESERVED

REV	DATE	DESCRIPTION	BY	CHK	APP
00		SEE SHEET 1			

- △ HOUSING MATERIAL: UL RATED 94V-0 LCP THERMOPLASTIC, COLOR-BLACK.
- △ COVER MATERIAL: UL RATED 94V-0 POLYESTER OR POLYAMIDE MOLDING COMPOUND, COLOR-BLACK.
- △ CONTACT MATERIAL: COPPER ALLOY.
- △ LATCH MATERIAL: STAINLESS STEEL.
- △ CONTACT FINISH: 0.00076 [0.00030] MIN THICK GOLD PLATE ON LOCALIZED GOLD PLATE AREA, 0.00254-0.00508 [0.00100-0.00200] THICK BRIGHT TIN OR BRIGHT TIN-LEAD ON IDC END, ALL OVER 0.00127 [0.00050] MIN THICK NICKEL PLATE.
- 5. MATES WITH 0.38 [0.15] SQUARE OR ROUND POSTS, 3.18±0.10 [1.25±0.04] LONG, ON 1.27 [0.50] X 2.54 [1.00] GRID.
- △ CONTACT FINISH: 0.00076 [0.00030] MIN THICK GOLD PLATE ON LOCALIZED GOLD PLATE AREA, 0.00254-0.00508 [0.00100-0.00200] THICK TIN ON IDC END, ALL OVER 0.00127 [0.00050] MIN THICK NICKEL PLATE.
- △ POSITION 1: ALL ODD NUMBERED POSITIONS IN THIS ROW.
- △ POSITION 2: ALL EVEN NUMBERED POSITIONS IN THIS ROW.

△	44.30	20.85	41.91	42.54	67	48.13	49.78	68	3-111196-4
△	[1.744]	[.821]	[1.650]	[1.675]		[1.895]	[1.960]		
△	51.92	24.66	49.53	50.16	79	55.75	57.40	80	3-111196-3
△	[2.044]	[.971]	[1.950]	[1.975]		[2.195]	[2.260]		
△	41.76	19.58	39.37	40.00	63	45.59	47.24	64	3-111196-2
△	[1.644]	[.771]	[1.550]	[1.575]		[1.795]	[1.860]		
△	29.06	13.23	26.67	27.30	43	32.89	34.54	44	3-111196-1
△	[1.144]	[.521]	[1.050]	[1.075]		[1.295]	[1.360]		
△	22.71	10.06	20.32	20.96	33	26.54	28.19	34	3-111196-0
△	[.894]	[.396]	[.800]	[.825]		[1.045]	[1.110]		
△	17.63	7.52	15.24	15.88	25	21.46	23.11	26	2-111196-9
△	[.694]	[.296]	[.600]	[.625]		[.845]	[.910]		
△	16.36	6.88	13.97	14.60	23	20.19	21.84	24	2-111196-8
△	[.644]	[.271]	[.550]	[.575]		[.795]	[.860]		
△	11.28	4.34	8.89	9.52	15	15.11	16.76	16	2-111196-7
△	[.444]	[.171]	[.350]	[.375]		[.595]	[.660]		
△	10.01	3.71	7.62	8.26	13	13.84	15.49	14	2-111196-6
△	[.394]	[.146]	[.300]	[.325]		[.545]	[.610]		
△	7.47	2.44	5.08	5.72	9	11.30	12.95	10	2-111196-5
△	[.294]	[.096]	[.200]	[.225]		[.445]	[.510]		
△	64.62	31.01	62.23	62.86	99	68.45	70.10	100	2-111196-4
△	[2.544]	[1.221]	[2.450]	[2.475]		[2.695]	[2.760]		
△	46.84	22.12	44.45	45.08	71	50.67	52.32	72	2-111196-3
△	[1.844]	[.871]	[1.750]	[1.775]		[1.995]	[2.060]		
△	39.22	18.31	36.83	37.46	59	43.05	44.70	60	2-111196-2
△	[1.544]	[.721]	[1.450]	[1.475]		[1.695]	[1.760]		
△	32.87	15.14	30.48	31.12	49	36.70	38.35	50	2-111196-1
△	[1.294]	[.596]	[1.200]	[1.225]		[1.445]	[1.510]		
△	26.52	11.96	24.13	24.76	39	30.35	32.00	40	2-111196-0
△	[1.044]	[.471]	[.950]	[.975]		[1.195]	[1.260]		
△	20.17	8.79	17.78	18.42	29	24.00	25.65	30	1-111196-9
△	[.794]	[.346]	[.700]	[.725]		[.945]	[1.010]		
△	13.82	5.61	11.43	12.06	19	17.65	19.30	20	1-111196-8
△	[.544]	[.221]	[.450]	[.475]		[.695]	[.760]		
OBSOLETE	44.30	20.85	41.91	42.54	67	48.13	49.78	68	1-111196-7
△	[1.744]	[.821]	[1.650]	[1.675]		[1.895]	[1.960]		
△	64.62	31.01	62.23	62.86	99	68.45	70.10	100	1-111196-6
△	[2.544]	[1.221]	[2.450]	[2.475]		[2.695]	[2.760]		
△	51.92	24.66	49.53	50.16	79	55.75	57.40	80	1-111196-5
△	[2.044]	[.971]	[1.950]	[1.975]		[2.195]	[2.260]		
OBSOLETE	46.84	22.12	44.45	45.08	71	50.67	52.32	72	1-111196-4
△	[1.844]	[.871]	[1.750]	[1.775]		[1.995]	[2.060]		
△	41.76	19.58	39.37	40.00	63	45.59	47.24	64	1-111196-3
△	[1.644]	[.771]	[1.550]	[1.575]		[1.795]	[1.860]		
△	39.22	18.31	36.83	37.46	59	43.05	44.70	60	1-111196-2
△	[1.544]	[.721]	[1.450]	[1.475]		[1.695]	[1.760]		
△	32.87	15.14	30.48	31.12	49	36.70	38.35	50	1-111196-1
△	[1.294]	[.596]	[1.200]	[1.225]		[1.445]	[1.510]		
△	29.06	13.23	26.67	27.30	43	32.89	34.54	44	1-111196-0
△	[1.144]	[.521]	[1.050]	[1.075]		[1.295]	[1.360]		
△	22.71	10.06	20.32	20.96	33	26.54	28.19	34	111196-8
△	[.894]	[.396]	[.800]	[.825]		[1.045]	[1.110]		
△	17.63	7.52	15.24	15.88	25	21.46	23.11	26	111196-6
△	[.694]	[.296]	[.600]	[.625]		[.845]	[.910]		
△	16.36	6.88	13.97	14.60	23	20.19	21.84	24	111196-5
△	[.644]	[.271]	[.550]	[.575]		[.795]	[.860]		
△	13.82	5.61	11.43	12.06	19	17.65	19.30	20	111196-4
△	[.544]	[.221]	[.450]	[.475]		[.695]	[.760]		
OBSOLETE	11.28	4.34	8.89	9.52	15	15.11	16.76	16	111196-3
△	[.444]	[.171]	[.350]	[.375]		[.595]	[.660]		
OBSOLETE	10.01	3.71	7.62	8.26	13	13.84	15.49	14	111196-2
△	[.394]	[.146]	[.300]	[.325]		[.545]	[.610]		
OBSOLETE	7.47	2.44	5.08	5.72	9	11.30	12.95	10	111196-1
△	[.294]	[.096]	[.200]	[.225]		[.445]	[.510]		
△					9				
CONTACT PATCH	G	F	E	D	C	B	A	POSN	

THIS DRAWING IS A CONTROLLED DOCUMENT. SEE THE SCHEMATIC/REVISIONS SHEET FOR CHANGES.

TE Connectivity

AMP-LATCH SYSTEM 50, RECEPTACLE ASSEMBLY, 0.64(0.025), IDC

PROJECT FILE: 108-1109

DATE: 11-25-2029

REV: 10:1

CUSTOMER DRAWING