

4

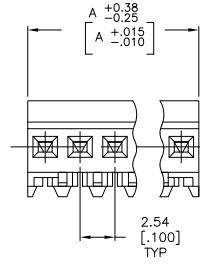
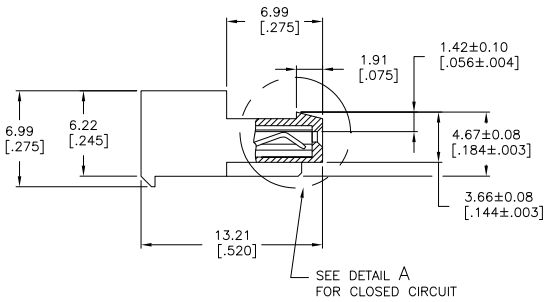
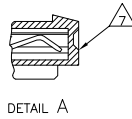
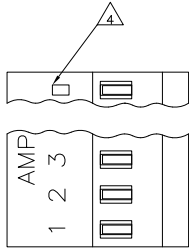
3

2

1

THIS DRAWING IS UNPUBLISHED. RELEASED FOR PUBLICATION. ALL RIGHTS RESERVED.

LOC	DIST	REVISIONS			
F	LNK	DESCRIPTION	DATE	BY	APPD
CM	00				
	K1	REVISED PER ECO-11-014117	12JUL11	HMR	SM



- 1 MATERIAL: CONNECTOR - NYLON UL94V-2 (WHITE).
CONTACTS - 0.30[.012] THICK COPPER ALLOY
MATTE WHISKER MITIGATED TIN
0.00203[.000080] MIN THICKNESS
OVER NICKEL UNDERPLATE OR BRIGHT
TIN-LEAD 93/7 0.00203[.000080] MIN
THICKNESS. SEE FINISH COLUMN FOR
PLATING TYPE.
- 2. CONTACTS ACCEPT 24 AWG WIRE WITH 1.52[.060] MAX
INSULATION DIAMETER.
- 3. CONTACTS MUST ACCEPT 0.64±.03[.025±.001] SQUARE
POST AND REMAIN LOCKED IN POSITION.
- 4 IDENTIFICATION NUMBER FOR LAST CIRCUIT MAY
NOT APPEAR ON ALL ASSEMBLIES.
- 5. DIMENSIONS IN BRACKETS ARE IN INCHES.
- 6. HOUSING FEATURES ARE: CLOSED END WITH LOCKING
RAMP.
- 7 DETAIL A SHOWS CIRCUIT NO.6 MOLDED CLOSED.

FINISH	DIM A	NO OF CIRCUITS	PART NO
TIN	22.86 [.900]	9	3-644031-9
TIN-LEAD	22.86 [.900]	9	644031-9

OBSOLETE



THIS DRAWING IS A CONTROLLED DOCUMENT.

DRW: S. LEWIS	22 APR 91	TE Connectivity MTA-100 CONNECTOR ASSEMBLY, 24 AWG, NO.6 CIRCUIT CLOSED, SPECIAL	RESTRICTED TO -			
CHK: R. SWING	22 APR 91					
APP: G. MILLER	22 APR 91					
PRODUCT SPEC: 108-1050						
APPLICATION SPEC: 114-1019		SIZE: A2	CAGE CODE: 00779	DRAWING NO: C-644031		
WEIGHT: -		CUSTOMER DRAWING		SCALE: 5:1	SHEET: 1 of 1	REV: K1

644031

A

D

C

B

A

1

D

C

B

A

K1