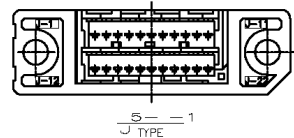
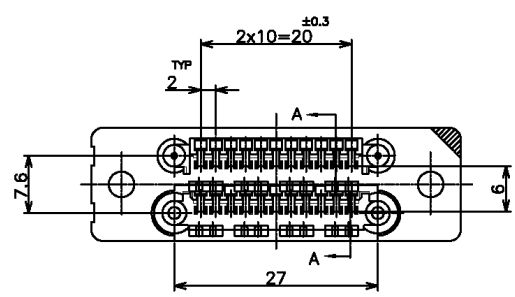
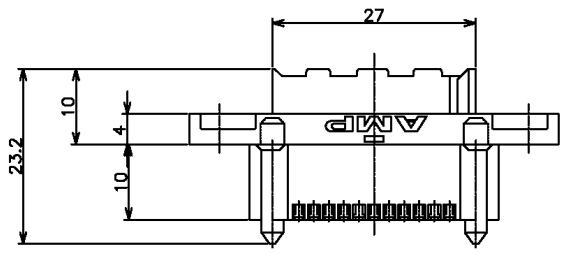
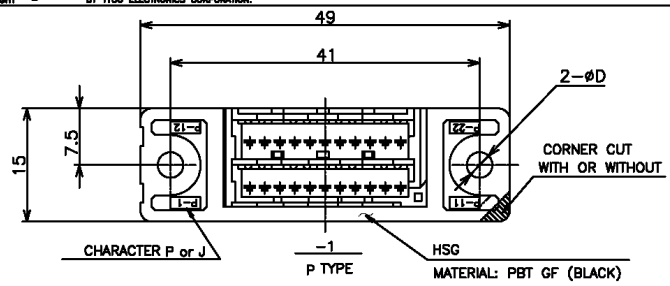


THIS DRAWING IS UNPUBLISHED. RELEASED FOR PUBLICATION  
 © COPYRIGHT BY TYCO ELECTRONICS CORPORATION. ALL RIGHTS RESERVED.

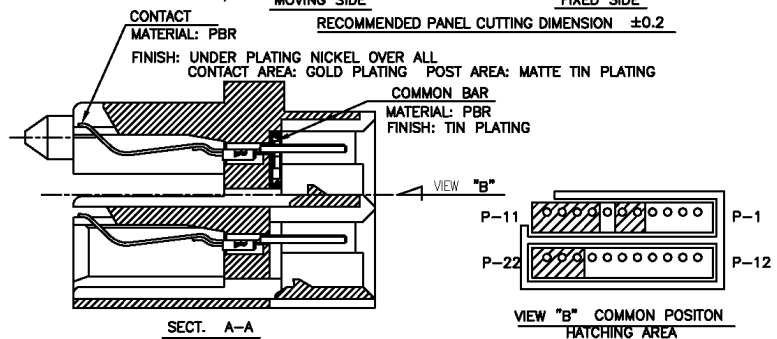
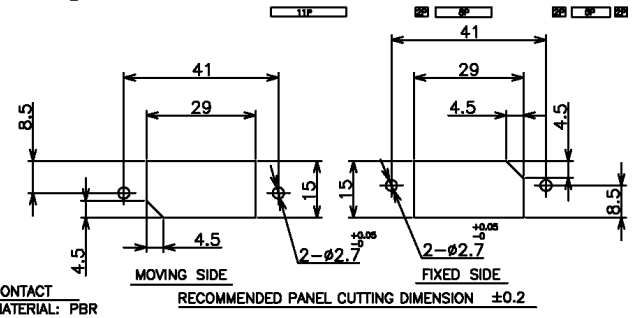
LOG	DIST	REVISIONS			
P	LTR	DESCRIPTION	DATE	DM	APD
ES	00	A REVISED FB00-0217-04	16DEC04	H.H	I.E

- NOTES:  
 1 APPLIED USED TAPPING SCREW P/N: 176848-1  
 2 MATING CONN. OF POST SIDE: AMP CT CONN. HAS FOLLOWING PATTERN



TOLERANCE

10 > *	±0.2
30 > * > 10	±0.25
100 > * > 30	±0.3
ANGLE	±3°



—H—	CUT	4.4	J	5-292178-1
—H—	WITH	3.4	P	292178-2
—H—	—H—	3.4	P	292178-1
COMMON TAB	CORNER CUT	d	HSG TYPE	P/N

THIS DRAWING IS A CONTROLLED DOCUMENT.

DRAWN: J. JIANG	OSFERBOS	Tyco Electronics Corporation Shanghai, P.R.China, 200233
CHEK: S. YAO	OSFERBOS	
APPRO: T. SASAKI	OSFERBOS	22P MINI-DRAWER CONNECTOR
PRODUCT SPEC: 108-60021	APPLICATION SPEC:	
MATERIAL: SEE SHEET	FINISH: SEE SHEET	SIZE: A3
		CHG CODE: 00779
		DRAWING NO: C-292178
		RESTRICTED TO: —
		CUSTOMER DRAWING
		SCALE: NTS
		SHEET: 1 OF 1
		REV: A