

4

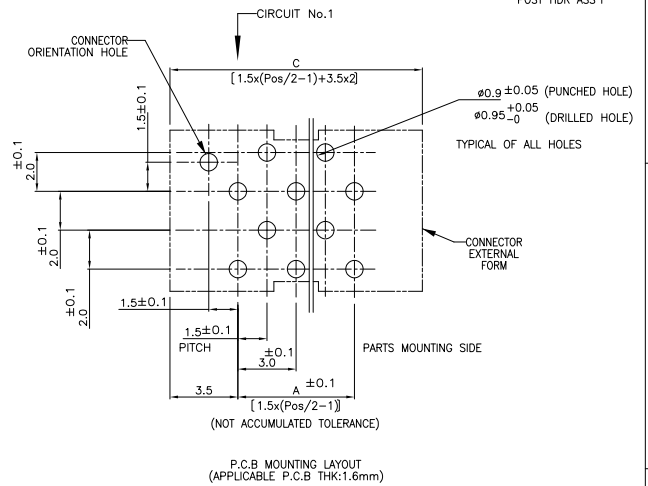
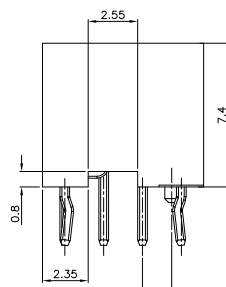
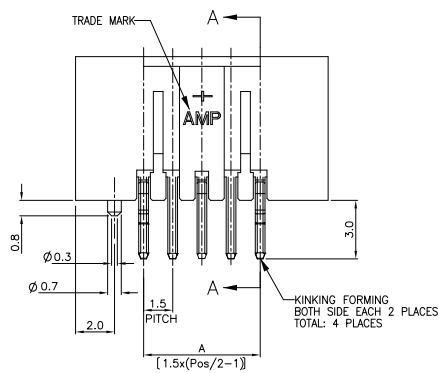
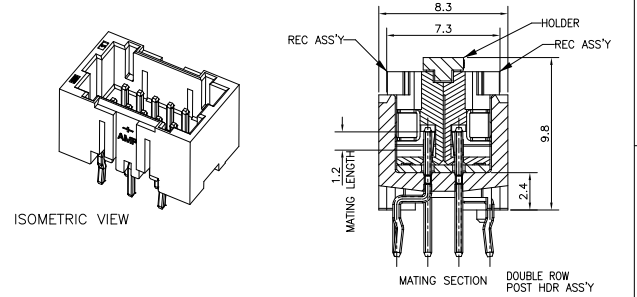
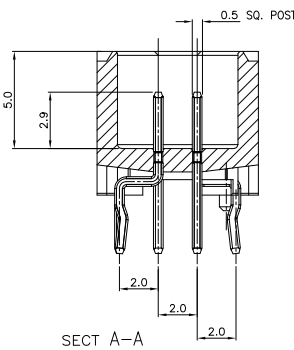
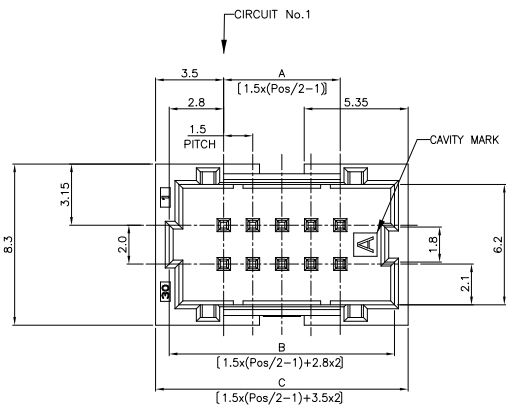
3

2

1

THIS DRAWING IS UNPUBLISHED. RELEASED FOR PUBLICATION - 04FEB03
 © COPYRIGHT - By - ALL RIGHTS RESERVED.

LOC	DIST	REVISIONS				
P	LTR	DESCRIPTION	DATE	DWN	APVD	
FB	00	REVISED PER ECO-11-005033	26MAR11	RK	HMR	



TOLERANCES UNLESS OTHERWISE SPECIFIED:

10 > *	±0.2
30 > * > 10	±0.25
100 > * > 30	±0.3
ANGLE	±3°

NOTES:
 1. MATERIAL:
 HOUSING: NYLON(G.F.) UL94V-0, COLOR: GRAY,BLUE
 POST: PRE-TIN 0.5mm SQ. BRASS WIRE

THIS DRAWING IS A CONTROLLED DOCUMENT.		DWN	S.YAO	31JAN03	TE TE Connectivity
DIMENSIONS: mm		CHK	S.YAO	31JAN03	
TOLERANCES UNLESS OTHERWISE SPECIFIED:		APVD	T. SASAKI	31JAN03	NAME
0 PLC ± -		PRODUCT SPEC		AMP Mini CT Connector 1.5mm Pitch	
1 PLC ± -		APPLICATION SPEC		Double Row Post HDR Ass'y (V)	
2 PLC ± -		WEIGHT		DIP Staggered Type with Boss with Kink	
3 PLC ± -		SEE TABLE		RESTRICTED TO	
4 PLC ± -		SIZE		A3	
FINISH		CAGE CODE		00779	
MATERIAL		DRAWING NO		C-292208	
SEE NOTE 1		CUSTOMER DRAWING		SCALE	
SEE NOTE 1		SHEET		1 of 2	
		REV		P	

LOC	DIST	REVISIONS					
FB	00	P	LTR	DESCRIPTION	DATE	DWN	APVD
		-		SEE SHEET 1	-	-	-


1.67	35.5	34.1	28.5	40	9-292208-0	4-292208-0
1.60	34.0	32.6	27.0	38	8-292208-8	3-292208-8
1.53	32.5	31.1	25.5	36	8-292208-6	3-292208-6
1.46	31.0	29.6	24.0	34	8-292208-4	3-292208-4
1.38	29.5	28.1	22.5	32	8-292208-2	3-292208-2
1.31	28.0	26.6	21.0	30	8-292208-0	3-292208-0
1.24	26.5	25.1	19.5	28	7-292208-8	2-292208-8
1.17	25.0	23.6	18.0	26	7-292208-6	2-292208-6
1.10	23.5	22.1	16.5	24	7-292208-4	2-292208-4
1.03	22.0	20.6	15.0	22	7-292208-2	2-292208-2
WEIGHT (g)	C	B	A	Pos.	BLUE	GRAY
	DIMENSIONS				PART NO	

RELEASED FOR PUBLICATION

ALL RIGHTS RESERVED.

THIS DRAWING IS UNPUBLISHED.

By -
COPYRIGHT -

DIMENSIONS: mm		DWN -	MATERIAL -	FINISH -
TOLERANCES UNLESS OTHERWISE SPECIFIED:		CHK -	 TE Connectivity	
0 PLC ± - 1 PLC ± SEE SHEET 2 PLC ± 1 OF 2 3 PLC ± - 4 PLC ± - ANGLES ± -		APVD -		
		PRODUCT SPEC -	NAME AMP Mini CT Connector 1.5mm Pitch	
		APPLICATION SPEC -	Double Row Post HDR Ass'y (V) DIP Staggered Type with Boss with Kink	
		WEIGHT -	SIZE A4	CAGE CODE 00779
			DRAWING NO C-292208	RESTRICTED TO -
CUSTOMER DRAWING			SCALE NON	SHEET 2 OF 2
			REV P	