

4

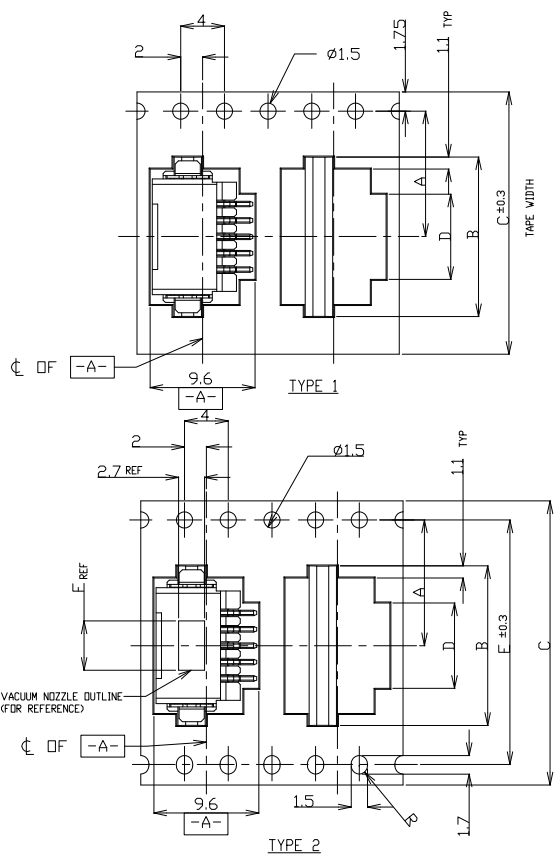
3

2

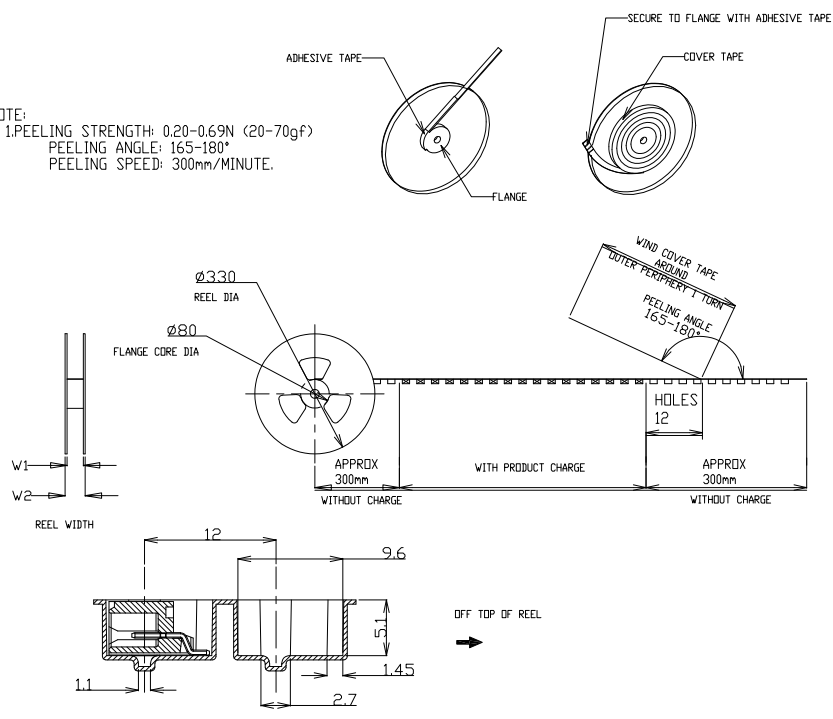
1

THIS DRAWING IS UNPUBLISHED. RELEASED FOR PUBLICATION
 © COPYRIGHT - By - ALL RIGHTS RESERVED.

LOC	DIST	REVISIONS			
P	LTR	DESCRIPTION	DATE	DWN	APVD
ES	00				
C3		REVISED PER ECO-11-005033	24MAR11	RK	HMR



NOTE:
 1. PEELING STRENGTH: 0.20-0.69N (20-70gf)
 2. PEELING ANGLE: 165-180°
 3. PEELING SPEED: 300mm/MINUTE.



TOLERANCES UNLESS OTHERWISE SPECIFIED:

10 >	±0.2
30 > * > 10	±0.25
100 > * > 30	±0.3
ANGLE	±3°

THIS DRAWING IS A CONTROLLED DOCUMENT.		DWN	S.XU	31JAN03	 TE Connectivity	AMP Mini CT Connector 1.5mm PITCH SINGLE ROW POST HDR ASS'Y (H) SMT TYPE WITHOUT BOSS, EMBOSS TAPE PACKAGED	RESTRICTED TO									
DIMENSIONS: mm		CHK	S.YAO	31JAN03												
TOLERANCES UNLESS OTHERWISE SPECIFIED:		APVD	T.SASAKI	31JAN03												
<table border="1"> <tr> <td>0 PLC</td> <td>±</td> </tr> <tr> <td>1 PLC</td> <td>±</td> </tr> <tr> <td>2 PLC</td> <td>±</td> </tr> <tr> <td>3 PLC</td> <td>±</td> </tr> <tr> <td>4 PLC</td> <td>±</td> </tr> <tr> <td>ANGLES</td> <td>±</td> </tr> </table>		0 PLC	±	1 PLC				±	2 PLC	±	3 PLC	±	4 PLC	±	ANGLES	±
0 PLC	±															
1 PLC	±															
2 PLC	±															
3 PLC	±															
4 PLC	±															
ANGLES	±															
MATERIAL		PRODUCT SPEC	APPLICATION SPEC		SIZE	A3	CAGE CODE	00779	DRAWING NO	C-292228						
		WEIGHT	114-5223		SCALE	NTS		SHEET	1 OF 4							
		CUSTOMER DRAWING					REV	C3								

4

3

2

1


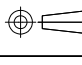
THIS DRAWING IS UNPUBLISHED. RELEASED FOR PUBLICATION
 © COPYRIGHT - By - ALL RIGHTS RESERVED.

LOC	DIST	REVISIONS				
P	LTR	DESCRIPTION	DATE	DWN	APVD	
ES	00	SEE SHEET 1	-	-	-	

TYPE	W2	W1	F	E	D	C	B	A	QTY/REEL	POS	COLOR	DN TAPE P/N
TYPE 2	61.5	57.5	6.2	52.4	30.5	56	37.1	±0.15	700	20	BLACK	7-292228-0
	61.5	57.5	6.2	52.4	29.0	56	35.6	26.2	700	19		6-292228-9
	49.5	45.5	6.2	40.4	27.5	44	34.1	700	18	6-292228-8		
	49.5	45.5	6.2	40.4	26.0	44	32.6	700	17	6-292228-7		
	49.5	45.5	6.2	40.4	24.5	44	31.1	700	16	6-292228-6		
	49.5	45.5	6.2	40.4	23.0	44	29.6	700	15	6-292228-5		
	49.5	45.5	6.2	40.4	21.5	44	28.1	700	14	6-292228-4		
	49.5	45.5	6.2	40.4	20.0	44	26.6	700	13	6-292228-3		
	49.5	45.5	6.2	40.4	18.5	44	25.1	700	12	6-292228-2		
	49.5	45.5	6.2	40.4	17.0	44	23.6	700	11	6-292228-1		
	37.5	33.5	6.2	28.4	15.5	32	22.1	14.2	700	10		6-292228-0
	37.5	33.5	6.2	28.4	14.0	32	20.6	14.2	700	9		5-292228-9
	37.5	33.5	6.2	28.4	12.5	32	19.1	14.2	700	8		5-292228-8
	37.5	33.5	6.2	28.4	11.0	32	17.6	14.2	700	7		5-292228-7
TYPE 1	29.5	25.5	6.2	-	9.5	24	16.1	11.5	700	6	5-292228-6	
	29.5	25.5	6.2	-	8.0	24	14.6	11.5	700	5	5-292228-5	
	29.5	25.5	6.2	-	6.5	24	13.1	11.5	700	4	5-292228-4	
	29.5	25.5	4.7	-	5.0	24	11.6	11.5	700	3	5-292228-3	
	29.5	25.5	2.8	-	3.5	24	10.1	11.5	700	2	5-292228-2	

OBSOLETE												
TYPE	W2	W1	F	E	D	C	B	A	QTY/REEL	POS	COLOR	DN TAPE P/N
TYPE 2	61.5	57.5	6.2	52.4	30.5	56	37.1	±0.15	700	20	BLACK	2-292228-0
	61.5	57.5	6.2	52.4	29.0	56	35.6	26.2	700	19		1-292228-9
	49.5	45.5	6.2	40.4	27.5	44	34.1	700	18	1-292228-8		
	49.5	45.5	6.2	40.4	26.0	44	32.6	700	17	1-292228-7		
	49.5	45.5	6.2	40.4	24.5	44	31.1	700	16	1-292228-6		
	49.5	45.5	6.2	40.4	23.0	44	29.6	700	15	1-292228-5		
	49.5	45.5	6.2	40.4	21.5	44	28.1	700	14	1-292228-4		
	49.5	45.5	6.2	40.4	20.0	44	26.6	700	13	1-292228-3		
	49.5	45.5	6.2	40.4	18.5	44	25.1	700	12	1-292228-2		
	49.5	45.5	6.2	40.4	17.0	44	23.6	700	11	1-292228-1		
	37.5	33.5	6.2	28.4	15.5	32	22.1	14.2	700	10		1-292228-0
	37.5	33.5	6.2	28.4	14.0	32	20.6	14.2	700	9		292228-9
	37.5	33.5	6.2	28.4	12.5	32	19.1	14.2	700	8		292228-8
	37.5	33.5	6.2	28.4	11.0	32	17.6	14.2	700	7		292228-7
TYPE 1	29.5	25.5	6.2	-	9.5	24	16.1	11.5	700	6	292228-6	
	29.5	25.5	6.2	-	8.0	24	14.6	11.5	700	5	292228-5	
	29.5	25.5	6.2	-	6.5	24	13.1	11.5	700	4	292228-4	
	29.5	25.5	4.7	-	5.0	24	11.6	11.5	700	3	292228-3	
	29.5	25.5	2.8	-	3.5	24	10.1	11.5	700	2	292228-2	

THIS DRAWING IS A CONTROLLED DOCUMENT.

DWN	S.XU	31JAN03	 TE Connectivity
CHK	S.YAO	31JAN03	
APVD	T.SASAKI	31JAN03	
DIMENSIONS: mm 			NAME AMP Mini CT Connector 1.5mm PITCH SINGLE ROW POST HDR ASS'Y (H)
TOLERANCES UNLESS OTHERWISE SPECIFIED: 0. PLC ± - 1. PLC ± - 2. PLC ± - 3. PLC ± - 4. BCC ± - ANGLES ± - MATERIAL FINISH			PRODUCT SPEC 108-60018 APPLICATION SPEC 114-5223
WEIGHT CUSTOMER DRAWING			SMT TYPE WITHOUT BOSS, EMBOSS TAPE PACKAGED SIZE CAGE CODE DRAWING NO A3 00779 C-292228
SCALE NTS SHEET 2 OF 4 REV C3			RESTRICTED TO

4

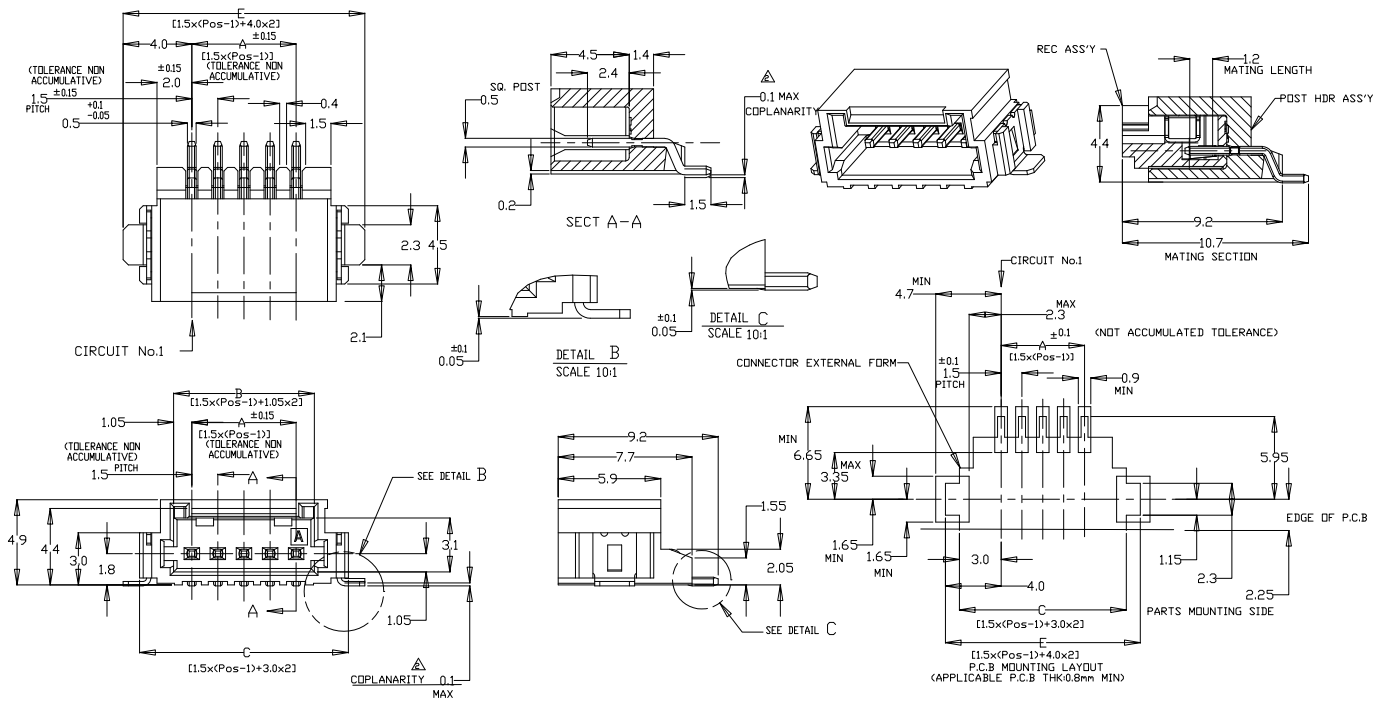
3

2

1

THIS DRAWING IS UNPUBLISHED. RELEASED FOR PUBLICATION
 © COPYRIGHT - By - ALL RIGHTS RESERVED.

LOC	DIST	REVISIONS			
P	LTR	DESCRIPTION	DATE	DWN	APVD
ES	00	SEE SHEET 1	-	-	-



NOTES:
 1. MATERIAL:
 HOUSING: 6T NYLON/HIGH HEAT-RESISTED NYLON/GF.30%
 UL94V-0, COLOR: BEIGE OR BLACK
 POST: TIN BRASS WIRE
 TO BE MEASURED WITH CONNECTOR PLACED ON HORIZONTAL DATUM SURFACE,
 FL/DAT OF SOLDER TINE AND SOLDER PEG 0.1mm MAX.

THIS DRAWING IS A CONTROLLED DOCUMENT.		DWN	S.XU	31JAN03	
		CHK	S.YAO	31JAN03	
		APVD	T.SASAKI	31JAN03	
		NAME			
DIMENSIONS:		PRODUCT SPEC		AMP Mini CT Connector 1.5mm PITCH	
mm		APPLICATION SPEC		SINGLE ROW POST HDR ASS'Y (H)	
		WEIGHT		SMT TYPE WITHOUT BOSS, EMBOSS TAPE PACKAGED	
0. PLC ± - 1. PLC ± - 2. PLC ± - 3. PLC ± - 4. PLC ± - ANGLES ± - FINISH ± -		108-60018		RESTRICTED TO	
MATERIAL		114-5223		SIZE CAGE CODE DRAWING NO	
		CUSTOMER DRAWING		A3 00779 C-292228	
		SCALE		NTS	
		SHEET		3 of 4	
		REV		C3	

4

3


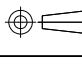
2

1

THIS DRAWING IS UNPUBLISHED. RELEASED FOR PUBLICATION
 © COPYRIGHT - By - ALL RIGHTS RESERVED.

LOC	DIST	REVISIONS			
P	LTR	DESCRIPTION	DATE	DWN	APVD
-	-	SEE SHEET 1	-	-	-

1.078	36.5	34.5	30.6	28.5	20	7-292228-0	2-292228-0
1.033	35.0	33.0	29.1	27.0	19	6-292228-9	1-292228-9
0.988	33.5	31.5	27.6	25.5	18	6-292228-8	1-292228-8
0.942	32.0	30.0	26.1	24.0	17	6-292228-7	1-292228-7
0.896	30.5	28.5	24.6	22.5	16	6-292228-6	1-292228-6
0.850	29.0	27.0	23.1	21.0	15	6-292228-5	1-292228-5
0.804	27.5	25.5	21.6	19.5	14	6-292228-4	1-292228-4
0.759	26.0	24.0	20.1	18.0	13	6-292228-3	1-292228-3
0.713	24.5	22.5	18.6	16.5	12	6-292228-2	1-292228-2
0.667	23.0	21.0	17.1	15.0	11	6-292228-1	1-292228-1
0.621	21.5	19.5	15.6	13.5	10	6-292228-0	1-292228-0
0.576	20.0	18.0	14.1	12.0	9	5-292228-9	292228-9
0.530	18.5	16.5	12.6	10.5	8	5-292228-8	292228-8
0.484	17.0	15.0	11.1	9.0	7	5-292228-7	292228-7
0.438	15.5	13.5	9.6	7.5	6	5-292228-6	292228-6
0.392	14.0	12.0	8.1	6.0	5	5-292228-5	292228-5
0.347	12.5	10.5	6.6	4.5	4	5-292228-4	292228-4
0.301	11.0	9.0	5.1	3.0	3	5-292228-3	292228-3
0.255	9.5	7.5	3.6	1.5	2	5-292228-2	292228-2
WEIGHT (g)	E	C	B	A	Pos.	BLACK	BEIGE (NAT)
	DIMENSIONS						P/N

THIS DRAWING IS A CONTROLLED DOCUMENT.		DWN S.XU 31JAN03	 STE TE Connectivity		
DIMENSIONS: mm		CHK S.YAO 31JAN03			
		APVD T.SASAKI 31JAN03	NAME AMP Mini CT Connector 1.5mm PITCH SINGLE ROW POST HDR ASS'Y (H)		
TOLERANCES UNLESS OTHERWISE SPECIFIED: 0 PLC ± - 1 PLC ± - 2 PLC ± - 3 PLC ± - 4 PLC ± - ANGLES ± - FINISH		PRODUCT SPEC 108-60018	SMT TYPE WITHOUT BOSS, EMBOSS TAPE PACKAGED		
MATERIAL		APPLICATION SPEC 114-5223	SIZE A3	CAGE CODE 00779	DRAWING NO C-292228
		WEIGHT	RESTRICTED TO		
		CUSTOMER DRAWING	SCALE NTS	SHEET 4 of 4	REV C3