

4

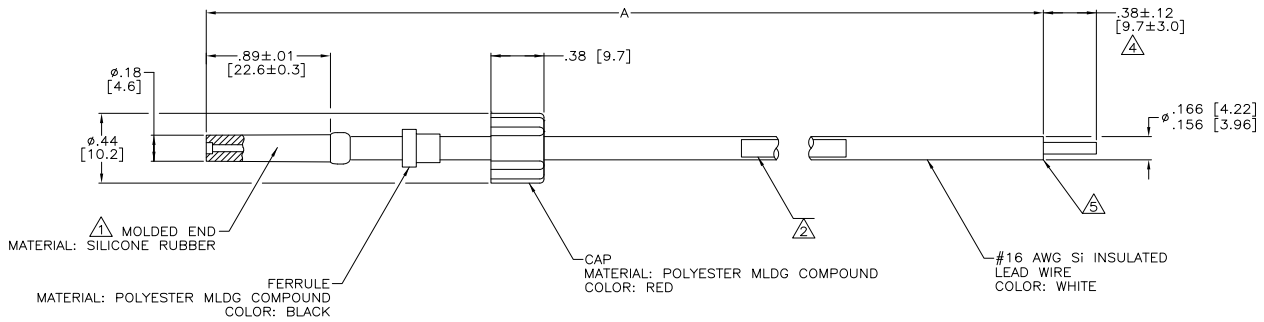
3

2

1

THIS DRAWING IS UNPUBLISHED. RELEASED FOR PUBLICATION - N/A
 © COPYRIGHT N/A BY TYCO ELECTRONICS CORPORATION. ALL RIGHTS RESERVED.

| LOC | DIST | REVISIONS | | | | | |
|-----|------|-----------|-----|-----------------------|-------|-----|-------|
| DF | SO | P | LTR | DESCRIPTION | DATE | MIN | APPRO |
| | | H | | REV PER ECO-05-002828 | 08-05 | AA | DE |



- ① TO MATE WITH AMP LGH 1/2L RECEPTACLE WITH .89 [22.6] BARREL DEPTH
- ② MARK PER MIL-STD-130.
- 3. OPERATING VOLTAGE: 15 KVDC AT 0 TO 70,000 FEET, -55°C TO 125°C.
- ④ PIGTAILS ARE SOLDER DIPPED.
- ⑤ INSULATION CUT, BUT NOT REMOVED.

| | | | | |
|----------|-----------|-------------|-------------|------------|
| ① | 14.63±.12 | [371.6±3.0] | 6-863534-4 | |
| ② | 36.00±.24 | [914.4±6.1] | 5-863534-9 | |
| ③ | 10.00±.12 | [254.0±3.0] | 5-863534-3 | |
| ④ | 16.63±.12 | [422.4±3.0] | 1-863534-6 | |
| OBSOLETE | ④ | 5.63±.12 | [143.0±3.0] | 1-863534-5 |
| ④ | 14.63±.12 | [371.6±3.0] | 1-863534-4 | |
| OBSOLETE | ④ | 14.50±.12 | [368.3±3.0] | 1-863534-3 |
| OBSOLETE | ④ | 9.00±.12 | [228.6±3.0] | 1-863534-2 |
| ④ | 20.00±.12 | [508.0±3.0] | 1-863534-1 | |
| OBSOLETE | ④ | 19.00±.12 | [482.6±3.0] | 1-863534-0 |
| ④ | 36.00±.24 | [914.4±6.1] | 863534-9 | |
| OBSOLETE | ④ | 24.00±.24 | [609.6±6.1] | 863534-8 |
| ④ | 21.00±.12 | [533.4±3.0] | 863534-7 | |
| ④ | 18.00±.12 | [457.2±3.0] | 863534-6 | |
| ④ | 15.00±.12 | [381.0±3.0] | 863534-5 | |
| OBSOLETE | ④ | 12.00±.12 | [304.8±3.0] | 863534-4 |
| ④ | 10.00±.12 | [254.0±3.0] | 863534-3 | |
| OBSOLETE | ④ | 8.00±.12 | [203.2±3.0] | 863534-2 |
| OBSOLETE | ④ | 6.00±.12 | [152.4±3.0] | 863534-1 |

REMARKS A PART NO

| | | | | |
|--|--|------------------|---|-----------------|
| THIS DRAWING IS A CONTROLLED DOCUMENT. | | DATE: 29-SEP-89 | Tyco Electronics Corporation Harrisburg, Pa 17105-3608 | |
| DRAWN: T. SHUEY | | DATE: 09-OCT-89 | C. CHEKOVIN | |
| CHECKED: C. CHEKOVIN | | DATE: 09-OCT-89 | D. EARY | |
| APPROVED: [Signature] | | DATE: 09-OCT-89 | PRODUCT SPEC | |
| DIMENSIONS: INCHES (mm) | | APPLICATION SPEC | SIZE: A2 | CHG CODE: 00779 |
| 0 PLC ± .01 | | WEIGHT | SCALE: 2:1 | SHEET: 1 OF 1 |
| 1 PLC ± .02 | | FINISH | CUSTOMER DRAWING | REV: H |
| 2 PLC ± .03 | | | | |
| 3 PLC ± .04 | | | | |
| 4 PLC ± .05 | | | | |
| 5 PLC ± .06 | | | | |
| 6 PLC ± .07 | | | | |
| 7 PLC ± .08 | | | | |
| 8 PLC ± .09 | | | | |
| 9 PLC ± .10 | | | | |
| ANGLES ± .5° | | | | |
| MATERIAL | | | | |
| FINISH | | | | |

863534

A