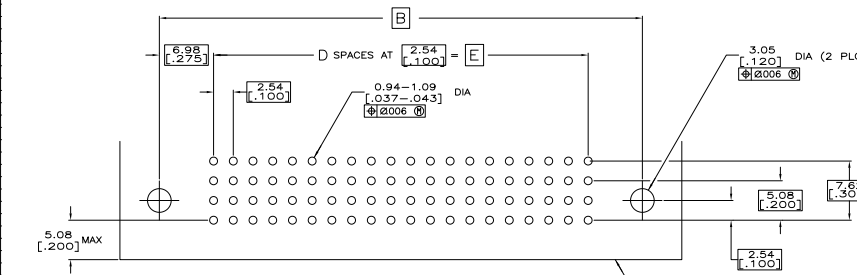
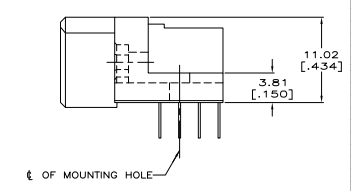
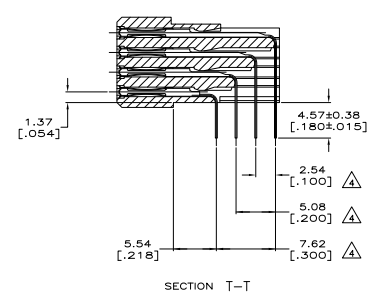
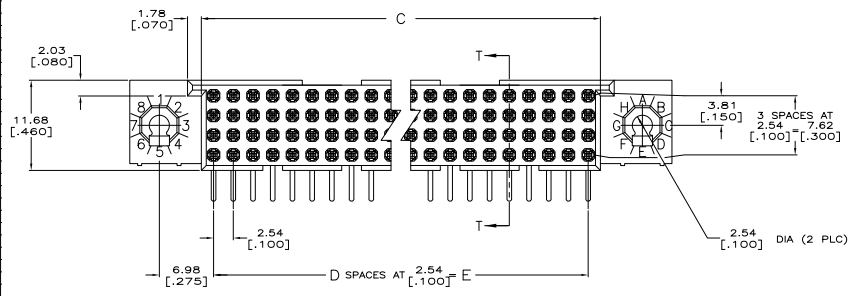
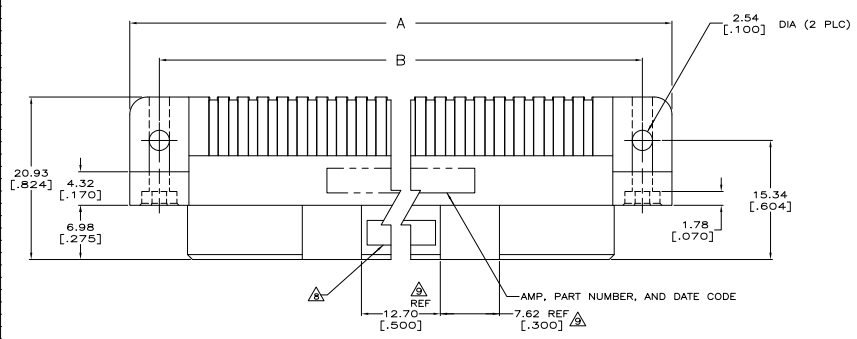


THIS DRAWING IS UNPUBLISHED
 ALL RIGHTS RESERVED

REV	DATE	DESCRIPTION	BY	CHK
00				
R1		REVISED PER EDD-11-004835	11MMR11	RK HMR



RECOMMENDED P.C. BOARD LAYOUT P.C. BOARD

THIS DRAWING IS A CONTROLLED DOCUMENT.		REVISED PER EDD-11-004835	DATE	BY	CHK
UNLESS OTHERWISE SPECIFIED:		ALL DIMENSIONS IN INCHES	UNLESS OTHERWISE SPECIFIED	UNLESS OTHERWISE SPECIFIED	UNLESS OTHERWISE SPECIFIED
FINISH	PLATING	REF. DIM.	REF. DIM.	REF. DIM.	REF. DIM.
ASSEMBLY	WELDING	REF. DIM.	REF. DIM.	REF. DIM.	REF. DIM.
TESTING	INSULATION	REF. DIM.	REF. DIM.	REF. DIM.	REF. DIM.
OTHER	OTHER	REF. DIM.	REF. DIM.	REF. DIM.	REF. DIM.
CUSTOMER DRAWING		DATE	SIZE	SCALE	REV
A1		000779	0.532434	4:1	1 2 R1

THIS DRAWING IS UNPUBLISHED
 UNLESS INDICATED OTHERWISE
 ALL RIGHTS RESERVED

REV	DATE	DESCRIPTION	BY	CHK
00		SEE SHEET 1		

- △ HOUSING MATERIAL: THERMOPLASTIC, COLOR: NATURAL.
- △ CONTACT MATERIAL: COPPER ALLOY.
- △ CONTACT FINISH: .00127-.00254 [.000050-.000100] NICKEL UNDERPLATE ALL OVER, .000076 [.000030] GOLD PLATE IN CONTACT AREA, TIN-LEAD PLATED SOLDER TAILS.
- △ SOLDER TAILS MUST FIT HOLE PATTERN AS SHOWN ON THE RECOMMENDED P.C. BOARD LAYOUT.
- 5. DIMENSIONS IN BRACKETS ARE IN INCHES.
- △ HOUSINGS WITH CENTER MOUNTING IS RECOMMENDED FOR ASSEMBLIES HAVING 75 CONTACTS OR MORE PER ROW.
- △ OBSOLETE PART NUMBER.
- △ DATE CODE MAY BE LOCATED IN THIS APPROXIMATE AREA FOR THIS PART NUMBER.
- △ QUANTITIES OF VOID CORING ARE DEPENDENT ON THE POSITION SIZE OF THE HOUSING.

△△						2-532434-5	
△	48.26 [1.900]	19	51.41 [2.024]	62.23 [2.450]	69.85 [2.750]	80	2-532434-4
△△	35.56 [1.400]	14	38.71 [1.524]	49.53 [1.950]	57.15 [2.250]	60	2-532434-3
△	160.02 [6.300]	63	163.17 [6.424]	173.99 [6.850]	181.61 [7.150]	256	2-532434-2
△△	22.86 [.900]	9	26.01 [1.024]	36.83 [1.450]	44.45 [1.750]	40	2-532434-1
△	144.78 [5.700]	57	147.93 [5.824]	158.75 [6.250]	166.37 [6.550]	232	2-532434-0
△							1-532434-9
△							1-532434-8
△	238.76 [9.400]	94	241.91 [9.524]	252.73 [9.950]	260.35 [10.250]	380	1-532434-7
△	226.06 [8.900]	89	229.21 [9.024]	240.03 [9.450]	247.65 [9.750]	360	1-532434-6
△	213.36 [8.400]	84	216.51 [8.524]	227.33 [8.950]	234.95 [9.250]	340	1-532434-5
△△	200.66 [7.900]	79	203.81 [8.024]	214.63 [8.450]	222.25 [8.750]	320	1-532434-4
△							1-532434-3
	187.95 [7.400]	74	191.11 [7.524]	201.93 [7.950]	209.55 [8.250]	300	1-532434-2
	175.26 [6.900]	69	178.41 [7.024]	189.23 [7.450]	196.85 [7.750]	280	1-532434-1
△	162.56 [6.400]	64	165.71 [6.524]	176.53 [6.950]	184.15 [7.250]	260	1-532434-0
	149.86 [5.900]	59	153.01 [6.024]	163.83 [6.450]	171.45 [6.750]	240	532434-9
	137.16 [5.400]	54	140.31 [5.524]	151.13 [5.950]	158.75 [6.250]	220	532434-8
	124.46 [4.900]	49	127.61 [5.024]	138.43 [5.450]	146.05 [5.750]	200	532434-7
	111.76 [4.400]	44	114.91 [4.524]	125.73 [4.950]	133.35 [5.250]	180	532434-6
	99.06 [3.900]	39	102.21 [4.024]	113.03 [4.450]	120.65 [4.750]	160	532434-5
	86.36 [3.400]	34	89.51 [3.524]	100.33 [3.950]	107.95 [4.250]	140	532434-4
	73.74 [3.100]	31	81.89 [3.224]	92.71 [3.650]	100.33 [3.950]	128	532434-3
△	73.66 [2.900]	29	76.81 [3.024]	87.63 [3.450]	95.25 [3.750]	120	532434-2
	60.96 [2.400]	24	64.11 [2.524]	74.93 [2.950]	82.55 [3.250]	100	532434-1

THIS DRAWING IS A CONTROLLED DOCUMENT.		TE CONNECTIVITY	
UNLESS OTHERWISE SPECIFIED:		TE Connectivity	
DIMENSIONS (IN INCHES)	TERMINALS/LEADS	DATE	H01, 4 ROW, RECEPTACLE ASSEMBLY, 4.57 [180] LONG SOLDER TAILS, .00076 [000030] GOLD PLATE
APPROVED	PREPARED	DATE	
CUSTOMER DRAWING		DATE	REV