

4

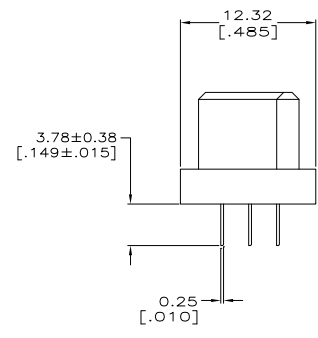
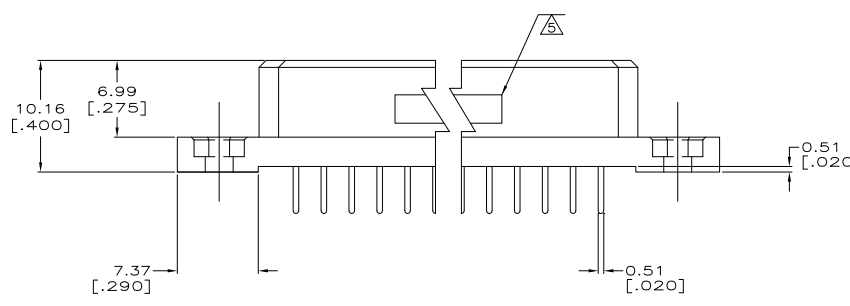
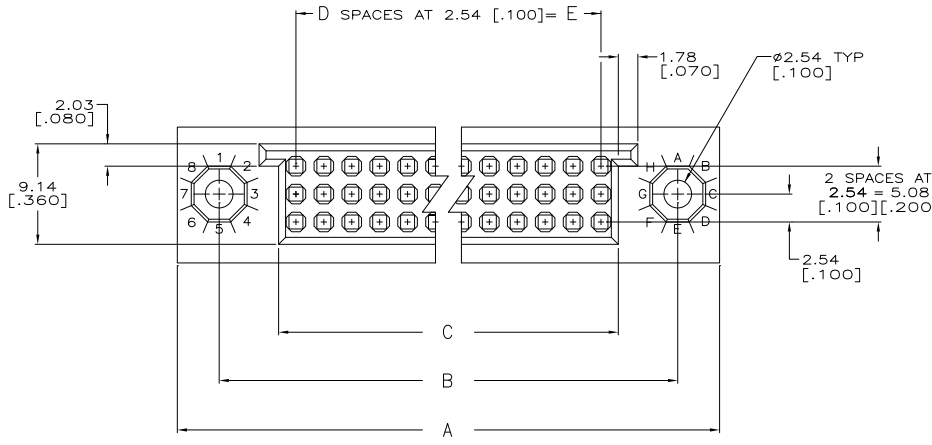
3

2

1

THIS DRAWING IS UNPUBLISHED. RELEASED FOR PUBLICATION - N/A
 © COPYRIGHT N/A BY TYCO ELECTRONICS CORPORATION. ALL RIGHTS RESERVED.

LOC	DIST	REVISIONS			
P	LTR	DESCRIPTION	DATE	BY	APPD
AD	25				
	K	REV PER ECO-10-002919	24MAR10	PY	DM



THIS DRAWING IS A CONTROLLED DOCUMENT.		DR: R. SEIFRIED 10-OCT-84	Tyco Electronics Corporation	
DIMENSIONS: mm (INCHES)		OK: D. RUBENDALL 10-OCT-84	Harrisburg, Pa 17105-3608	
TOLERANCES UNLESS OTHERWISE SPECIFIED:		APPD: D. RUBENDALL 10-OCT-84	NAME: BOX II ASSEMBLY	
0 PLG	± .-	APPLICATION SPEC:	SIZE: 3.78 [.149]	RESTRICTED TO:
1 PLG	± .-	WEIGHT:	CAGE CODE (DRAWING TO):	
2 PLG	± .-	FINISH:	A2 00779 C-533287	
3 PLG	± 0.13 (.005)			
4 PLG	± .-			
ANGLES	± .-			
MATERIAL: $\triangle 1$ - $\triangle 2$		CUSTOMER DRAWING		SCALE: 4:1 SHEET: 1 OF 2 REV: K

AMP 1471-9 REV 31MMR2000

533287

