

4

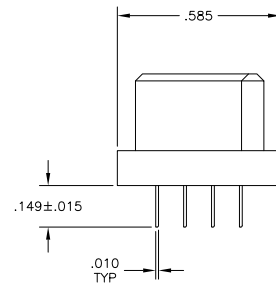
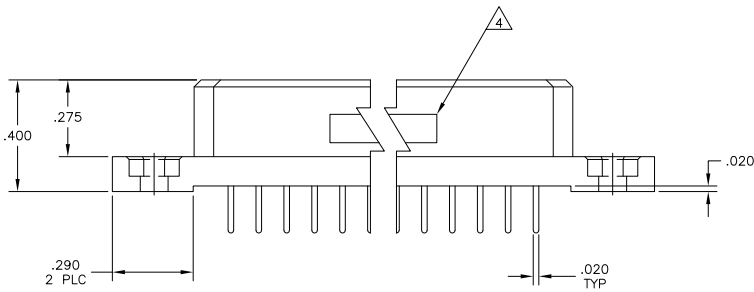
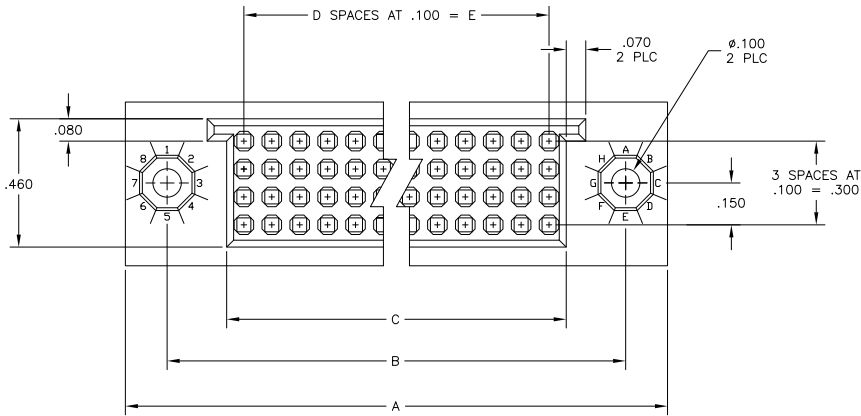
3

2

1

THIS DRAWING IS UNPUBLISHED. RELEASED FOR PUBLICATION - N/A.
 © COPYRIGHT N/A. By - ALL RIGHTS RESERVED.

LOC	DIST	REVISIONS		
P	LR	DESCRIPTION	DATE	BY
S1		REVISED PER ECO-11-005030	11MAR11	RK HMR



THIS DRAWING IS A CONTROLLED DOCUMENT.		DR: R. SEIFRIED 29-OCT-84	TE Connectivity
		CHK: L. CASTAGNA 29-OCT-84	
DIMENSIONS: INCHES		APPD: L. CASTAGNA 29-OCT-84	NAME: RECEPTACLE ASSEMBLY
DIMENSIONS: INCHES 0 PLC ± .005 1 PLC ± .005 2 PLC ± .005 3 PLC ± .005 4 PLC ± .005 ANGLES ± .005 FINISH		PRODUCT SPEC: W/.149 SOLDER TAILS	RESTRICTED TO: -
MATERIAL: 1-2		WEIGHT: -	SIZE: A2
FINISH: 3		CUSTOMER DRAWING	CAGE CODE: 00779 DRAWING NO: C-533285 SCALE: 4:1 SHEET: 1 of 2 REV: S1

1471-9 (3/11)

533285

B

A

4

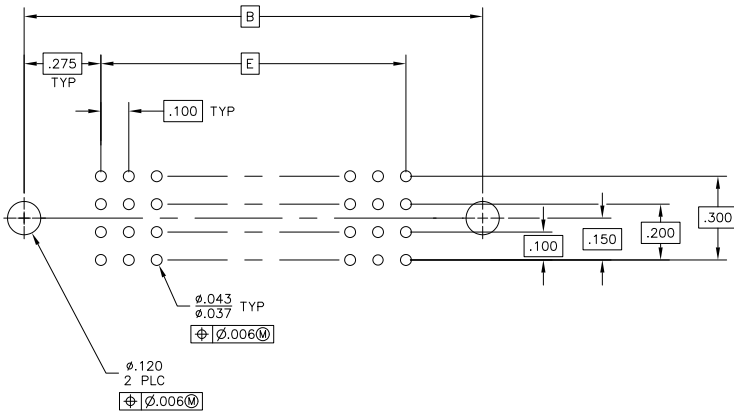
3

2

1

THIS DRAWING IS UNPUBLISHED. RELEASED FOR PUBLICATION - N/A.
 © COPYRIGHT N/A. BY - ALL RIGHTS RESERVED.

- 1 HOUSING MATERIAL: POLYPHENYLENE SULFIDE.
COLOR: NATURAL (BROWN).
- 2 CONTACT MATERIAL: BERYLLIUM COPPER.
- 3 CONTACT FINISH: NICKEL UNDERPLATE .000050--.000100 THK ALL OVER
GOLD .000030 THK IN CONTACT AREA.
TIN-LEAD PLATED SOLDER TAILS.
- 4 TE, PART NO. & DATE CODE MARKED IN THIS APPROXIMATE AREA.
- 5 CONTACT FINISH: NICKEL UNDERPLATE .000050--.000100 THK ALL OVER
GOLD .000030 THK IN CONTACT AREA.
TIN PLATED SOLDER TAILS.



RECOMMENDED PC BOARD LAYOUT

LOC		DIBT		REVISIONS			
		P	LTR	DESCRIPTION	DATE	BY	APPD
				SEE SHEET 1			

7.400	74	7.524	7.950	8.250	300	6-533285-2
6.400	64	6.524	6.950	7.250	260	6-533285-0
5.900	59	6.024	6.450	6.750	240	5-533285-9
4.900	49	5.024	5.450	5.750	200	5-533285-7
4.400	44	4.524	4.950	5.250	180	5-533285-6
3.900	39	4.024	4.450	4.750	160	5-533285-5
3.400	34	3.524	3.950	4.250	140	5-533285-4
3.100	31	3.224	3.650	3.950	128	5-533285-3
2.900	29	3.024	3.450	3.750	120	5-533285-2
2.400	24	2.524	2.950	3.250	100	5-533285-1
5.700	57	5.824	6.250	6.550	232	3-533285-5

OBSOLETE

OBSOLETE	.900	9	1.024	1.450	1.750	40	1-533285-5
OBSOLETE	4.700	47	4.824	5.250	5.550	192	1-533285-4
OBSOLETE	1.600	16	1.724	2.150	2.450	68	1-533285-3
7.400	74	7.524	7.950	8.250	300	1-533285-2	
6.900	69	7.024	7.450	7.750	280	1-533285-1	
6.400	64	6.524	6.950	7.250	260	1-533285-0	
5.900	59	6.024	6.450	6.750	240	533285-9	
5.400	54	5.524	5.950	6.250	220	533285-8	
4.900	49	5.024	5.450	5.750	200	533285-7	
4.400	44	4.524	4.950	5.250	180	533285-6	
3.900	39	4.024	4.450	4.750	160	533285-5	
3.400	34	3.524	3.950	4.250	140	533285-4	
3.100	31	3.224	3.650	3.950	128	533285-3	
2.900	29	3.024	3.450	3.750	120	533285-2	
2.400	24	2.524	2.950	3.250	100	533285-1	

THIS DRAWING IS A CONTROLLED DOCUMENT. **TE** TE Connectivity

DIMENSIONS: INCHES 0 PLC ± .010 1 PLC ± .008 2 PLC ± .005 3 PLC ± .003 4 PLC ± .002 ANGLES ± .5° FINISH	THIS DRAWING IS A CONTROLLED DOCUMENT. DIM: R. SEIFRIED 29-OCT-84 CHK: L. CASTAGNA 29-OCT-84 APPD: L. CASTAGNA 29-OCT-84 PRODUCT SPEC: --- APPLICATION SPEC: --- WEIGHT: --- CUSTOMER DRAWING	NAME: --- RECEPTACLE ASSEMBLY BOX II, 4-ROW W/.149 SOLDER TAILS SIZE: A2 CASE CODE: 00779 DRAWING NO: C=533285 SCALE: 4:1 SHEET: 2 of 2 REV: S1
---	--	--