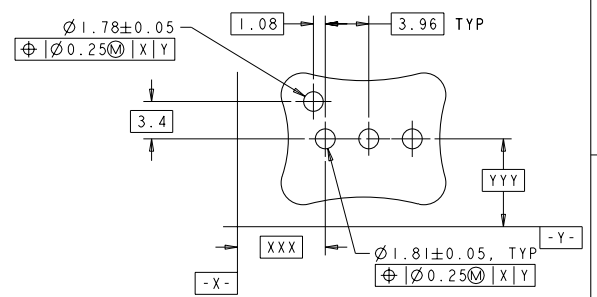
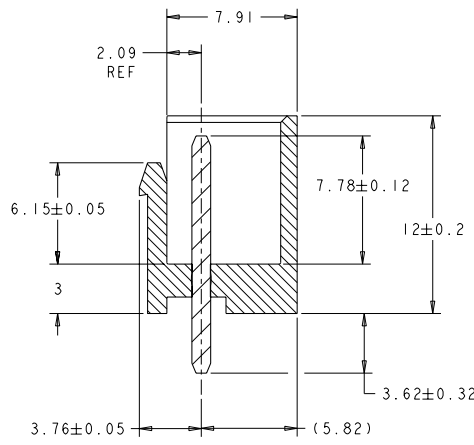
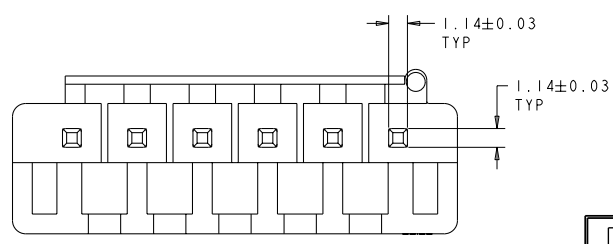
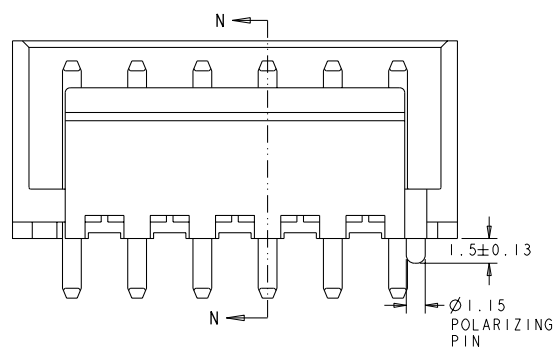
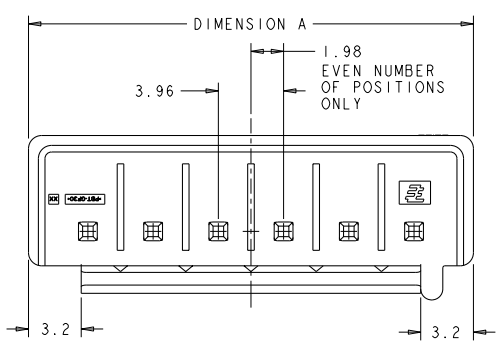


REV	DATE	BY	CHKD	APPROV
CI	19JAN12	JR	SM	

△ MATERIAL: HOUSING; PBT GLASS FILLED UL94V-0 CONTACT; BRASS  
 △ FINISH: CONTACT, 1.0µm MIN TIN OVER 0.8µm MIN NICKEL.



COLOR	DIM A	CKT	ASSEMBLY PART NO.
BLACK	50.77	12	3-1877285-2
BLACK	46.81	11	3-1877285-1
BLACK	42.85	10	3-1877285-0
BLACK	38.89	9	2-1877285-9
BLACK	34.93	8	2-1877285-8
BLACK	30.97	7	2-1877285-7
BLACK	27.01	6	2-1877285-6
BLACK	23.05	5	2-1877285-5
BLACK	19.09	4	2-1877285-4
BLACK	15.13	3	2-1877285-3
BLACK	11.17	2	2-1877285-2
WHITE	50.77	12	1-1877285-2
WHITE	46.81	11	1-1877285-1
WHITE	42.85	10	1-1877285-0
WHITE	38.89	9	1877285-9
WHITE	34.93	8	1877285-8
WHITE	30.97	7	1877285-7
WHITE	27.01	6	1877285-6
WHITE	23.05	5	1877285-5
WHITE	19.09	4	1877285-4
WHITE	15.13	3	1877285-3
WHITE	11.17	2	1877285-2



THIS DRAWING IS A CONTROLLED DOCUMENT. DWG NO. 030CT2005  
 W. G. LENKER  
 C. R. WALKER  
 S. RIDGILL  
 DATE 030CT2005  
 APPR. 03SEP2008

DIMENSIONS: mm  
 DIMENSIONS: INCHES (1:10)  
 DIMENSIONS: mm (1:10)  
 DIMENSIONS: INCHES (1:10)

PRODUCT SPEC: APPLICATION SPEC: WEIGHT: CUSTOMER DRAWING

NAME: SHROUDED HEADER ASSEMBLY, 2 THRU 12 POSITION, SINGLE LATCH, 3.96mm PITCH, ECONOMY POWER (EP)  
 CASE CODE: A200779  
 DRAWING NO: 1877285

SCALE: 6:1 SHEET 1 OF 1 REV: C1