

4

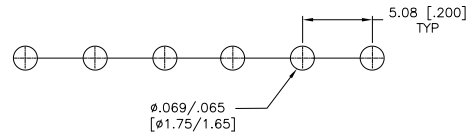
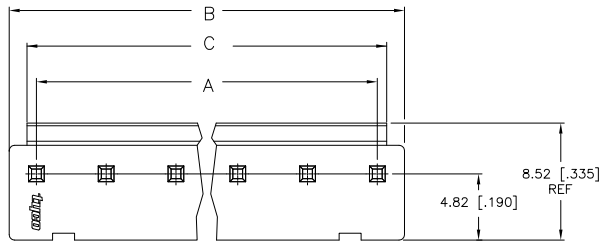
3

2

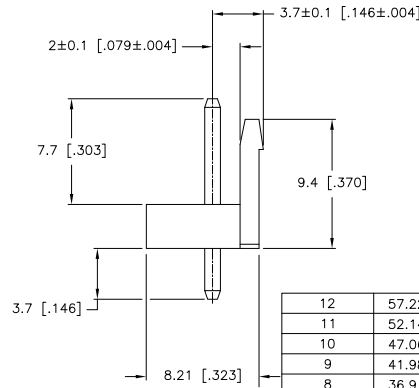
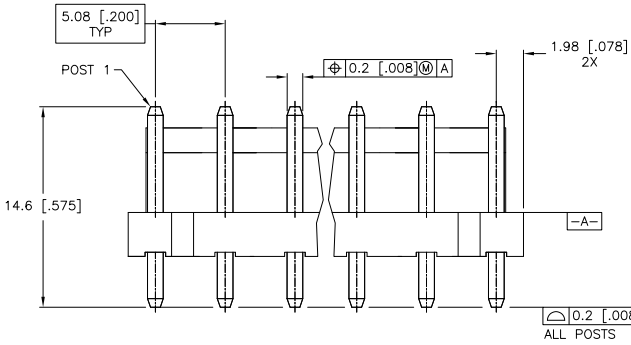
1

THIS DRAWING IS UNPUBLISHED. RELEASED FOR PUBLICATION
 BY TYCO ELECTRONICS CORPORATION. ALL RIGHTS RESERVED.

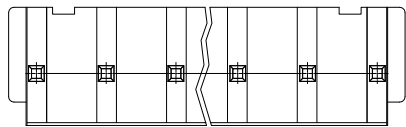
LOC	DIST	REVISIONS				
GP	00	F	LR	DATE	BY	APPD
		A		REVISED PER ECO-09-017647	29OCT2009	CR CR



RECOMMENDED PC BOARD LAYOUT



1. HOUSING MATERIAL: NYLON 66, UL94V-0, NATURAL.
2. CONTACT MATERIAL: COPPER ALLOY
3. CONTACT PLATING: 0.003[0.000120] MIN TIN OVER 0.001[0.000039] MIN NICKEL



12	57.22 [2.254]	59.84 [2.357]	55.88 [2.200]	1-1744037-2
11	52.14 [2.054]	54.76 [2.157]	50.8 [2.000]	1-1744037-1
10	47.06 [1.854]	49.68 [1.957]	45.72 [1.800]	1-1744037-0
9	41.98 [1.654]	44.6 [1.757]	40.64 [1.600]	1744037-9
8	36.9 [1.453]	39.52 [1.557]	35.56 [1.400]	1744037-8
7	31.82 [1.253]	34.44 [1.356]	30.48 [1.200]	1744037-7
6	26.74 [1.053]	29.36 [1.156]	25.4 [1.000]	1744037-6
5	21.66 [0.853]	24.28 [0.956]	20.32 [0.800]	1744037-5
4	16.58 [0.653]	19.2 [0.756]	15.24 [0.600]	1744037-4
3	11.5 [0.453]	14.12 [0.556]	10.16 [0.400]	1744037-3
2	6.42 [0.253]	9.04 [0.356]	5.08 [0.200]	1744037-2
NO OF POSITIONS	DIM C ±0.2 [0.008]	DIM B ±0.3 [0.012]	DIM A ±0.3 [0.012]	PART NUMBER

THIS DRAWING IS A CONTROLLED DOCUMENT. DIM S. HOOVER 01-APR-2004
 CHK J. ELLIS 01-APR-2004
 APPD J. ELLIS 01-APR-2004
 Tyco Electronics Corporation
 Greensboro, NC 27409

HEADERS ASSEMBLY-ECONOMY POWER
 VERTICAL, .200 CENTERLINE

SIZE CASE CODE DRAWING NO. RESTRICTED TO
 A2 00779 C=1744037 1

CUSTOMER DRAWING SCALE 5:1 SHEET 1 OF 1 REV A

