

4

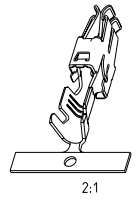
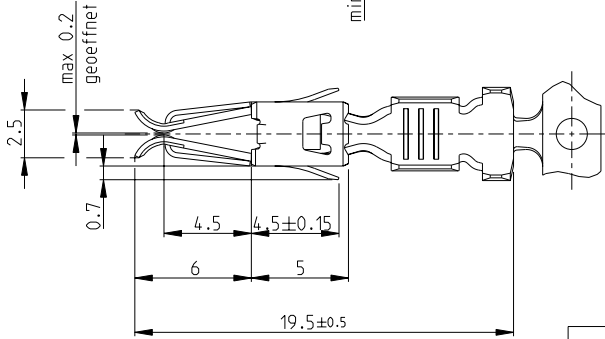
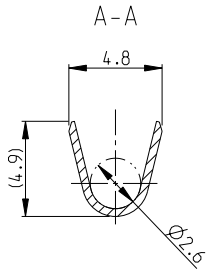
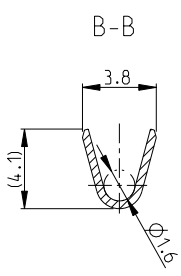
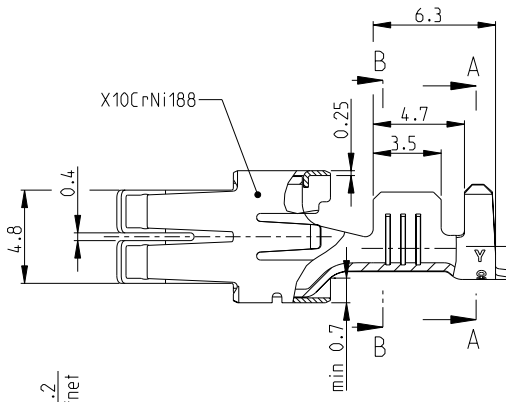
3

2

1

THIS DRAWING IS UNPUBLISHED. RELEASED FOR PUBLICATION
COPYRIGHT - ALL RIGHTS RESERVED.

LOC	DIST	REVISIONS				
P	LTR	DESCRIPTION	DATE	DWN	APVD	
C2		REVISED PER ECO-11-005150	31MAR2011	RK	HMR	



INSUL. RANGE Ø2.2-3.0 mm	WIRE RANGE >1-2.5 mm ²
--------------------------------	---

LP NO	FINISH	MATERIAL	PART NO.	REV
1241826-5	vorversilbert/PRESILVERED	CuFe2	964203-5	C
1241826-4	vorversilbert/PRESILVERED 1-1.5 µm	CuSn4	964203-4	C
1241826-3	vorversilbert/PRESILVERED 3-4.5 µm	CuSn4	964203-3	C
1241826-2	vorverzinkt/PRETTINED	CuSn4	964203-2	C
1241826-1	vorverzinkt/PRETTINED	CuFe2	964203-1	C

THIS DRAWING IS A CONTROLLED DOCUMENT.

DIMENSIONS: mm	TOLERANCES UNLESS OTHERWISE SPECIFIED: ±0.2	OWN ATZMANN 06.01.94	TE Connectivity	
	0-PLC ± 1-PLC ± 2-PLC ± 3-PLC ± PLC ANGLES ±°	CHK BARTOSCH 18.01.94	NAME STANDARD POWER TIMER KONTAKT (Gerade Tulpe)	
MATERIAL	FINISH	APVD Bleicher M. 28.11.07	PRODUCT SPEC 108-18025	
		APPLICATION SPEC 114-18037	SIZE A3	CAGE CODE 00779
		WEIGHT 0.82 g	DRAWING NO C-964203	RESTRICTED TO -
CUSTOMER DRAWING			SCALE 5:1	SHEET 1 OF 1 REV C2