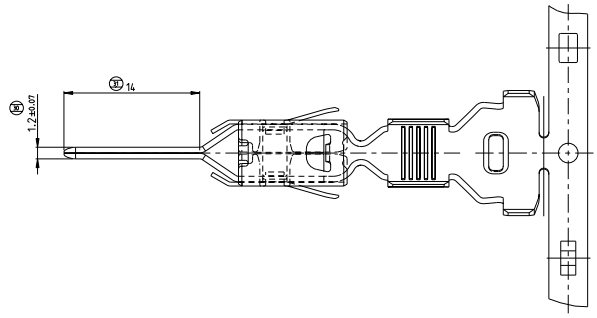
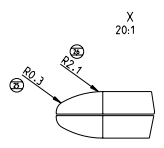
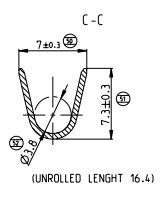
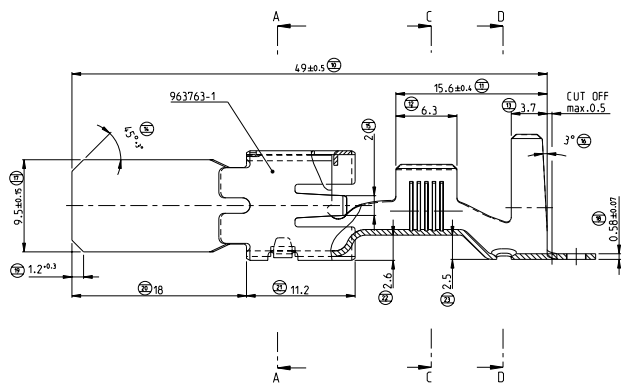
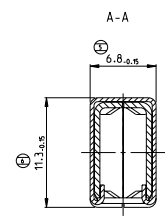
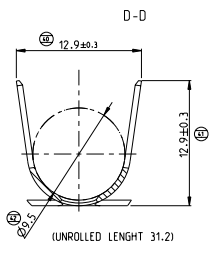
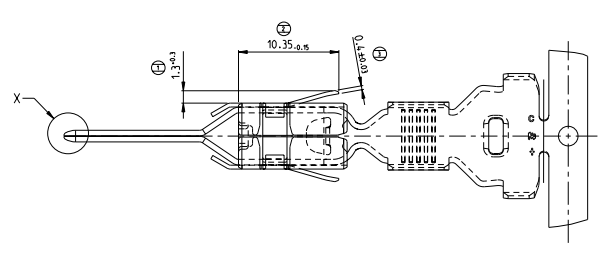


ONE WIRE	1.5	2.5	4.0	6.0	10.0
X					

NO COMBINATION: SINGLE WIRE



WIRE RANGE: 6-10mm²
INSULATION: Ø10mm SINGLE WIRE SEALING

ITEM NO.	963775-2	DESCRIPTION	TAB 9.5x1.2 mm SINGLE WIRE SEALING
REV.	A	DATE	00779
REV.	A	DATE	00779

963775-2	PRE-TINNED	CuFe2P	963774-2	C
963775-1	PRE-TINNED	CuSn	963774-1	C
LP	FINISH	TAB BODY MATERIAL	PART NO	REV

REV.	DATE	DESCRIPTION	BY	CHK	APP
A		NEW DRAWING	BRANDER	R.P.	V.H.
A1		TRANSLATION TO ENGLISH	BRANDER	MP	PS