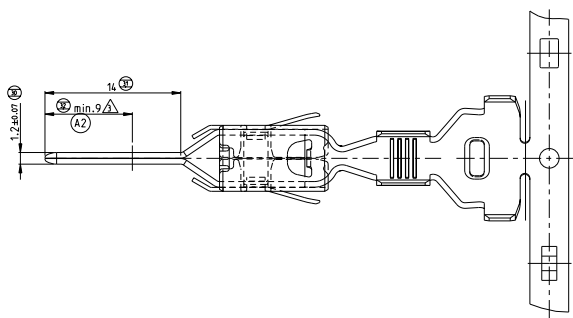
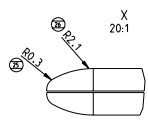
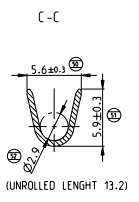
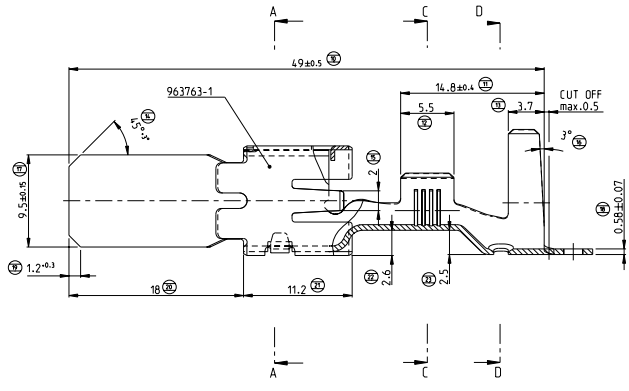
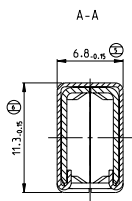
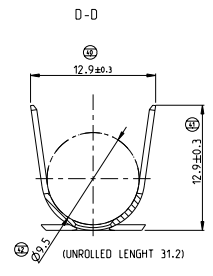
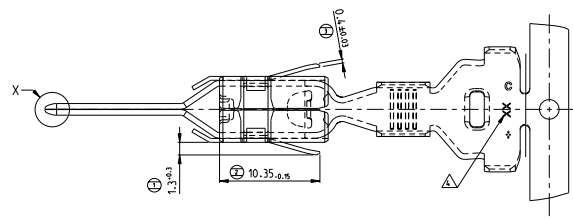


WIRE RANGE	TEMPERATURE	REVISIONS
0.5	200	1
0.75	200	2
1.0	200	3
1.5	200	4
2.5	200	5
4.0	200	6
6.0	200	7

NO COMBINATION: SINGLE WIRE



- NOTE:
- 1 WIRE RANGE: 4-6mm<sup>2</sup>
  - 2 INSULATION: Ø10mm SINGLE WIRE SEALING
- (A2) △ MIN.3µm Ag IN LOCALIZED AREA. FLASH Ag ON REMAINDER.
- (A2) △ TE CONNECTIVITY LOGO.

REV	DATE	DESCRIPTION	BY	CHK	APP
A1		DRAWING TRANSLATE TO ENGLISH			
A2		SEE ECR-11-01001			

THIS DRAWING IS A CONTROLLED DOCUMENT.		UNCONTROLLED		TE Connectivity	
REV	DATE	REV	DATE	REV	DATE
1	08/20/2000	1	08/20/2000	1	08/20/2000
DRAWING NO. 963772-1		PART NO. 963772-1		DESCRIPTION: TAB 9.5x1.2 mm SINGLE WIRE SEALING	
MATERIAL: SILVERED		FINISH: PRE-TINNED		SPECIFICATION: 963772-1	
WEIGHT: 0.32		LENGTH: 31.2		DIA: 10.0	
CUST. PART NO.		CUST. PART NO.		CUST. PART NO.	

LOOSE PIECE	FINISH	TAB BODY MATERIAL	PART NO	REV
963773-2	PRE-TINNED	CuSn	963772-3	C
963773-1	PRE-TINNED	CuFe2P	963772-2	C
		CuSn	963772-1	C