

4

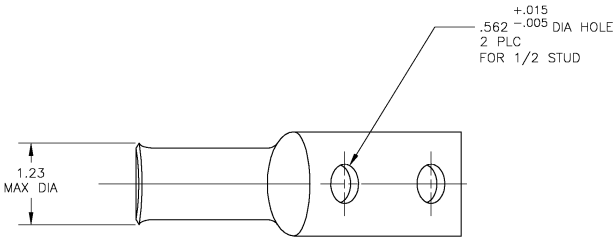
3

2

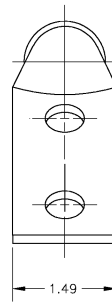
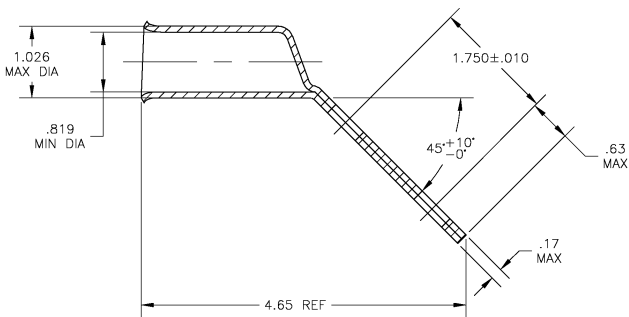
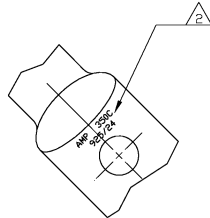
1

THIS DRAWING IS UNPUBLISHED. RELEASED FOR PUBLICATION. BY TYCO ELECTRONICS CORPORATION. ALL RIGHTS RESERVED.

| LOC | QTY | REV | DESCRIPTION | DATE | BY | APP'D |
|-----|-----|-----|-------------|------|----|-------|
| G | 86 | 0 | PROPOSED | - | - | - |



- 1 CIRCULAR MIL RANGE: 325-375 MCM
- 2 STAMP AMP 350C 925/24 ,LOCATE APPROX AS SHOWN.
- 3 .000150 MIN THK TIN PER ASTM B545
- 4 COPPER PER ASTM B-75, ANNEALED



696684-1

PART NO

| | | | | |
|----------------------------------------|------------|------------------|-----------|---------------------------------------------------------------|
| THIS DRAWING IS A CONTROLLED DOCUMENT. | | DRW: J. J. J. | 28JAND4 | Tyco Electronics Corporation Harrisburg, Pa 17105-3608 |
| DIMENSIONS: INCHES | | CHK: M. SPICER | 28JAND4 | |
| TOLERANCES UNLESS OTHERWISE SPECIFIED: | | APP'D: M. SPICER | 28JAND4 | NAME |
| 0 PLC | \pm | PRODUCT SPEC | 108-30200 | TERMINAL, AMPPOWER |
| 1 PLC | \pm | APPLICATION SPEC | | BENT 45. WIRE SIZE 350 MCM |
| 2 PLC | \pm | HEIGHT | | |
| 3 PLC | \pm .000 | SCALE | A2 | 00779 |
| 4 PLC | \pm .001 | DATE CODE | C-696684 | RESTRICTED TO |
| 5 PLC | \pm .002 | DRAWING NO | | |
| 6 PLC | \pm .005 | REV | | |
| ANGLES | \pm .1° | SCALE | 1:1 | SHEET 1 OF 1 |
| MATERIAL | - 4 | CUSTOMER DRAWING | | REV 0 |
| FINISH | - 3 | | | |