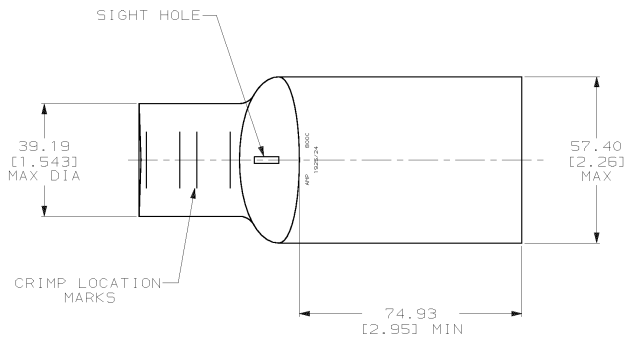
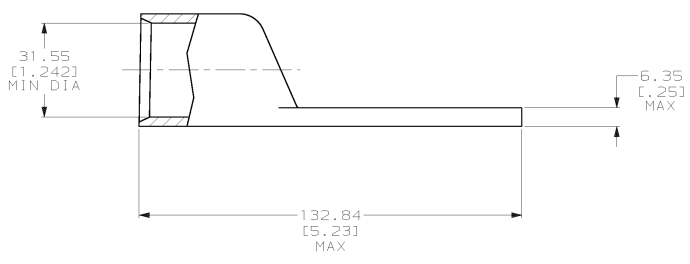


DRAWING MADE IN THIRD ANGLE PROJECTION
 THIS DRAWING IS UNPUBLISHED. RELEASED FOR PUBLICATION .19
 © COPYRIGHT 19 BY AMP INCORPORATED. ALL INTERNATIONAL RIGHTS RESERVED.

LOC	DIST	P	F	ZONE	LTR	REVISIONS	DATE	APPD
6	86				B	REV PER 063A-0561-01	090CT02	JR/MS



- 1 CIRCULAR MIL RANGE: 750-850 MCM
- CLEANED, UNPLATED
- PREPRODUCTION - FASR REQ



METRIC

DO NOT SCALE PRINT. UNLESS SPECIFIED DIMENSIONS IN mm (INCHES) TOLERANCES ON:		FINISH		PART NO	
2 PLC DEC ± 0.51(.020)		AMP		AMP INCORPORATED	
3 PLC DEC ±		AMP		Harrisburg, Pa. 17105	
ANGLES ± -		NAME		TERMINAL, AMPPOWER™	
MATERIAL		SIZE		CAGE CODE	
ANNEALED COPPER		C		00779	
ASTM B-75		DRAWING NO		696279	
FINISH		APPLICATION SPEC		WEIGHT	
SEE NOTES		-		.821 LB	
SCALE		1:1		SHEET	
				1 OF 1	