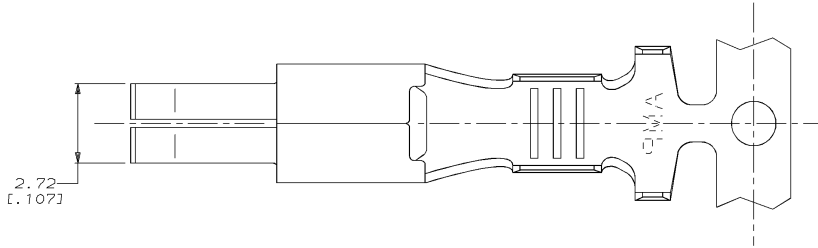
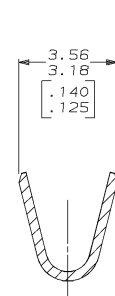
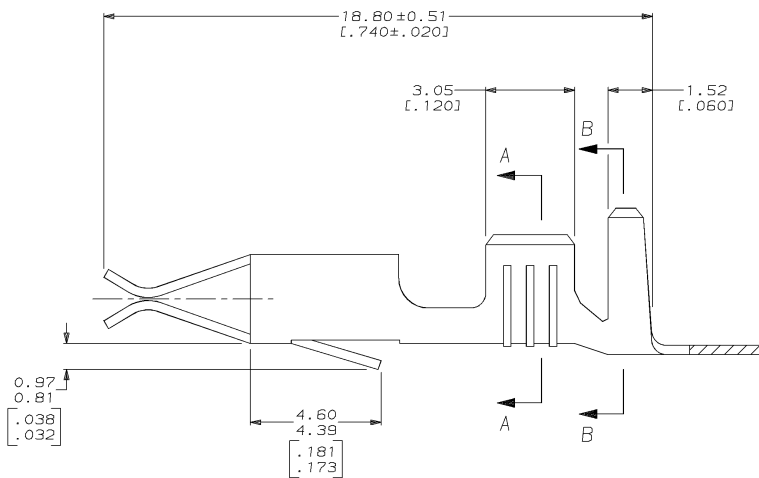


THIS DRAWING IS UNPUBLISHED. RELEASED FOR PUBLICATION .19
 © COPYRIGHT 19 BY AMP INCORPORATED. ALL INTERNATIONAL RIGHTS RESERVED.

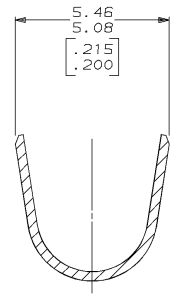
LOC		DIST		ZONE		LTR		REVISIONS		DATE	APPD
AF	50	P	F					G	REV PER 0710-0427-95	27/SEP/95	PF DS



1. THIS IS THE DOMESTIC VERSION OF THE GERMAN PART NO. 925595.
2. WIRE RANGE: 0.8 - 2 mm² [18 - 14 AWG].
3. INSULATION RANGE: 3.05 - 4.32 [.120 - .170] DIA.
4. DIMENSIONS IN BRACKETS ARE IN INCHES.



SECTION A-A



SECTION B-B

PRE-TIN	0.30 [.012] PH BRZ	643221-2
PRE-TIN	0.30 [.012] BRASS	643221-1
FINISH	MATERIAL	PART NO

DO NOT SCALE PRINT. UNLESS SPECIFIED DIMENSIONS IN mm [INCHES] TOLERANCES ON: 2 PLC DEC ±0.13 (.005) 3 PLC DEC ± ANGLES ±	DR 4-12-93 T. BECK	AMP AMP Incorporated Harrisburg, PA 17105-3608	
SEE TABLE	CHK 4-12-93 R. SWING		
MATERIAL	APPD 10-6-93 G. MARTIN	NAME RECEPTACLE, MINI-SPRING	
FINISH	APPD 10-6-93 G. MARTIN	SIZE C	CAGE CODE 00779
SEE TABLE	APPLICATION SPEC	DRAWING NO 643221	SCALE 10:1
	WEIGHT		SHEET 1 OF 1

METRIC

THIS DRAWING IS A CONTROLLED DOCUMENT FOR AMP INCORPORATED. IT IS SUBJECT TO CHANGE AND THE CONTROLLING ENGINEERING ORGANIZATION SHOULD BE CONTACTED FOR THE LATEST REVISION.