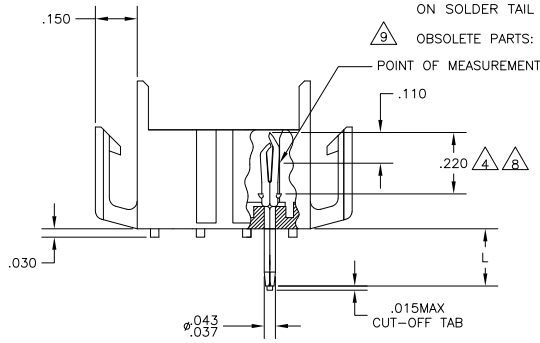
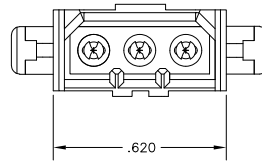
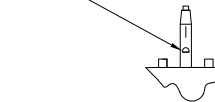
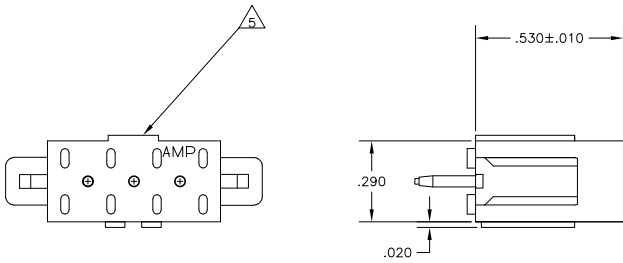


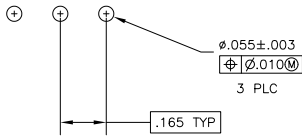
THIS DRAWING IS UNPUBLISHED. RELEASED FOR PUBLICATION
 © COPYRIGHT - By - ALL RIGHTS RESERVED.

LOC	DIST	REVISIONS			
P	LTR	DESCRIPTION	DATE	BY	APPD
CM	0				
	R2	REVISED PER ECO-11-004917	11MAR11	RK	HMR

ANTI SOLDER WICKING TAB



1. FITS SOCKET HOUSING 640518.
2. ASSEMBLY CONFORMS TO AMP SOLDERABILITY SPEC. 109-11-3.
3. FOR USE WITH .063 THICK P.C. BOARD.
4. CONTACT IS PLATED OVERALL WITH .000050 NICKEL, THEN .000030 GOLD OVER CONTACT LENGTH INDICATED AND .000150 MATTE TIN-LEAD ON SOLDER TAIL END.
5. UL AND CSA LOGO LOCATED ON THIS SURFACE.
6. FOR USE WITH .120 THICK P.C. BOARD.
7. FOR USE WITH .093 THICK P.C. BOARD.
8. CONTACT IS PLATED OVERALL WITH .000050 NICKEL, THEN .000030 GOLD OVER CONTACT LENGTH INDICATED AND .000150 MATTE TIN ON SOLDER TAIL END.
9. OBSOLETE PARTS: OBSOLETE CIS STREAMLINING PER D.RENAUD/D.SINISI



RECOMMENDED P.C. BOARD LAYOUT

IN	MM	IN	MM	IN	MM
.020	0.51	.165	4.19	-	-
.015	0.38	.150	3.81	-	-
.010	0.25	.110	2.79	.620	15.75
.008	0.20	.063	1.60	.530	13.46
.005	0.13	.055	1.40	.290	7.37
.003	0.08	.043	1.09	.220	5.59
.000050	0.00127	.037	0.94	.210	5.33
.000030	0.00076	.030	0.76	.180	4.57
IN	MM	IN	MM	IN	MM

CONVERSION TABLE

METRIC

OBsolete	.180	BRICK RED	GOLD	2-640498-6
	.210	BRICK RED	GOLD	2-640498-4
	.150	BRICK RED	GOLD	2-640498-2
OBsolete	.180	BRICK RED	GOLD	640498-6
	.210	BRICK RED	GOLD	640498-4
	.210	BRICK RED	PRE-TIN	640498-3
	.150	BRICK RED	GOLD	640498-2
	.150	BRICK RED	PRE-TIN	640498-1
	.150 ± .010 / -.020	HOUSING COLOR	PIN FINISH	PART NUMBER

THIS DRAWING IS A CONTROLLED DOCUMENT.

DIMENSIONS: INCHES	DESIGNED BY: J. HUFFMAN 27AF998	DATE: 27AF998	REV: 0
OTHER DIMENSIONS: MILLIMETERS	CHK: SWING 27AF998	APPD: T. BEDDICK 27AF998	NAME: TE Connectivity
MATERIAL: HOUSING: FLAME RETARDANT SWITCH: UL 94V-0 PIN: 008 PH. BRZ.	APPLICATION SPEC: -	SIZE: A2	CAGE CODE: 00779
FINISH: -	HEIGHT: -	DRAWING NO: 640498	RESTRICTED TO: -
SEE TABLE	CUSTOMER DRAWING	SCALE: 4:1	SHEET: 1 of 1