

4

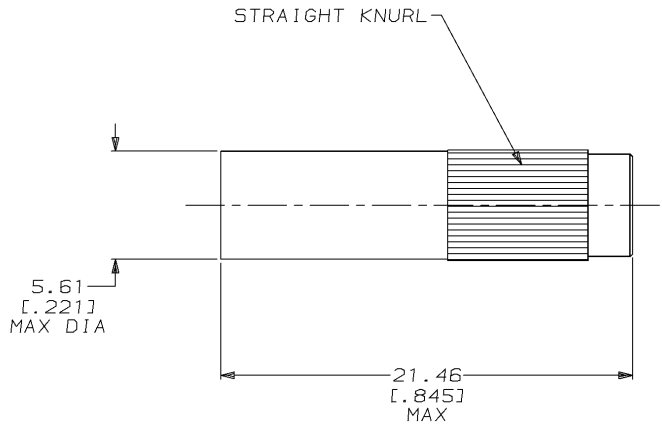
3

2

1

THIS DRAWING IS UNPUBLISHED. RELEASED FOR PUBLICATION
 BY AMP INCORPORATED. ALL RIGHTS RESERVED.

LOC	DIST	REVISIONS			
P	LTR	DESCRIPTION	DATE	DWN	APVD
G	86				
		D	REVISED & REDRAWN PER 0720-0856-96	21JUN96	DKS WJV



53853-2
 AMP
 PART NUMBER

<small>THIS DRAWING IS A CONTROLLED DOCUMENT FOR AMP INCORPORATED. IT IS SUBJECT TO CHANGE AND THE CONTROLLING ENGINEERING ORGANIZATION SHOULD BE CONTACTED FOR THE LATEST REVISION.</small>		DWN	DK SCHRUM	21JUN96	AMP Incorporated Harrisburg, PA 17105-3608
DIMENSIONS: <small>mm [INCHES]</small>		CHK	WJ VOCKROTH	25JUN96	
TOLERANCES UNLESS OTHERWISE SPECIFIED: 0 PLC ±- 1 PLC ±- 2 PLC ±0.20 [0.008] 3 PLC ±- 4 PLC ±- ANGLES ±-		APVD	JL MECKLEY	25JUN96	NAME
		PRODUCT SPEC APPLICATION SPEC		PIN, QUICK-DISCONNECT, AMPOWER™	
MATERIAL	BRASS PER QQ-B-626	FINISH	SILVER PL 0.00508 [0.000200] MIN THK PER QQ-S-365	WEIGHT	- lbs
AMP 1470-19 REV 09MAY94 21-JUN-96 13:56:35 amp26463 /f/l/les/dept1123/dwg1123/u.ampower/u.quick-disc		SIZE	A3	CAGE CODE	00779
		DRAWING NO	53853		SCALE
		CUSTOMER DRAWING			5:1
				SHEET	7 OF 1
				REV	D