

|                                 |           |           |  |                           |  |  |         |     |      |
|---------------------------------|-----------|-----------|--|---------------------------|--|--|---------|-----|------|
| MATED WITH:<br>PASSEND ZU:<br>- | LOC<br>AI | DIST<br>- | REVISIONS<br>ÄNDERUNGEN<br>DESCRIPTION<br>BESCHREIBUNG |                           |  |  | DATE    | DWN | APVD |
|                                 |           |           | P  | LTR                       |  |  |         |     |      |
| PROJEKT NR.: -                  |           |           | C1   | REVISED PER ECO-11-005150 |  |  | 21MAR11 | RK  | HMR  |

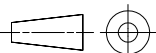

Customer Drawing  
for PN 964263

SEE 1355045

RELEASED FOR PUBLICATION  
FREI FÜR VERÖFFENTLICHUNG  
ALL RIGHTS RESERVED.  
ALLE RECHTE VORBEHALTEN

THIS DRAWING IS UNPUBLISHED.  
VERTRAULICHE UNVERÖFFENTLICHTE ZEICHNUNG.  
By -  
COPYRIGHT -

| -                | -       | -    | -    | -        | -             | -           | - |
|------------------|---------|------|------|----------|---------------|-------------|---|
| CUSTOMER PART NO | PART NO | REV. | PCS. | MATERIAL | SURFACE COLOR | DESCRIPTION |   |

|  |                                   |  |                             |                        |  |                               |
|--|-----------------------------------|--|-----------------------------|------------------------|--|-------------------------------|
| DIMENSIONS:<br>DIMENSIONEN<br>mm<br><br>TOLERANCES UNLESS<br>OTHERWISE SPECIFIED:<br>ALLGEMEINTOLERANZEN<br>p. ISO 8015 - mh - E<br>p. ISO 2768 - 140<br>p. DIN 16901<br>0 PLC ± -<br>1 PLC ± -<br>2 PLC ± -<br>3 PLC ± -<br>4 PLC ± -<br>ANGLES/WINKEL ± -<br><br> | DWN<br>T.Bersch<br>27-MAY-98      | MATERIAL   | FINISH<br>OBERFLAECHE/FARBE | -                      |  |                               |
|  | CHK<br>V. Huhn<br>18-MAY-00       |  TE Connectivity |                             |                        |  |                               |
|  | APVD<br>M. Bleicher<br>19-MAY-00  |  |                             |                        |  |                               |
|  | PRODUCT SPEC<br>PRODUKTSPEZ.<br>- | NAME<br>MICRO TIMER 2 CONTACT TYP A<br>MICRO TIMER 2 KONTAKT TYP A                                   | SIZE<br>A4                  | CAGE CODE<br>00779     | DRAWING NO<br>ZEICHNUNGS-NR.<br>C-964263 | RESTRICTED TO<br>NUR FÜR<br>- |
| APPLICATION SPEC<br>VERARBEITUNGSSPEZ.<br>-  | WEIGHT<br>GEWICHT<br>-            | CUSTOMER DRAWING / KUNDENZEICHNUNG   |                             | SCALE<br>MASSSTAB<br>- | SHEET<br>BLATT<br>1 OF<br>VON 1          | REV<br>C1                     |