

4

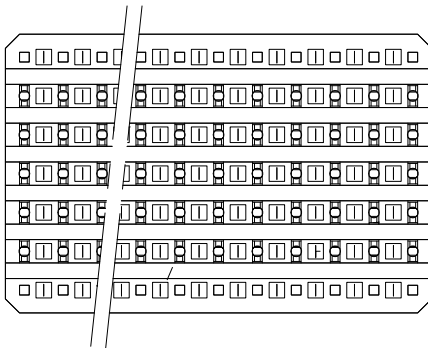
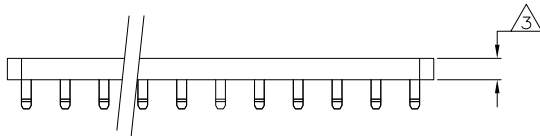
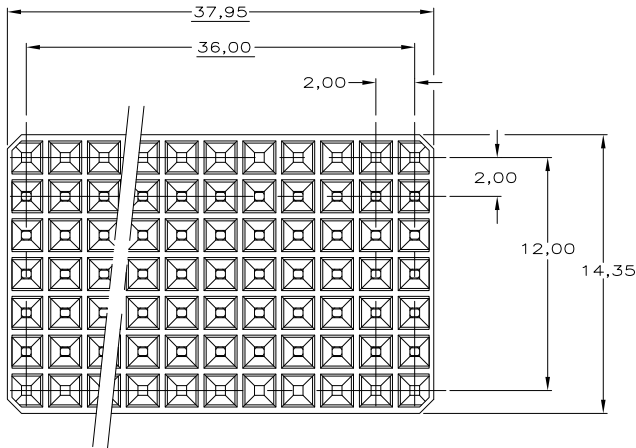
3

2

1

THIS DRAWING IS UNPUBLISHED. RELEASED FOR PUBLICATION  
 © COPYRIGHT - BY TYCO ELECTRONICS CORPORATION. ALL INTERNATIONAL RIGHTS RESERVED.

LOC		DIST		REVISIONS			
P	LTR	DESCRIPTION		DATE	DWN	APVD	
C		REVISED PER ECO-11-001163		17JAN11	RC	CW	



NOTES:

- 1. MATERIAL: UNFILLED POLYESTER.(GREY)
- 2. 0-352012-3 AS SHOWN.
- △ VARIABLE HEIGHT.
- △ TO DETERMINE THE RECOMMENDED SPACER-THICKNESS FOR A GIVEN PCB THICKNESS: SEE APPLICATION SPECIFICATION 114-19031.
- △ OBSOLETE PARTS: OBSOLETE CIS STREAMLINING PER D.RENAUD/D.SINISI

	PARTNUMBER	△ DIM "A"
OBSOLETE	0-352012-1	0,7
	0-352012-2	0,9
△	0-352012-3	1,1
OBSOLETE	0-352012-4	1,3
	0-352012-5	1,5
OBSOLETE	0-352012-6	1,7
△	0-352012-7	1,9

THIS DRAWING IS A CONTROLLED DOCUMENT.		DWN D. TRUREN 16-AUG-96	Tyco Electronics Corporation Harrisburg, PA 17105-3608	
DIMENSIONS: mm		CHK EvKONINGSBRUGGE 24 JUN 1997	NAME Z-PACK 2mm HM SPACER, TYPE B 19 COLUMNS	
TOLERANCES UNLESS OTHERWISE SPECIFIED: ±0.2		APVD EvKONINGSBRUGGE 24 JUN 1997	RESTRICTED TO	
0 PLC ±		PRODUCT SPEC 108-19082	SIZE A3	
1 PLC ±		APPLICATION SPEC 114-19029	CAGE CODE 00779	DRAWING NO 0-352012
2 PLC ±		WEIGHT -	SHEET 1 OF 1	
3 PLC ±		MATERIAL -	REV C	
4 PLC ±		FINISH -	CUSTOMER DRAWING	
ANGLES ±		SCALE -		