

4

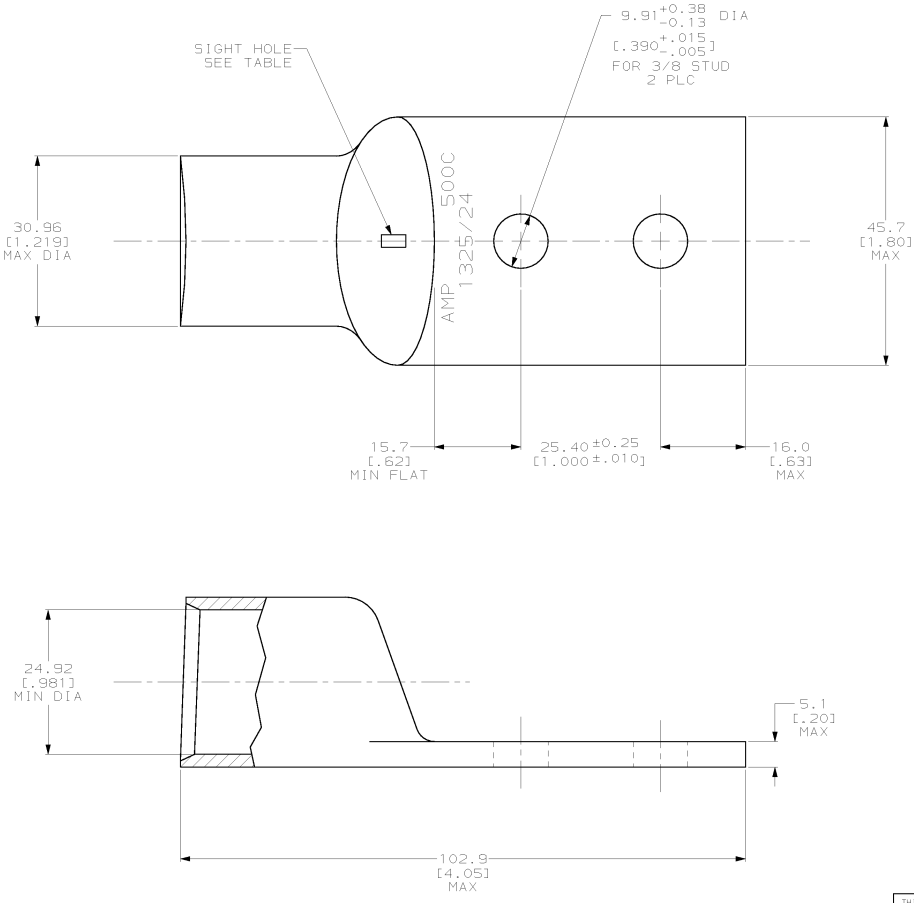
3

2

1

THIS DRAWING IS UNPUBLISHED. RELEASED FOR PUBLICATION. .19
 © COPYRIGHT 19 BY AMP INCORPORATED. ALL RIGHTS RESERVED.

LOC	DIST	REVISIONS					
G	86	F	LTR	DESCRIPTION	DATE	ENR	APPD
		V		REV PER 063A-0561-01	09OCT02	JR	MS



- 1 CIRCULAR MIL AREA RANGE: 450-550 MCM
- 2 COPPER PER ASTM B-75 ANNEALED
- 3 TIN PL 0.00381 [0.00150] MIN THK PER ASTM B-545

NONE	326808-3
REDD	326808
SIGHT HOLE	AMP PART NUMBER

THIS DRAWING IS A CONTROLLED DOCUMENT.		DR - SCHEUM 24SEP97	AMP AMP Incorporated Harrisburg, PA 17105-3608
DIMENSIONS IN (INCHES)		CHK - VORDEROTH 25SEP97	
TOLERANCES UNLESS OTHERWISE SPECIFIED:		APPD - J. BECKLEY 25SEP97	NAME: TERMINAL, AMPPOWER™ WIRE SIZE: 500 MCM
Ø PLC	± .005	PRODUCT SPEC: 108-30200	
Ø PLC	± .01 (0.020)	APPLICATION SPEC: -	WEIGHT: .401 Lbs
Ø PLC	± .01	FINISH: -	SCALE: 2:1
Ø PLC	± .01	MATERIAL: -	SHEET: 1 OF 1
Ø PLC	± .01	REVISIONS: -	REV: V
Ø PLC	± .01	CUSTOMER DRAWING	

AMP 1471-9 REV 11/04/97
 24-SEP-97 15:23:59 amp3643 /vs/dep1123/dwg123/u.ampower/u.ncst-tenque

326808

A