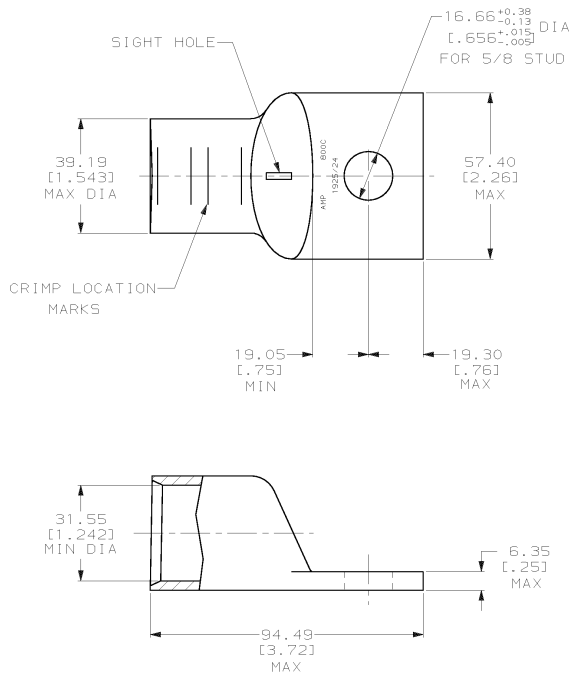


DRAWING MADE IN THIRD ANGLE PROJECTION
 THIS DRAWING IS UNPUBLISHED. RELEASED FOR PUBLICATION .19
 © COPYRIGHT 19 BY AMP INCORPORATED. ALL INTERNATIONAL RIGHTS RESERVED.

LOC		DIST		ZONE		LTR		REVISIONS		DATE	APPD
6	86	P	F					K	REV PER 063A-0561-01	090CT02	JR/H5



1 CIRCULAR MIL RANGE: 750-850 MCM
 TIN PL 0.00381 [0.000150] MIN THK PER MIL-T-10727

METRIC

		326406	
		PART NO	
DO NOT SCALE PRINT. UNLESS SPECIFIED DIMENSIONS IN mm (INCHES) TOLERANCES ON: 2 PLC DEC ± 0.51 (0.020) 3 PLC DEC ± - ANGLES ± -		DR 02/28/90 DK SCHIRM	
MATERIAL ANNEALED COPPER ASTM B-75		CHK 25JAN95 MS FEHER	
FINISH △		APPD 25JAN95 WJ VOCKROTH	
APPLICATION SPEC -		APPD 25JAN95 TL SHUTTER	
WEIGHT .583 LB		PRODUCT SPEC 108-30200	
SIZE C		NAME TERMINAL, AMPPOWER, WIRE SIZE: 800 MCM	
SCALE 1:1		CAGE CODE 00779	
		DRAWING NO 326406	
		SHEET 1 OF 1	