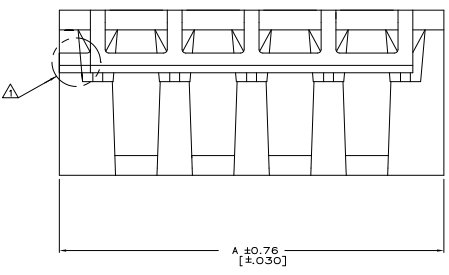
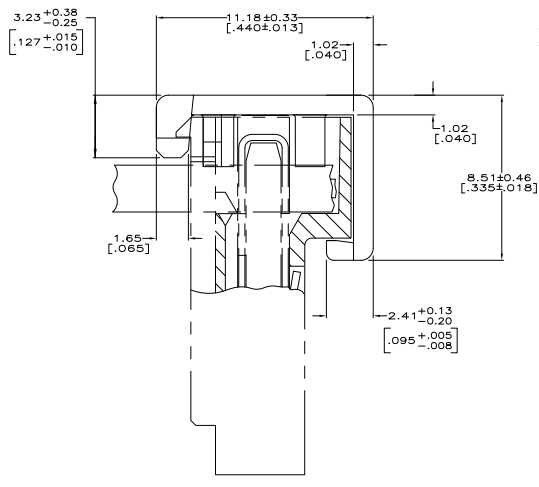


THIS DRAWING IS UNPUBLISHED
 ALL RIGHTS RESERVED

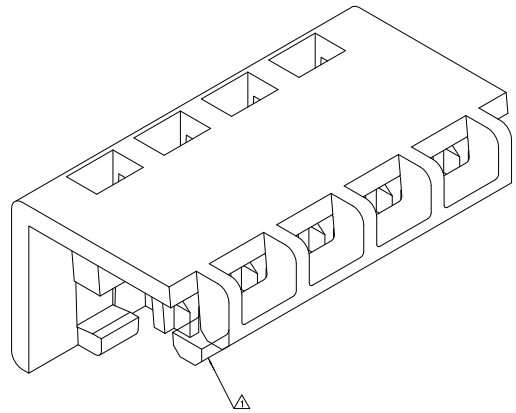
REV	DATE	DESCRIPTION	BY	CHK	APP
CM 54		REVISED PER EDD-11-004587	11MR11	RK	HMR



A 40.76
[±0.030]



- △ PART MAY BE MOLDED TO DESIRED POSITION SIZE OR CUT TO DESIRED POSITION SIZE FROM A LARGER POSITION SIZE PART. WHEN PART IS CUT TO DESIRED POSITION SIZE, A PORTION OF FRONT LOCKING BAR WILL REMAIN ATTACHED.
- DIMENSIONS IN BRACKETS ARE IN INCHES.
 - TWO POSITION (-2) PARTS WILL BE MOLDED ONLY.



3-DIMENSIONAL MODEL
 NTS

24	CIRCUIT ASSEMBLIES	95.10	[3.744]	2-643067-4
23	CIRCUIT ASSEMBLIES	91.14	[3.588]	2-643067-3
22	CIRCUIT ASSEMBLIES	87.17	[3.432]	2-643067-2
21	CIRCUIT ASSEMBLIES	83.21	[3.276]	2-643067-1
20	CIRCUIT ASSEMBLIES	79.25	[3.120]	2-643067-0
19	CIRCUIT ASSEMBLIES	75.29	[2.964]	1-643067-9
18	CIRCUIT ASSEMBLIES	71.32	[2.808]	1-643067-8
17	CIRCUIT ASSEMBLIES	67.36	[2.652]	1-643067-7
16	CIRCUIT ASSEMBLIES	63.40	[2.496]	1-643067-6
15	CIRCUIT ASSEMBLIES	59.44	[2.340]	1-643067-5
14	CIRCUIT ASSEMBLIES	55.47	[2.184]	1-643067-4
13	CIRCUIT ASSEMBLIES	51.51	[2.028]	1-643067-3
12	CIRCUIT ASSEMBLIES	47.55	[1.872]	1-643067-2
11	CIRCUIT ASSEMBLIES	43.59	[1.716]	1-643067-1
10	CIRCUIT ASSEMBLIES	39.62	[1.560]	1-643067-0
9	CIRCUIT ASSEMBLIES	35.66	[1.404]	643067-9
8	CIRCUIT ASSEMBLIES	31.70	[1.248]	643067-8
7	CIRCUIT ASSEMBLIES	27.74	[1.092]	643067-7
6	CIRCUIT ASSEMBLIES	23.77	[.936]	643067-6
5	CIRCUIT ASSEMBLIES	19.81	[.780]	643067-5
4	CIRCUIT ASSEMBLIES	15.85	[.624]	643067-4
3	CIRCUIT ASSEMBLIES	11.89	[.468]	643067-3
2	CIRCUIT ASSEMBLIES	7.92	[.312]	643067-2

USE ON MTA 156 ASSEMBLIES AS LISTED

THIS DRAWING IS A CONTROLLED DOCUMENT		REV. 1	DATE 11-11-11
DESIGNED BY	DESIGNED BY	DATE	DATE
DRWING NO. 00779	REV. 1	DATE 11-11-11	DATE 11-11-11

TE Connectivity
 COVER, MOLDED, .095 MAX
 O.D. WIRE, MTA-156

SIZE: 10:1
 DRAWING NO: 00779
 PART NO: 643067