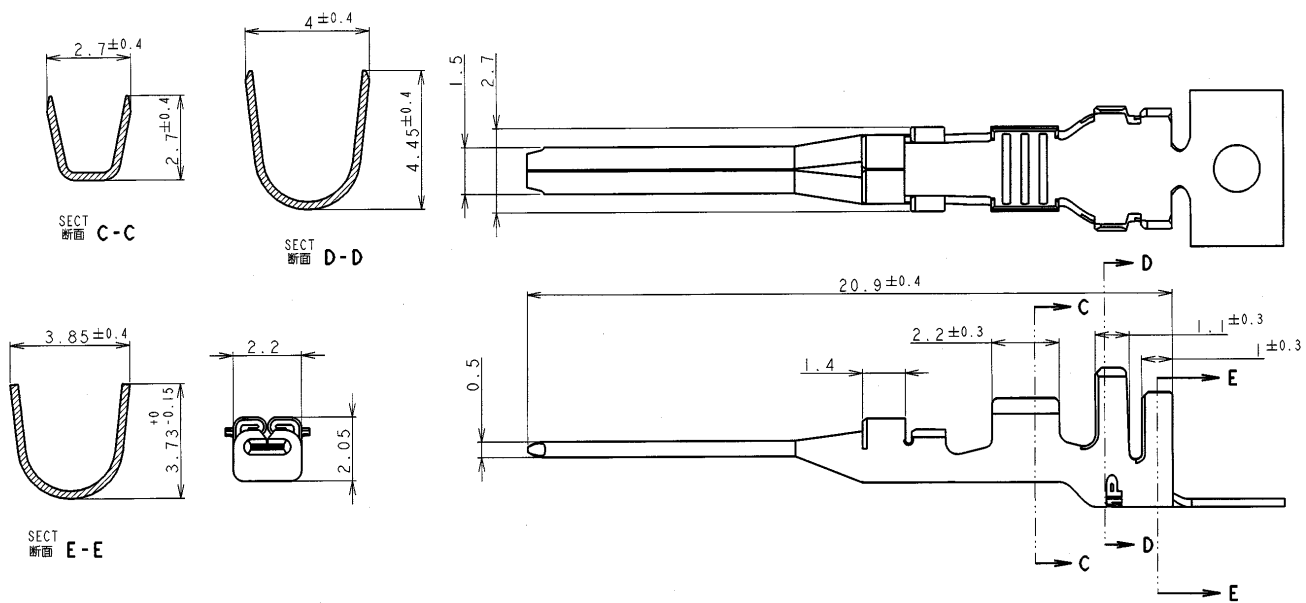


THIS DRAWING IS UNPUBLISHED. RELEASED FOR PUBLICATION .19
 © COPYRIGHT 19 BY AMP INCORPORATED. ALL RIGHTS RESERVED.

REVISIONS						
F	LTR	DESCRIPTION	ECN	DATE	DWN	APVD
C		REVISED	FJ00-0401-99	9.MAR99	CWL	



NOTES:
 1. APPLICABLE SPECIFICATIONS:
 PRODUCT SPEC: 108-5616
 APPLICATION SPEC: 114-5256

1123910-1
 PART NUMBER

WIRE RANGE 0.51-1.38mm ² (AWG #20-#16)	INSULATION DIA 1.8-3.1mm
AMP 株式会社アールピー Kawasaki, Japan	
NAME: POWER TAB CONTACT FOR AMP MINI CT LATTICE CONNECTOR	
SIZE: A3	CAGE CODE: 00779
DRAWING NO: 1123910	
RESTRICTED TO	
CUSTOMER DRAWING	
SCALE: 8:1	SHEET 1 OF 1

THIS DRAWING IS A CONTROLLED DOCUMENT FOR AMP INCORPORATED. IT IS SUBJECT TO CHANGE AND THE CONTROLLING ENGINEERING ORGANIZATION SHOULD BE CONTACTED FOR THE LATEST REVISION.	
DIMENSIONS: ㎜: ㎞ Tim	TOLERANCES UNLESS OTHERWISE SPECIFIED: -0.02mm 10> : ±0.2 30> : ±0.25 100> : ±0.3 ANGLE : 3°
MATERIAL: COPPER ALLOY	FINISH: PRE-TIN

DRW: W. L. CHOO	10. JUN '98
CHK: J. TANIGAWA	11. JUN '98
APPR: S. Kobayashi	9. MAR '99
PRODUCT SPEC: 108-5616	
APPLICATION SPEC: 114-5256	
WEIGHT: -	