

4

3

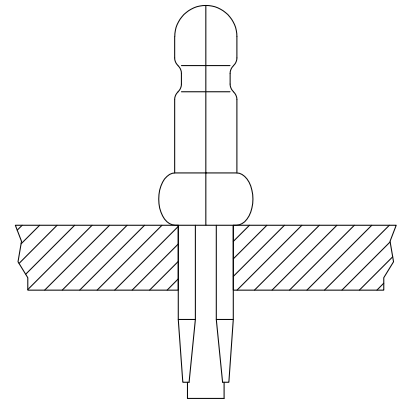
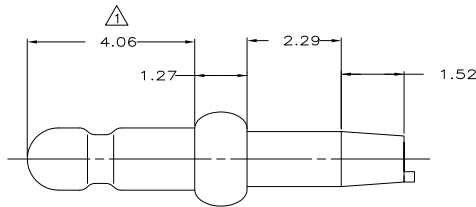
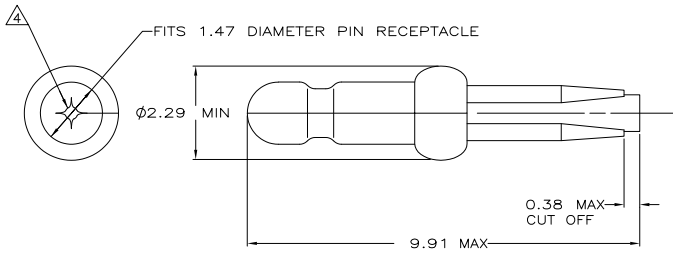
2

1

THIS DRAWING IS UNPUBLISHED. RELEASED FOR PUBLICATION
 © COPYRIGHT - By - ALL RIGHTS RESERVED.

LOC	DIST	REVISIONS		
F	LNK	DESCRIPTION	DATE	BY
CM	0			
	AJ2	REVISED PER ECO-11-004917	11MAR11	RK HMR

- △ 0.00076 MIN GOLD PLATING IN THIS AREA WITH 0.00381 MIN MATTE TIN LEAD ON THE REMAINDER, BOTH OVER 0.00127 MIN NICKEL UNDERPLATE.
- 2. FITS 1.17 - 1.27 DIAMETER HOLE IN A 1.57 OR 2.36 PRINTED CIRCUIT BOARD.
- 3. PARTS TO COMPLY WITH AMP SOLDERABILITY SPECIFICATION 109-11-3.
- △ 0.05 - 0.25 DIAMETER OPENING REQUIRED IN TIP OF PIN.
- 5. APPLICATOR FEED: 8.00 - 8.26
- △ 0.00076 MIN GOLD PLATING IN THIS AREA WITH 0.00381 MIN MATTE TIN ON THE REMAINDER, BOTH OVER 0.00127 MIN NICKEL UNDERPLATE.



△	3-60803-1
PRE TIN	60803-2
△	60803-1
FINISH	PART NUMBER

0.13	.005	1.27	.050	2.36	.093	-	-
0.05	.002	1.17	.046	2.29	.090	9.91	.390
0.00381	0.000150	1.12	.044	1.57	.062	8.26	.325
0.00127	0.000050	0.38	.015	1.52	.060	8.00	.315
0.00076	0.000030	0.25	.010	1.47	.058	4.06	.160
MM	IN	MM	IN	MM	IN	MM	IN

CONVERSION TABLE

METRIC

DIMENSIONS:		TOLERANCES UNLESS OTHERWISE SPECIFIED:		DATE	
mm		0 PLG	± -	7-28-97	
		1 PLG	± -	7-28-97	
		2 PLG	± 0.13		
		3 PLG	± -		
		4 PLG	± -		
		ANGLES	± -		
		FINISH	SEE TABLE		

THIS DRAWING IS A CONTROLLED DOCUMENT.	DRN	T. BECK	7-28-97
	CHK	R. SWING	7-28-97
	APPD	A. BRIDGICK	9-10-97
	NAME		
	PRODUCT SPEC	108-1025	
	APPLICATION SPEC	114-1008	
	WEIGHT	-	
MATERIAL	0.25 PH BRZ	SIZE	ONE CODE (DRAWING NO)
		A2	00779
		C	60803
		RESTRICTED TO	
		CUSTOMER DRAWING	
		SCALE	15:1
		SHEET	1 of 1
		REV	AJ2

TE Connectivity

PIN, .058 DIAMETER, PHOSPHOR BRONZE, PRESS FIT, LOOSE PIECE, P.C. CONTACT