

4

3

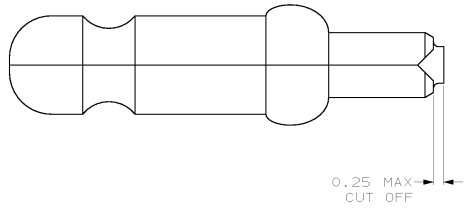
2

1

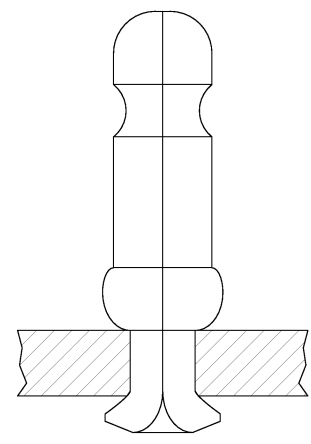
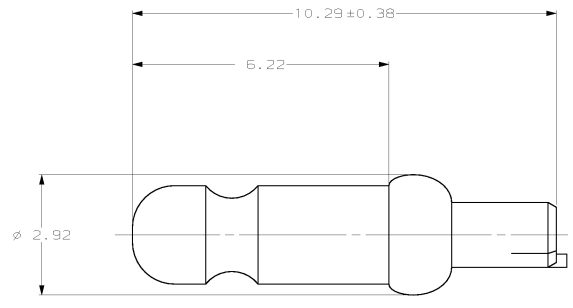
THIS DRAWING IS UNCLASSIFIED
 RELEASED FOR PUBLICATION
 (C) COPYRIGHT IS BY AMP INCORPORATED. ALL RIGHTS RESERVED.

REV	DATE	DESCRIPTION	DATE	BY	APP'D
CM	52				
K		REV & REDWN PER EC DL30-0176-97	8-27-97	TB	RS

1. FITS 1.70 - 1.85 DIAMETER HOLE IN A 1.57 PRINTED CIRCUIT BOARD.
2. PARTS TO COMPLY WITH AMP SOLDERABILITY SPECIFICATION 109-11-1.



0.25 MAX
CUT OFF



350491-1
PART NUMBER

MM	IN	MM	IN	MM	IN	MM	IN
0.38	.015	2.34	.092	3.18	.125	-	-
0.32	.013	1.85	.073	2.92	.115	-	-
0.25	.010	1.70	.067	2.44	.096	10.29	.405
0.13	.005	1.57	.062	2.36	.093	6.22	.245

CONVERSION TABLE

METRIC

THIS DRAWING IS A CONTROLLED DOCUMENT		DWG. T. BECK 8-27-97 CHK. SWING 8-27-97 DES. BRIDG/CK 9-10-97 PROD. SPEC 108-1025 APPLICATION SPEC 114-1008 REWORK - CUSTOMER DRAWING	AMP AMP Incorporated Harrisburg, PA 17105-3608 P-IN, .093 DIAMETER, PHOSPHER BRONZE, CLINCH FIT, LOOSE PIECE, P.C. CONTACT FILE CODE: DRAWING NO. A200779 350491
DIMENSIONS: mm UNLESS OTHERWISE SPECIFIED: 1. ALL DIMENSIONS ARE TO BE HOLE DIMENSIONS 2. ALL DIMENSIONS ARE TO BE HOLE DIMENSIONS 3. ALL DIMENSIONS ARE TO BE HOLE DIMENSIONS 4. ALL DIMENSIONS ARE TO BE HOLE DIMENSIONS 5. ALL DIMENSIONS ARE TO BE HOLE DIMENSIONS 6. ALL DIMENSIONS ARE TO BE HOLE DIMENSIONS 7. ALL DIMENSIONS ARE TO BE HOLE DIMENSIONS 8. ALL DIMENSIONS ARE TO BE HOLE DIMENSIONS 9. ALL DIMENSIONS ARE TO BE HOLE DIMENSIONS 10. ALL DIMENSIONS ARE TO BE HOLE DIMENSIONS 11. ALL DIMENSIONS ARE TO BE HOLE DIMENSIONS 12. ALL DIMENSIONS ARE TO BE HOLE DIMENSIONS 13. ALL DIMENSIONS ARE TO BE HOLE DIMENSIONS 14. ALL DIMENSIONS ARE TO BE HOLE DIMENSIONS 15. ALL DIMENSIONS ARE TO BE HOLE DIMENSIONS 16. ALL DIMENSIONS ARE TO BE HOLE DIMENSIONS 17. ALL DIMENSIONS ARE TO BE HOLE DIMENSIONS 18. ALL DIMENSIONS ARE TO BE HOLE DIMENSIONS 19. ALL DIMENSIONS ARE TO BE HOLE DIMENSIONS 20. ALL DIMENSIONS ARE TO BE HOLE DIMENSIONS 21. ALL DIMENSIONS ARE TO BE HOLE DIMENSIONS 22. ALL DIMENSIONS ARE TO BE HOLE DIMENSIONS 23. ALL DIMENSIONS ARE TO BE HOLE DIMENSIONS 24. ALL DIMENSIONS ARE TO BE HOLE DIMENSIONS 25. ALL DIMENSIONS ARE TO BE HOLE DIMENSIONS 26. ALL DIMENSIONS ARE TO BE HOLE DIMENSIONS 27. ALL DIMENSIONS ARE TO BE HOLE DIMENSIONS 28. ALL DIMENSIONS ARE TO BE HOLE DIMENSIONS 29. ALL DIMENSIONS ARE TO BE HOLE DIMENSIONS 30. ALL DIMENSIONS ARE TO BE HOLE DIMENSIONS 31. ALL DIMENSIONS ARE TO BE HOLE DIMENSIONS 32. ALL DIMENSIONS ARE TO BE HOLE DIMENSIONS 33. ALL DIMENSIONS ARE TO BE HOLE DIMENSIONS 34. ALL DIMENSIONS ARE TO BE HOLE DIMENSIONS 35. ALL DIMENSIONS ARE TO BE HOLE DIMENSIONS 36. ALL DIMENSIONS ARE TO BE HOLE DIMENSIONS 37. ALL DIMENSIONS ARE TO BE HOLE DIMENSIONS 38. ALL DIMENSIONS ARE TO BE HOLE DIMENSIONS 39. ALL DIMENSIONS ARE TO BE HOLE DIMENSIONS 40. ALL DIMENSIONS ARE TO BE HOLE DIMENSIONS 41. ALL DIMENSIONS ARE TO BE HOLE DIMENSIONS 42. ALL DIMENSIONS ARE TO BE HOLE DIMENSIONS 43. ALL DIMENSIONS ARE TO BE HOLE DIMENSIONS 44. ALL DIMENSIONS ARE TO BE HOLE DIMENSIONS 45. ALL DIMENSIONS ARE TO BE HOLE DIMENSIONS 46. ALL DIMENSIONS ARE TO BE HOLE DIMENSIONS 47. ALL DIMENSIONS ARE TO BE HOLE DIMENSIONS 48. ALL DIMENSIONS ARE TO BE HOLE DIMENSIONS 49. ALL DIMENSIONS ARE TO BE HOLE DIMENSIONS 50. ALL DIMENSIONS ARE TO BE HOLE DIMENSIONS 51. ALL DIMENSIONS ARE TO BE HOLE DIMENSIONS 52. ALL DIMENSIONS ARE TO BE HOLE DIMENSIONS 53. ALL DIMENSIONS ARE TO BE HOLE DIMENSIONS 54. ALL DIMENSIONS ARE TO BE HOLE DIMENSIONS 55. ALL DIMENSIONS ARE TO BE HOLE DIMENSIONS 56. ALL DIMENSIONS ARE TO BE HOLE DIMENSIONS 57. ALL DIMENSIONS ARE TO BE HOLE DIMENSIONS 58. ALL DIMENSIONS ARE TO BE HOLE DIMENSIONS 59. ALL DIMENSIONS ARE TO BE HOLE DIMENSIONS 60. ALL DIMENSIONS ARE TO BE HOLE DIMENSIONS 61. ALL DIMENSIONS ARE TO BE HOLE DIMENSIONS 62. ALL DIMENSIONS ARE TO BE HOLE DIMENSIONS 63. ALL DIMENSIONS ARE TO BE HOLE DIMENSIONS 64. ALL DIMENSIONS ARE TO BE HOLE DIMENSIONS 65. ALL DIMENSIONS ARE TO BE HOLE DIMENSIONS 66. ALL DIMENSIONS ARE TO BE HOLE DIMENSIONS 67. ALL DIMENSIONS ARE TO BE HOLE DIMENSIONS 68. ALL DIMENSIONS ARE TO BE HOLE DIMENSIONS 69. ALL DIMENSIONS ARE TO BE HOLE DIMENSIONS 70. ALL DIMENSIONS ARE TO BE HOLE DIMENSIONS 71. ALL DIMENSIONS ARE TO BE HOLE DIMENSIONS 72. ALL DIMENSIONS ARE TO BE HOLE DIMENSIONS 73. ALL DIMENSIONS ARE TO BE HOLE DIMENSIONS 74. ALL DIMENSIONS ARE TO BE HOLE DIMENSIONS 75. ALL DIMENSIONS ARE TO BE HOLE DIMENSIONS 76. ALL DIMENSIONS ARE TO BE HOLE DIMENSIONS 77. ALL DIMENSIONS ARE TO BE HOLE DIMENSIONS 78. ALL DIMENSIONS ARE TO BE HOLE DIMENSIONS 79. ALL DIMENSIONS ARE TO BE HOLE DIMENSIONS 80. ALL DIMENSIONS ARE TO BE HOLE DIMENSIONS 81. ALL DIMENSIONS ARE TO BE HOLE DIMENSIONS 82. ALL DIMENSIONS ARE TO BE HOLE DIMENSIONS 83. ALL DIMENSIONS ARE TO BE HOLE DIMENSIONS 84. ALL DIMENSIONS ARE TO BE HOLE DIMENSIONS 85. ALL DIMENSIONS ARE TO BE HOLE DIMENSIONS 86. ALL DIMENSIONS ARE TO BE HOLE DIMENSIONS 87. ALL DIMENSIONS ARE TO BE HOLE DIMENSIONS 88. ALL DIMENSIONS ARE TO BE HOLE DIMENSIONS 89. ALL DIMENSIONS ARE TO BE HOLE DIMENSIONS 90. ALL DIMENSIONS ARE TO BE HOLE DIMENSIONS 91. ALL DIMENSIONS ARE TO BE HOLE DIMENSIONS 92. ALL DIMENSIONS ARE TO BE HOLE DIMENSIONS 93. ALL DIMENSIONS ARE TO BE HOLE DIMENSIONS 94. ALL DIMENSIONS ARE TO BE HOLE DIMENSIONS 95. ALL DIMENSIONS ARE TO BE HOLE DIMENSIONS 96. ALL DIMENSIONS ARE TO BE HOLE DIMENSIONS 97. ALL DIMENSIONS ARE TO BE HOLE DIMENSIONS 98. ALL DIMENSIONS ARE TO BE HOLE DIMENSIONS 99. ALL DIMENSIONS ARE TO BE HOLE DIMENSIONS 100. ALL DIMENSIONS ARE TO BE HOLE DIMENSIONS	MATERIAL: 0.32 PH BRZ FINISH: PRE TIN SCALE: 15:1 SHEET: 1 OF 1 REV: K		

AMP 1471-9 REV 27JAN96
 27-AUG-97 14:58:17 amp22338 /home/amp22338/junk/redraw.5lp

350491

A