

4

3

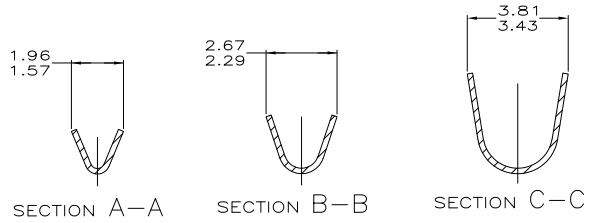
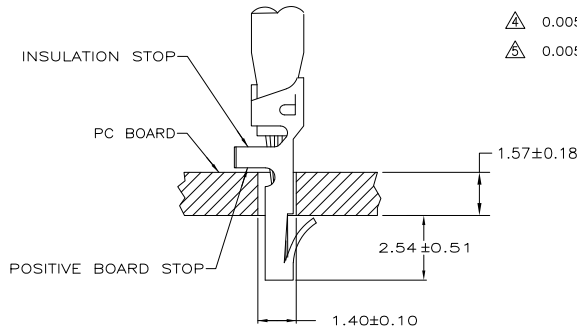
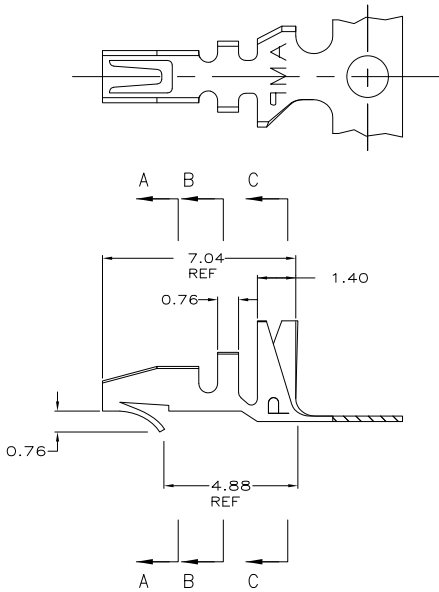
2

1

THIS DRAWING IS UNPUBLISHED. RELEASED FOR PUBLICATION.
 © COPYRIGHT BY TYCO ELECTRONICS CORPORATION. ALL RIGHTS RESERVED.

LOC	DIST	REVISIONS			
F	LNK	DESCRIPTION	DATE	BY	APPD
CM	00				
	D1	REV PER ECO 10-024400	01MAR11	JR	SM

- PARTS COMPLY WITH AMP SOLDERABILITY SPECIFICATION 109-11-2.
- WIRE RANGE: 0.12 - 0.4 MM² (26 - 22 AWG).
- INSULATION RANGE: 1.02 - 2.79
- 0.00508 MIN BRIGHT TIN-LEAD.
- 0.00508 MIN BRIGHT TIN.



	△5	3-794122-1
OBSOLETE	△4	794122-1
	FINISH	PART NO.

0.51	.020	2.29	.090	4.88	.192	-	-
0.20	.008	1.96	.077	3.81	.150	-	-
0.18	.007	1.57	.062	3.43	.135	-	-
0.13	.005	1.40	.055	2.79	.110	-	-
0.10	.004	1.02	.040	2.67	.105	-	-
0.00508	0.00200	0.76	.030	2.54	.100	7.04	.277
MM	IN	MM	IN	MM	IN	MM	IN

CONVERSION TABLE

METRIC

THIS DRAWING IS A CONTROLLED DOCUMENT.

DRW	S. CARPENTER	21AUG2003	Tyco Electronics Corporation Harrisburg, PA 17105
CHK	J. ELLIS	21AUG2003	
APP	J. ELLIS		TERMINAL MINI AMP-IN™ 2000
PROD	108-1081		
APP	114-1016		SIZE CASE CODE DRAWING NO
FINISH	0.20 PH BRZ		A2 00779 C=794122

CUSTOMER DRAWING SCALE 10:1 SHEET 1 OF 1 REV D1

794122

A

D

C

B

A

D

C

B

A